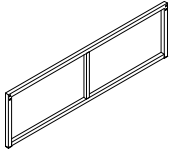
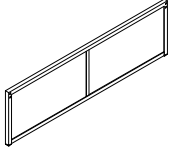
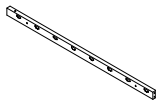
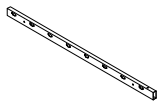
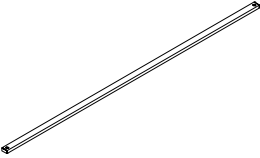
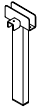
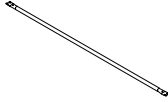
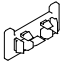
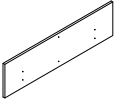
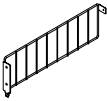
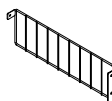
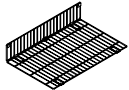



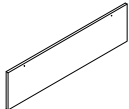







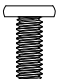

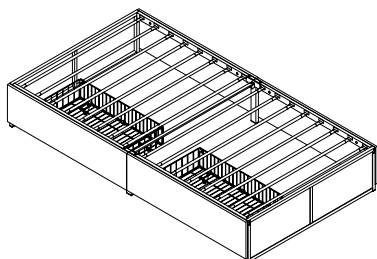


ASSEMBLY INSTRUCTION

PLATFORM TWIN BED WITH 2PCS STORAGE DRAWERS

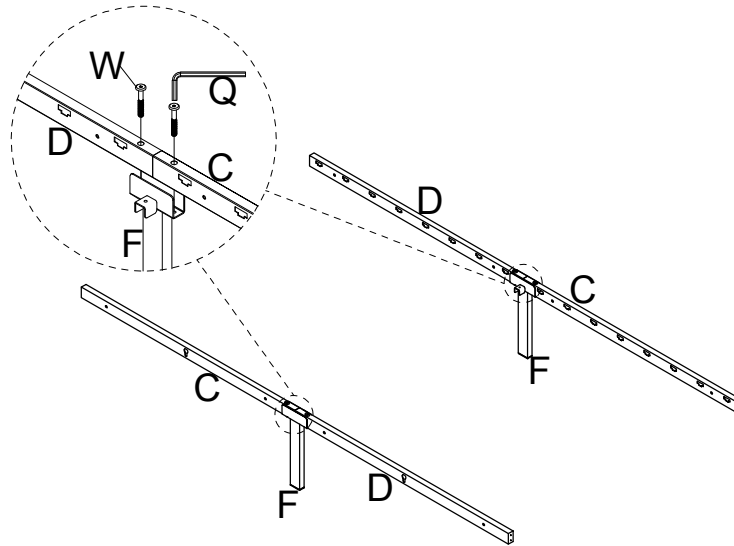
A Headboard 1PC 	B Footboard 1PC 	C Front Rail Section 2PCS 	D Rear Rail Section 2PCS 
E Center Support Bar 1PC 	F Rail Support Leg 2PCS 	G Slat 16PCS 	H Slat Connector 32PCS 
I Drawer Front Panel 2PCS 	J Drawer Left Side Frame 2PCS 	K Drawer Right Side Frame 2PCS 	L Drawer Bottom Frame 2PCS 
M Caster 2PCS 	N Drawer Panel Connector 2PCS 	O Drawer Frame Connector 2PCS 	P Bed Side Panel 2PCS 
Q L-Allen Key 4mm 8PCS 	R Bolt 1/4" x 13mm 2PCS 	S Bolt 1/4" x 32mm 4PCS 	T Bolt 1/4" x 7mm 2PCS 
U Bolt 1/4" x 19mm 1PC 	V Bolt 1/4" x 45mm 10PCS 	W Bolt 5/16" x 48mm 4PCS 	X Bolt 1/4" x 19mm 12PCS 
Y Washer 1/4" 2PCS 	8PCS	4PCS	2PCS
2PCS			



This page lists all the contents included in the box. Please take the time to identify the hardware as well as the individual components to this product. As you unpack and prepare for assembly, place the contents on a carpeted or padded area to protect them from damage.

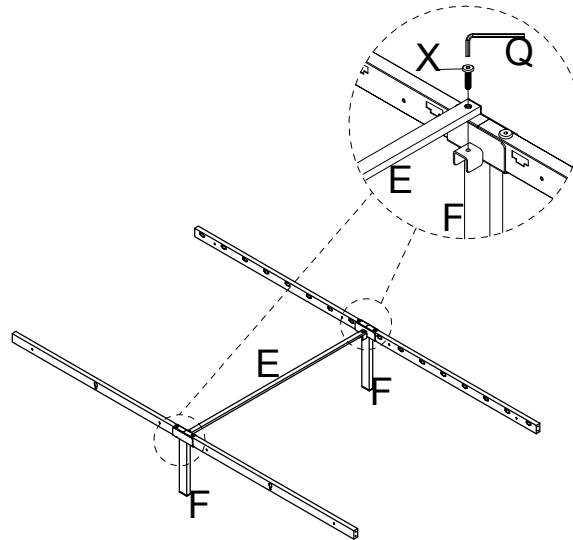
1

Attach Rail Support Leg (F) to Front & Rear Rail Section (C & D) using Bolt (W) with L-Allen Key (Q).



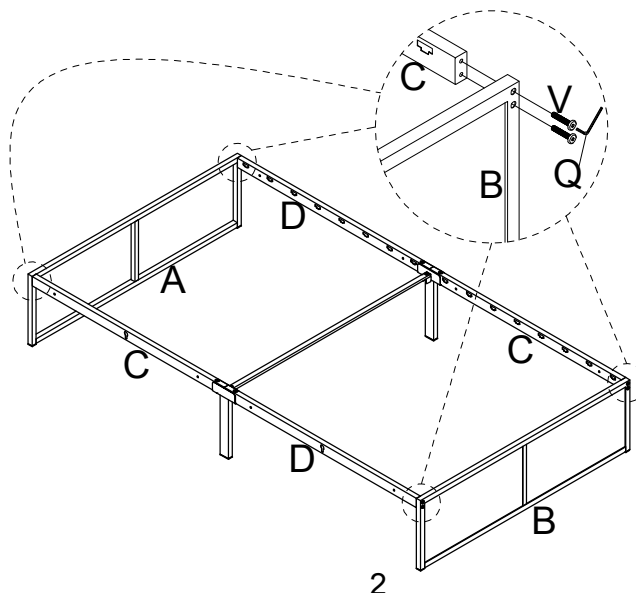
2

Attach Center Support Bar (E) to Rail Support Leg (F) using Bolt (X) with L-Allen Key (Q).



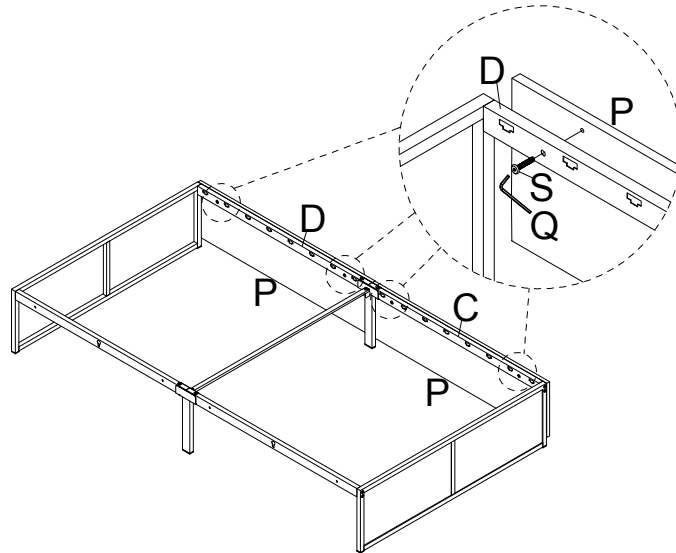
3

Attach Headboard (A) and Footboard (B) to Front & Rear Rail Section (C & D) using Bolt (V) with L-Allen Key (Q).

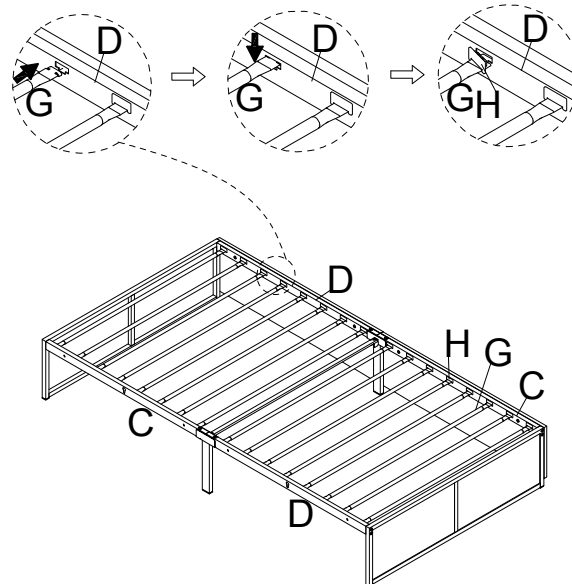


4

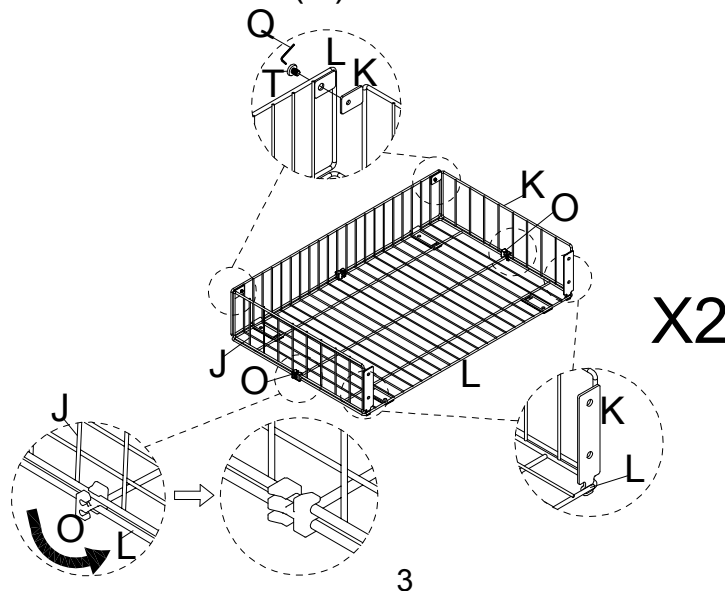
Attach Bed Side Panel (P) to Front & Rear Rail Section (C & D) using Bolt (S) with L-Allen Key (Q).

**5**

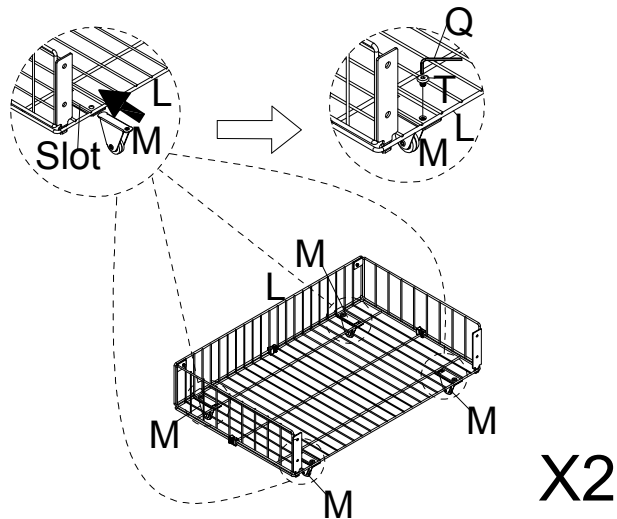
Insert Slat (G) into Front & Rear Rail Section (C & D) as shown. Then lock Slat Connector (H) to fix Slat (G).

**6**

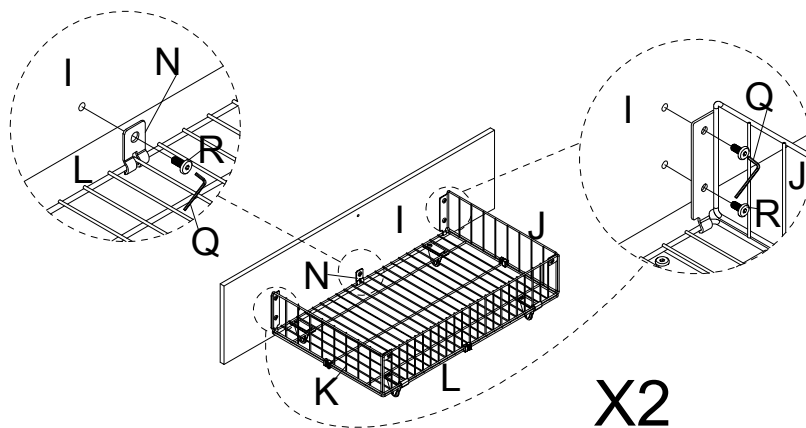
Hook Drawer Left & Right Side Frame (J & K) to Drawer Bottom Frame (L) and assemble them using Bolt (T) with L-Allen Key (Q). Then lock Drawer Frame Connector (O) as shown.



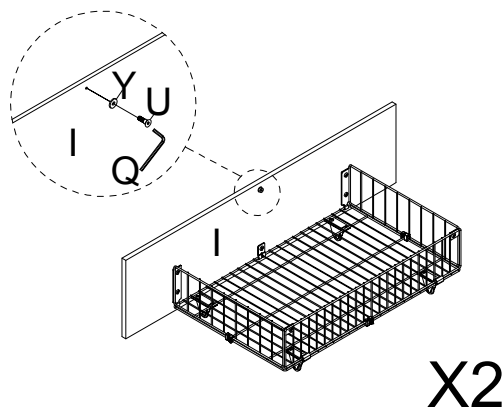
7 Insert Caster (M) into the Slot of Drawer Bottom Frame (L) and assemble them using Bolt (T) with L-Allen Key (Q).



8 Attach Drawer Front Panel (I) to Drawer Left & Right Side Frame (J & K) using Bolt (R) with L-Allen Key (Q). Then attach Drawer Panel Connector (N) to Drawer Bottom Frame (L) and Drawer Front Panel (I) using Bolt (R) with L-Allen Key (Q).

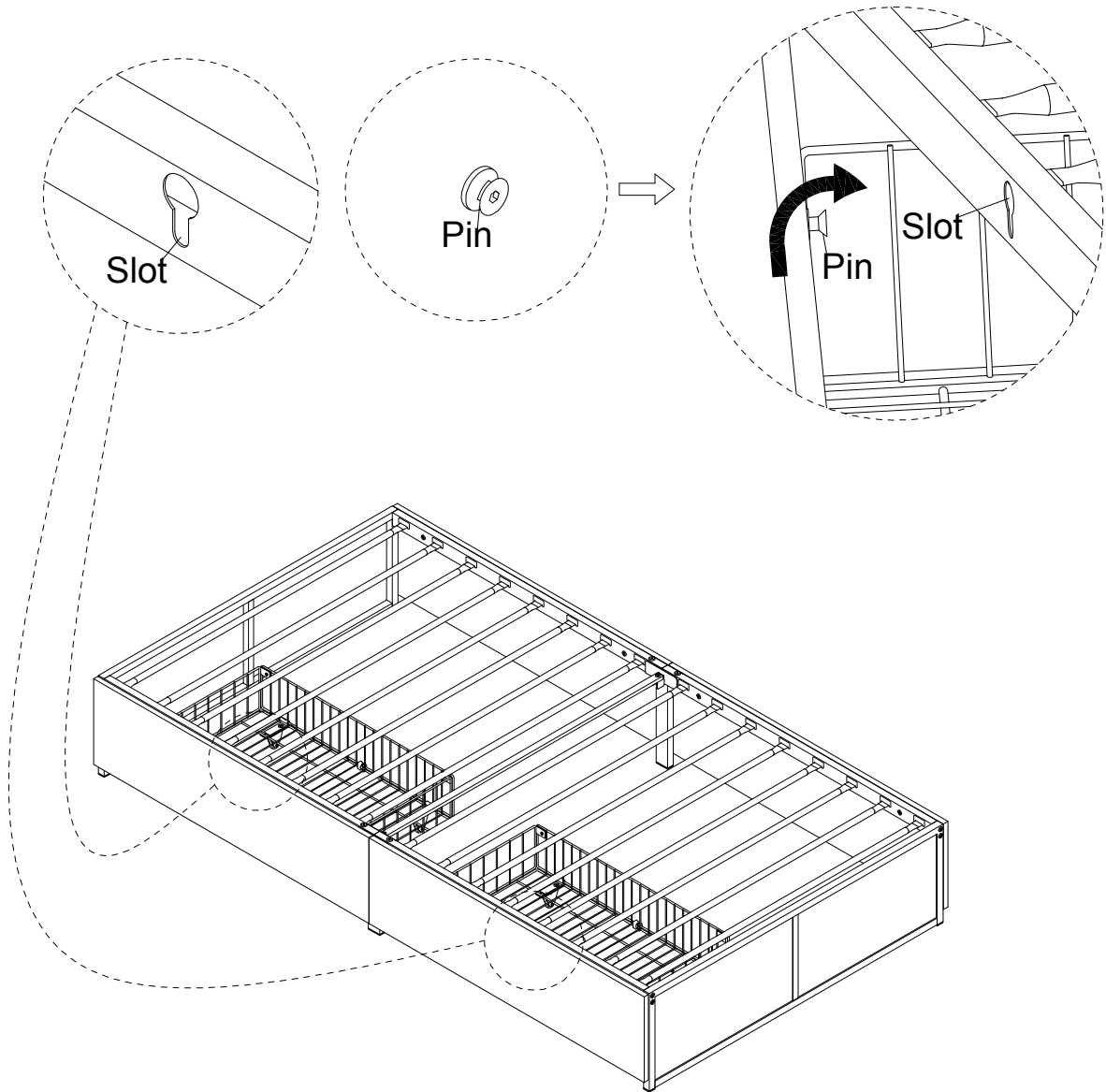


9 Insert Bolt (U) and Washer (Y) into Drawer Front Panel (I) and tighten with L-Allen Key (Q).



10

Align the drawer and place it under the bed. Lift the drawer slightly and insert the Pin into the Slot to lock the drawer.



Cleaning & Care

Treat surfaces with care. Surfaces are resistant to scratches but are not scratch resistant. Clean surfaces with a dry or damp soft cloth. Do not use abrasive cleaners. Hardware may loosen over time. Periodically check that all connections are tight.