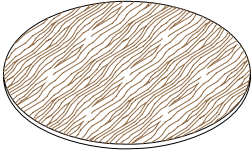
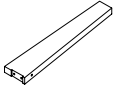

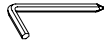
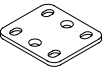





# ASSEMBLY INSTRUCTION

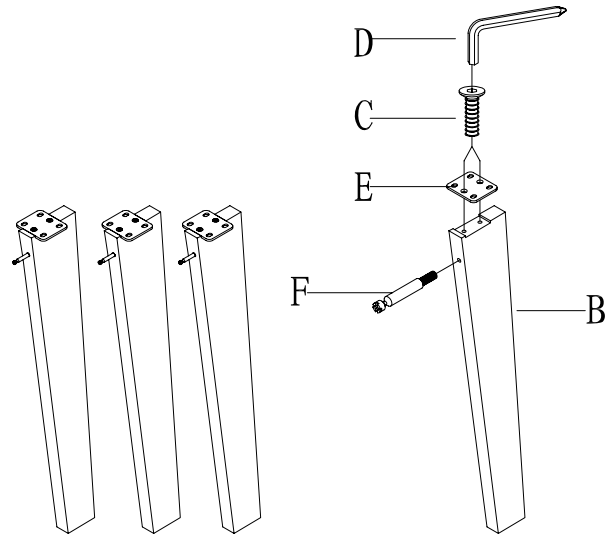
## 5048-43(3A) ROUND DINING TABLE

|   |  |   |   |
|---|--|---|---|
| <b>A</b> Top Panel<br><br>1PC      | <b>B</b> Leg<br><br>4PCS      | <b>C</b> Bolt<br>5/16"X5/8"<br><br>24PCS | <b>D</b> Allen Key<br>4mm<br><br>1PC |
| <b>E</b> Metal Bracket<br><br>4PCS | <b>F</b> Cam Bolt<br><br>4PCS | <b>G</b> Cam Screw<br><br>4PCS           | <b>H</b> Cam Nut<br><br>4PCS         |

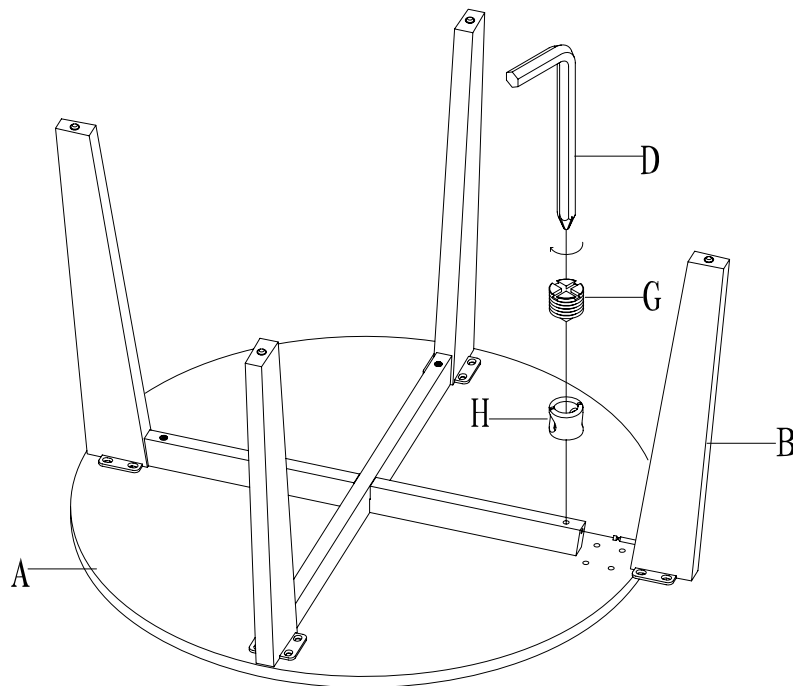
This page lists all the contents included in the box. Please take the time to identify the hardware as well as the individual components to this product. As you unpack and prepare for assembly, place the contents on a carpeted or padded area to protect them from damage.



**1** Attach the Metal Bracket (E) to the Leg (B) by using Bolts (C) with Allen Key (D). Screw Cam Bolt (F) to the pre-drilled hole as below shown.



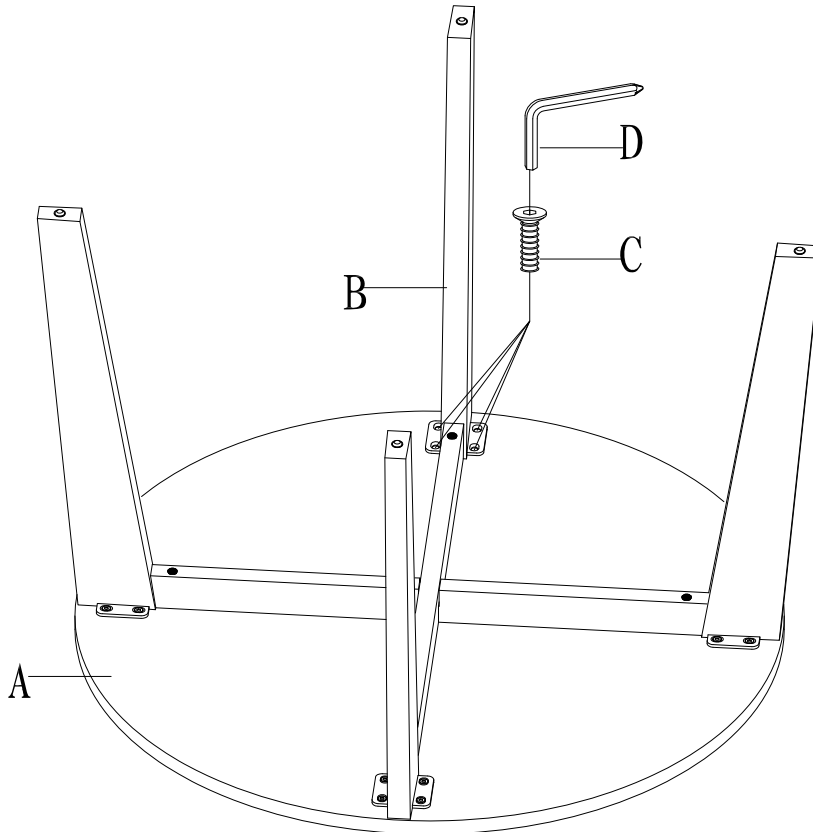
**2** Put Cam Nut (H) on the back of Top Panel (A), then put the Leg (B) closed to the Cam Nut (H). Lock the Cam Screw (G) by using Allen Key (D).



---

**3**

Lock the Leg (B) to the back of the Top Panel (A) by using Bolts (C) with Allen Key (D). Repeat step 1 and step 2 to assemble other 3 legs.



---

#### Cleaning & Care

Treat surface with care. Surface is resistant to scratches but is not scratch resistant. Clean surfaces with a dry or damp soft cloth. Do not use abrasive cleaners. Hardware may loosen over time. Periodically check that all connections are tight.