

## High Capacity Emergency Light

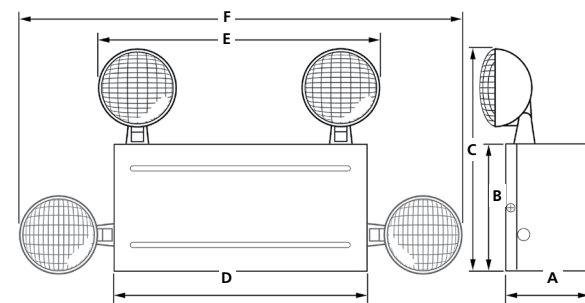
### FEATURES

- High capacity emergency unit for commercial or light industrial applications
- White, corrosion-resistant, heavy gauge steel housing in 6 or 12 volt models
- Includes High wattage Incandescent or optional LED lamp heads
- Fully adjustable, glare free, high-output incandescent lamp heads
- Maintenance-free battery with fully automatic solid state charger
- 120/277 60 Hz VAC operation, test switch and LED AC-On indicator light
- Transformer isolation, surge, transient and low voltage disconnect protection
- Reverse polarity, short circuit and AC lockout protection
- Extended remote capacity and time delay retransfer (TDR with Spectron only)
- Temperature range: 20°C to 30°C (68°F to 86°F), damp: 10°C to 40°C (50°F to 104°F)
- UL 924 Listed (optional damp location listed)



### ORDERING INFORMATION

MODEL	CAPACITY	BATTERY TYPE	RATING	OUTPUT VOLTAGE	SELF DIAGNOSTICS
LM	2 10.8 Watt 15 15 Watt** 16 16 Watt 28 28 Watt* 30 30 Watt** 33 33 Watt 34 34 Watt* 40 40 Watt 50 50 Watt** 56 56 Watt* 66 66 Watt 68 68 Watt* 80 80 Watt 100 100 Watt** 112 112 Watt* 130 130 Watt	Blank Lead Calcium N Nickel Cadmiu* <small>*Capacity wattage may change depending upon option</small>	Blank None D Damp	Blank 6 Volt 12V 12 Volt <sup>6</sup>	Blank None I Spectron Self-test/Self-diagnostic Electronics <sup>1,3,4</sup>
OPTIONS					
V Voltmeter 3 3 Lampheads <sup>1,2</sup> 4 4 Lampheads <sup>1,2,5</sup> 0 0 Lampheads <sup>1,2,3</sup> A31 Aux 3-conductor cord-120 volt A32 Aux 3-conductor cord-277 volt O3L 3 watt LED lamp heads <sup>7</sup>					
OPTIONAL LAMPS					
SRHSW0608 6V, 8W Halogen, plastic lamp head SRHSW0612 6V, 12W Halogen, plastic lamp head SRHSW0618 6V, 18W Incandescent, plastic lamp head SRHSW0620 6V, 20W Halogen, plastic lamp head SRHSW0625 6V, 25W Incandescent, plastic lamp head SRHSW1208 12V, 8W Halogen, plastic lamp head SRHSW1212 12V, 12W Halogen, plastic lamp head SRHSW1218 12V, 18W Incandescent, plastic lamp head SRHSW1225 12V, 25W Incandescent, plastic lamp head SRHSW1235 12V, 35W Incandescent, plastic lamp head AHDW1250 12V, 50W Halogen, metal lamp head					
<small>To order metal lamp heads, replace SRH with AHD. 50W is available with metal heads only.</small>					
<small>To order two optional, non-standard lamps on the fixture, suffix catalog number. Example: LM100-SRHSW0612.</small>					



ENCLOSURE STYLE	A	B	C	D	E	F
20 gauge steel	3 7/8"	5 3/4"	11 1/2"	13 1/2"	15 3/4"	25"
18 gauge steel	4 3/4"	7 3/4"	13 1/2"	15 3/4"	18"	27 1/4"
	12.1 cm	19.7 cm	34.3 cm	40.0 cm	45.7 cm	69.2 cm

## High Capacity Emergency Light

### SPECIFICATIONS

#### O3L Lamp Models

O3L LAMP MODELS	DC VOLTS	LAMP WATTS	REMOTE CAPACITY	REMOTE WATTS	1 1/2 HOURS	2 HOURS	3 HOURS	4 HOURS
LM2-O3L	6	3W	No	-	10.8	7	-	-
LM33-O3L	6	3W	Yes	27	33	25	17	13
LM33I-O3L	6	3W	Yes	27	33	25	17	13

Note- LM33I -O3L must be loaded to a minimum of 12W including remotes

#### Standard Models\*

CATALOG NUMBERS	ENCLOSURE STYLE	OUTPUT VOLTS	ELECTRICAL				STANDARD LAMP	REMOTE CAPABILITY
			OUTPUT WATTS					
			1.5 HOURS	2 HOURS	3 HOURS	4 HOURS		
LM2	1	6	10.8	--	--	--	5.4W	No
LM16	1	6	16	--	--	--	7.2W	No
LM33	1	6	33	25	17	13	7.2W	Yes
LM40	1	6	40	31	21	16	7.2W	Yes
LM66	2	6	66	51	35	27	7.2W	Yes
LM80	2	6	80	62	43	33	7.2W	Yes
LM130	2	6	130	101	70	54	7.2W	Yes
LM40-12V	1	12	40	31	21	16	7.2W	Yes
LM66-12V	2	12	66	51	35	27	7.2W	Yes
LM80-12V	2	12	80	62	43	33	7.2W	Yes
LM130-12V	2	12	130	101	70	54	7.2W	Yes

\*Meets New York City Requirements

#### Nickel-Cadium Models

CATALOG NUMBERS	ENCLOSURE STYLE	OUTPUT VOLTS	ELECTRICAL				STANDARD LAMP	REMOTE CAPABILITY
			OUTPUT WATTS					
			1.5 HOURS	2 HOURS	3 HOURS	4 HOURS		
LM15N	1	6	14.4	--	--	--	7.2W	No
LM30N	1	6	30	25	17	13	7.2W	Yes
LM50N	1	6	50	42	29	22	7.2W	Yes
LM50N-12V	2	12	50	42	29	22	7.2W	Yes
LM100N-12V	2	12	100	85	59	46	7.2W	Yes

#### Damp Location Models

0.0225 IN	ENCLOSURE STYLE	OUTPUT VOLTS	ELECTRICAL				STANDARD LAMP	REMOTE CAPABILITY
			OUTPUT WATTS					
			1.5 HOURS	2 HOURS	3 HOURS	4 HOURS		
LM28D	1	6	28	21	15	11	7.2W	Yes
LM34D	1	6	34	26	18	14	7.2W	Yes
LM56D	2	6	56	43	30	23	7.2W	Yes
LM68D	2	6	68	53	35	28	7.2W	Yes
LM112D	2	6	112	87	60	47	7.2W	Yes
LM34D-12V	1	12	34	26	18	14	7.2W	Yes
LM56D-12V	2	12	56	43	30	23	7.2W	Yes
LM68D-12V	2	12	68	53	36	28	7.2W	Yes
LM112D-12V	2	12	112	87	60	47	7.2W	Yes

### ACCESSORIES

MODEL	DESCRIPTION
40G	Wire guard (Top mounted heads only)
<b>Matching Remote Fixtures</b>	
SRHSW	Single matching remote head — white*
SRHDW	Twin matching remote head — white*
OCR-O3L	Outdoor LED Remote Heads
CPR-O3L	Indoor LED Remote Heads

\*Supplied with round mounting plate. Specify voltage and wattage when ordering. Example: SRHDW1212. See "Remote Heads and Fixtures" section for available lamps.