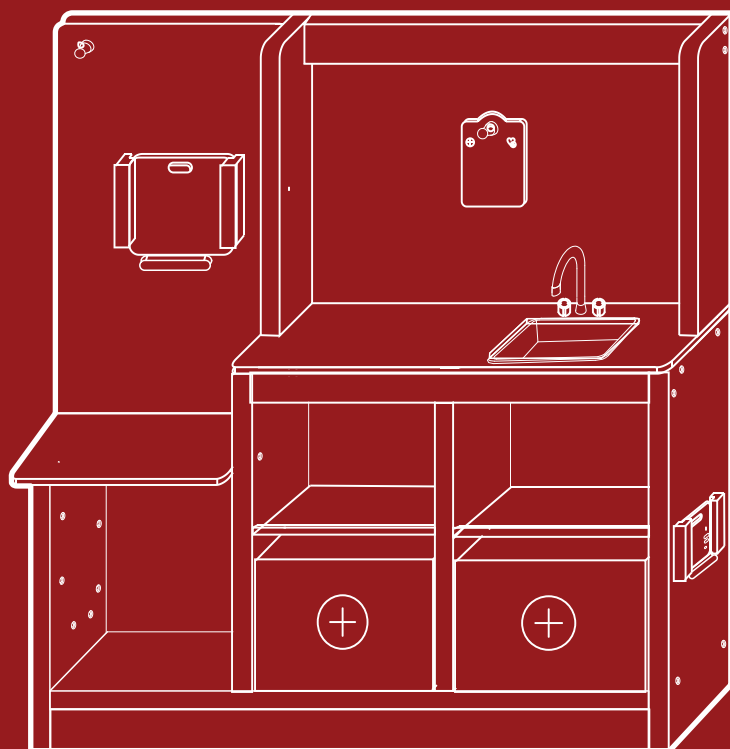




BEST CHOICE
PRODUCTS



INSTRUCTION MANUAL

Wooden Doctor Playset

WARNING

CHOKING HAZARD - Small parts.
Not for children under 3 years old.

WARNING

ADULT ASSEMBLY REQUIRED

NOTICE

Please retain these instructions for future reference.

- This product requires adult assembly and supervision when in use.
- This product is intended for indoor use only.
- Do not stand on or use any part of this item as a step ladder.
- Firmly secure all bolts, screws, and knobs before use.
- Reconfirm that all bolts, screws, and knobs are secure every 90 days.
- Do not use or store this item in the proximity of open flame or flammable/combustible chemicals.
- If any parts are missing, broken, damaged, or worn, stop using this item until repairs are made and/or factory replacement parts are installed.
- Do not use this item in a way inconsistent with the manufacturer's instructions as this could void the product warranty.
- This product contains small parts. May result in choking hazard for children under 3 years.
- To wipe down item, use a damp cloth. Then, wipe it down once more with a dry cloth.
- This product is intended for residential use only.

WARNINGS REGARDING BATTERIES

- The following safety hazards may result in serious injury or death:
- Do not mix alkaline, standard (carbon zinc) and rechargeable (nickel hydride) batteries.
- Do not mix old and new batteries.
- Non-rechargeable batteries should not be charged/
- Rechargeable batteries should be charged under adult supervision only.
- Exhausted batteries should be removed.
- The supply terminals should not be short-circuited.
- Do not put batteries next to or in a heat source (fire, electronic heating device etc.)
- Do not hit batteries against hard objects.
- Do not submerge batteries in water.
- Batteries should be inserted with the correct polarity.



This product contains a Button or Coin Cell Battery. A swallowed Button or Coin Cell Battery can cause internal chemical burns in as little as two hours and lead to death. Dispose of used batteries immediately.

TOOLS REQUIRED



3 YEARS
OLD AND UP



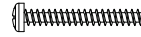
1 PERSON
ASSEMBLY



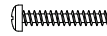
UP TO 90 MIN.
ASSEMBLY

HARDWARE

A. M4 x 30mm Screw (x38)



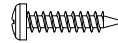
B. M3 x 18mm Screw (x4)



C. Small Screw (x5)



D. M4 x 16mm Screw (x26)



E. Knob



F. Counter Support (x5)



G. Dowel (x25)



H. Coat Knob



I. M4 x 45mm Screw



J. Wall Anchor



K. Wall Washer



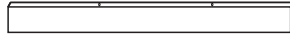
PARTS & ACCESSORIES



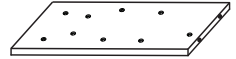
1
Cabinet Base



2 X2
Base Support



3
Base Skirt



4
Left Side Panel



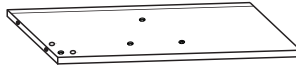
5 X6
Chart Holder Guide



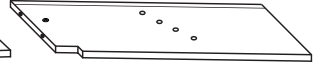
6 X3
Chart Holder Base



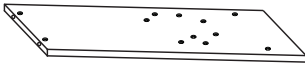
7 X2
Shelf Flashing



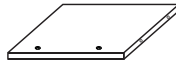
8
Inner Cubby Left Side



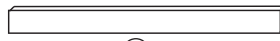
9
Inner Cubby Center



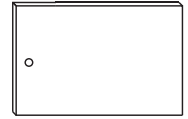
10
Right Side Panel



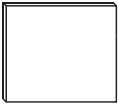
11
Shelf I



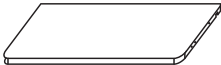
12
Cabinet Front Skirt



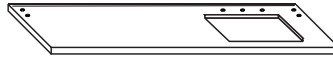
13 X2
Cubby Back



14
Small Cabinet Back



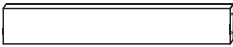
15
Exam Tabletop



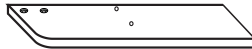
16
Countertop



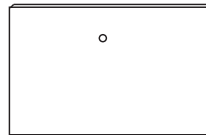
17
Counter Back Support Left



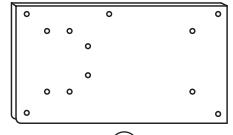
18
Top Connector



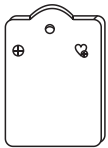
19
Counter Back Support Right



20
Shelf Back



21
Exam Table Back Support



22
Clipboard



23
Measuring Plank Support



24
Chart I



25
Chart II



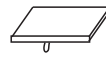
26
Measuring Plank



27
Measuring Shaft



28
X-ray



29 X2
Box Stay



30 X2
Storage Box



31
Sink



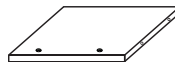
32
Doctor's Coat



33
Faucet



34 X2
Sink Knob



35
Shelf II



A1
Carrying Case

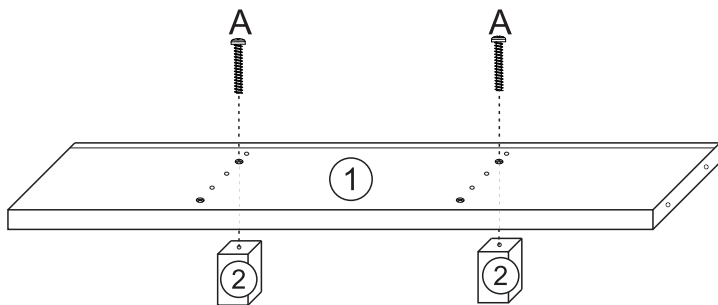


A2
Doctors Tools

PRODUCT ASSEMBLY

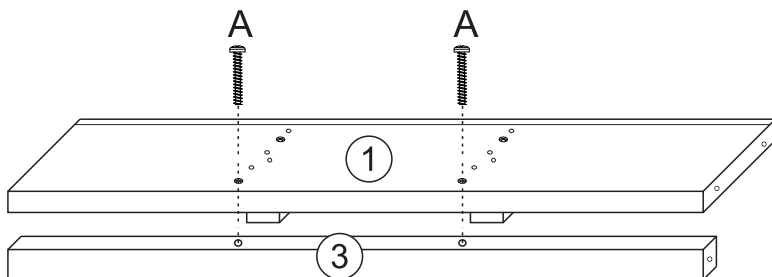
1

Attach two **part 2 base supports** to the bottom the **part 1 cabinet base** with two **part A screws**.



2

Attach the **part 3 base skirt** to the front of the **part 1 cabinet base** with two **part A screws**.

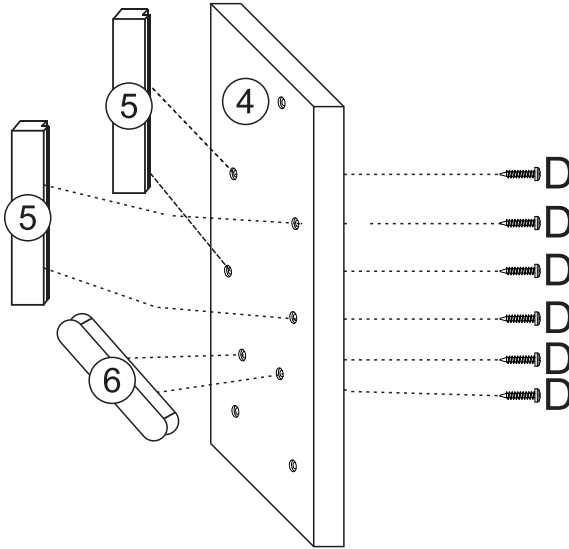


PRODUCT ASSEMBLY

3

Locate the **part 4 left side panel** and attach two **part 5 chart holder guides**, with four **part D screws**.

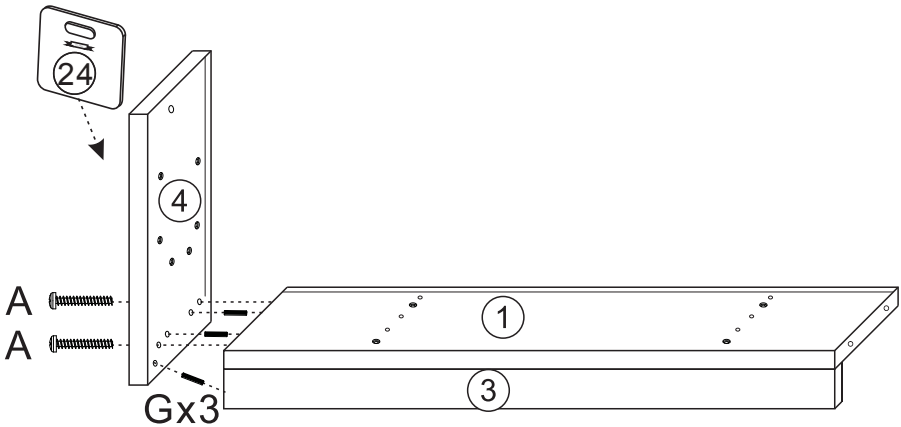
Attach one **part 6 chart holder base** with two **part D screws**.



4

Attach the **part 4 left side assembly** to the **part 1 cabinet base assembly** with two **part A screws** and three **part G dowels**.

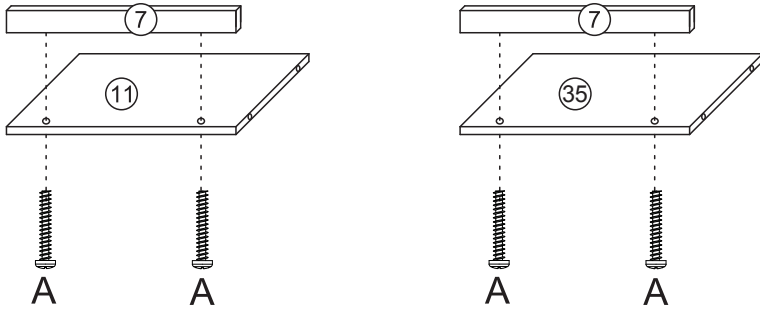
Slide the **part 24 chart I** into the assembled chart holder.



PRODUCT ASSEMBLY

5

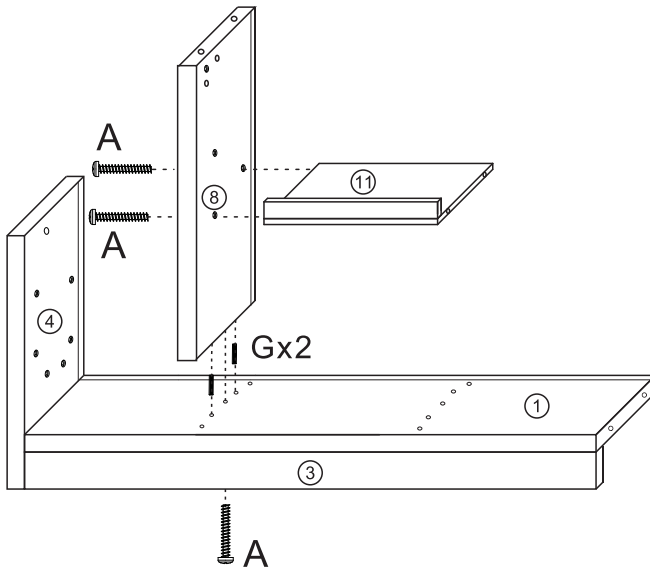
Locate the two **part 7 shelf flashings** and use two **part A screws** to attach them to the **part 11** and **part 35 shelves**, two screws per shelf.



6

Insert two **part G dowels** into the bottom of the **part 8 inner cubby left side**, then attach it to the **part 1 cabinet base** with one **part A screw**.

Attach one **part 11 shelf assembly** to the **part 8 inner cubby left side** with two **part A screws**.

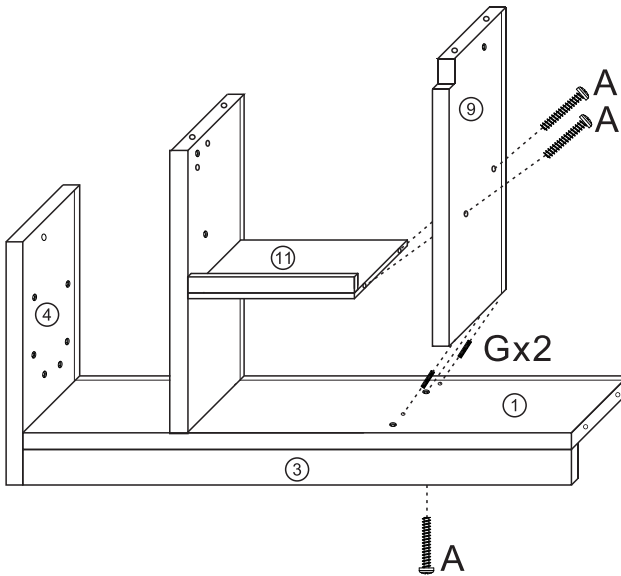


PRODUCT ASSEMBLY

7

Insert two **part G dowels** into the bottom of the **part 9 inner cubby center**, then attach it to the **part 1 cabinet base** with one **part A screw**.

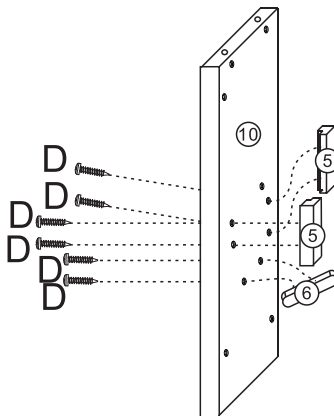
Attach the **part 9 inner cubby center** to the **part 11 shelf assembly** with two **part A screws**.



8

Locate the **part 10 right side panel** and attach two **part 5 chart holder guides**, with four **part D screws**.

Attach one **part 6 chart holder base** with two **part D screws**.



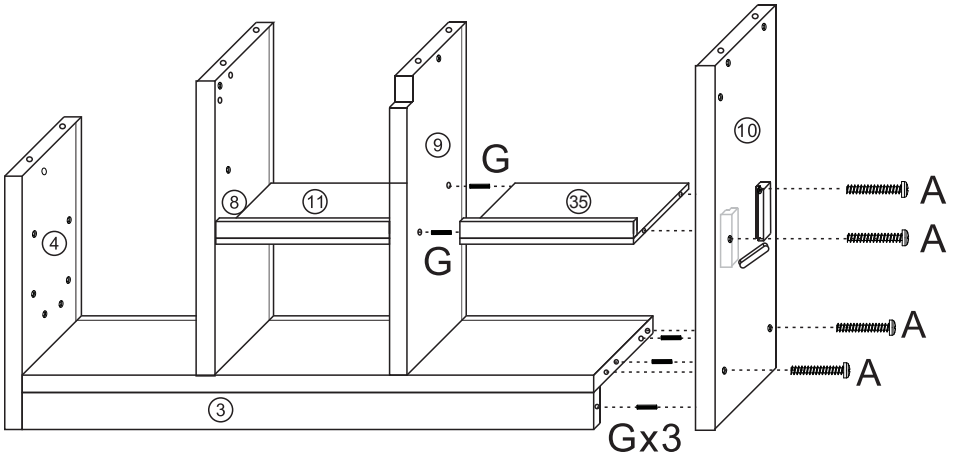
PRODUCT ASSEMBLY

9

Insert two **part G** dowels into the side of another **part 35** shelf assembly, then attach it to the **part 9** inner cubby center.

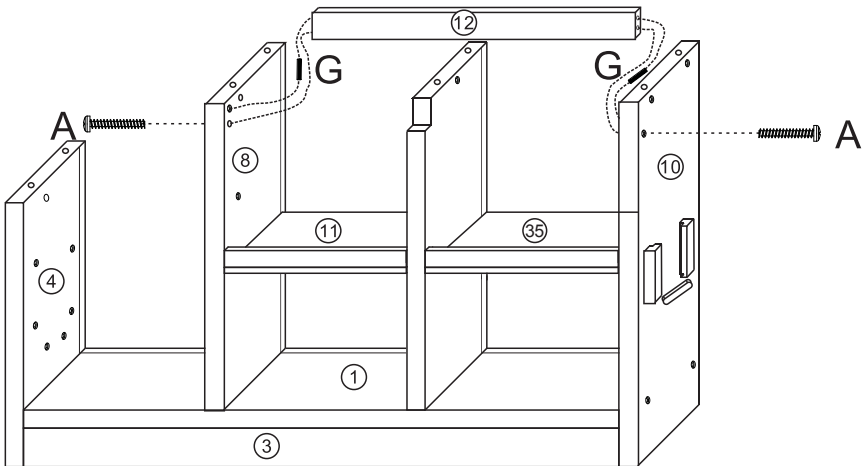
Attach the **part 10** left side assembly to the **part 1** cabinet base assembly with two **part A** screws and three **part G** dowels.

Secure the **part 35** shelf assembly with two **part A** screws.



10

Attach the **part 12** cabinet front skirt to the **part 8** & **10** sides with two **part G** dowels and two **part A** screws.



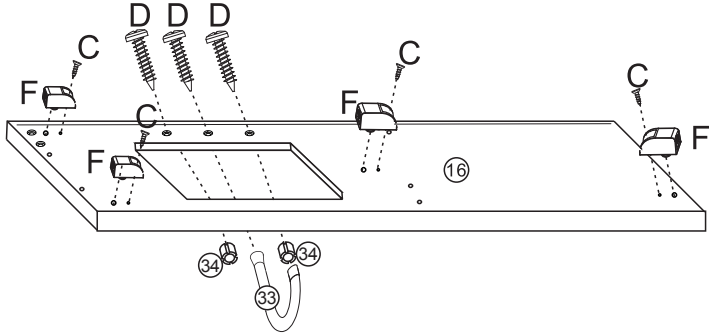
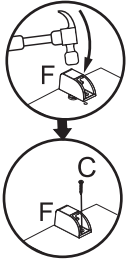
PRODUCT ASSEMBLY

13

Locate the **part 16 countertop** and hammer in four **part F counter supports**, then secure with four **part C screws**.

Attach the **part 33 faucet** and two **part 34 sink knobs** with three **part D screws**.

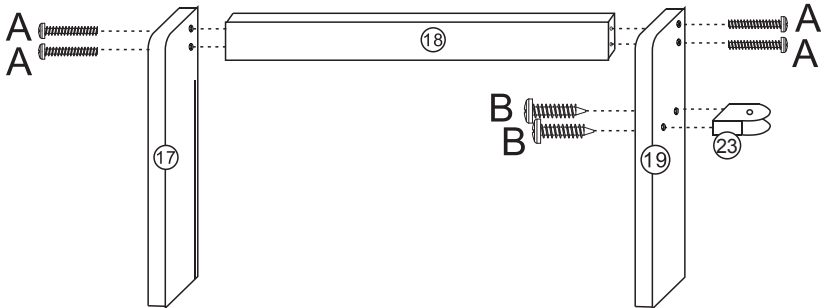
Hammer
not included.



14

Attach the **part 23 measuring plank support** to the **part 19 counter back support right** with two **part B screws**.

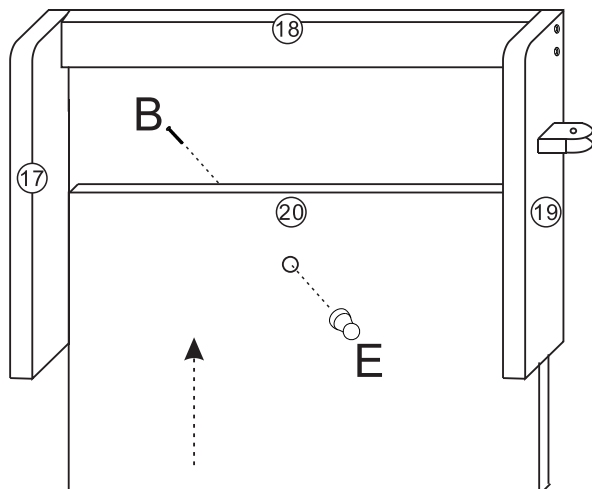
Attach the **part 17 & 19 counter back supports** to the **part 18 top connector** with four **part A screws**.



PRODUCT ASSEMBLY

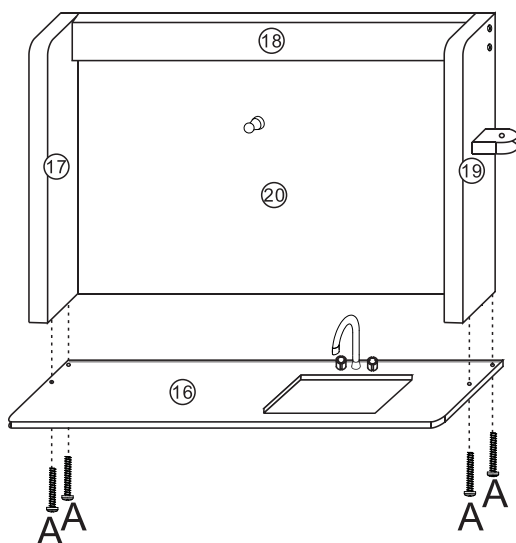
15

Slide the **part 20 shelf back** between the shelf supports and attach one **part E knob** with one **part B screw**.



16

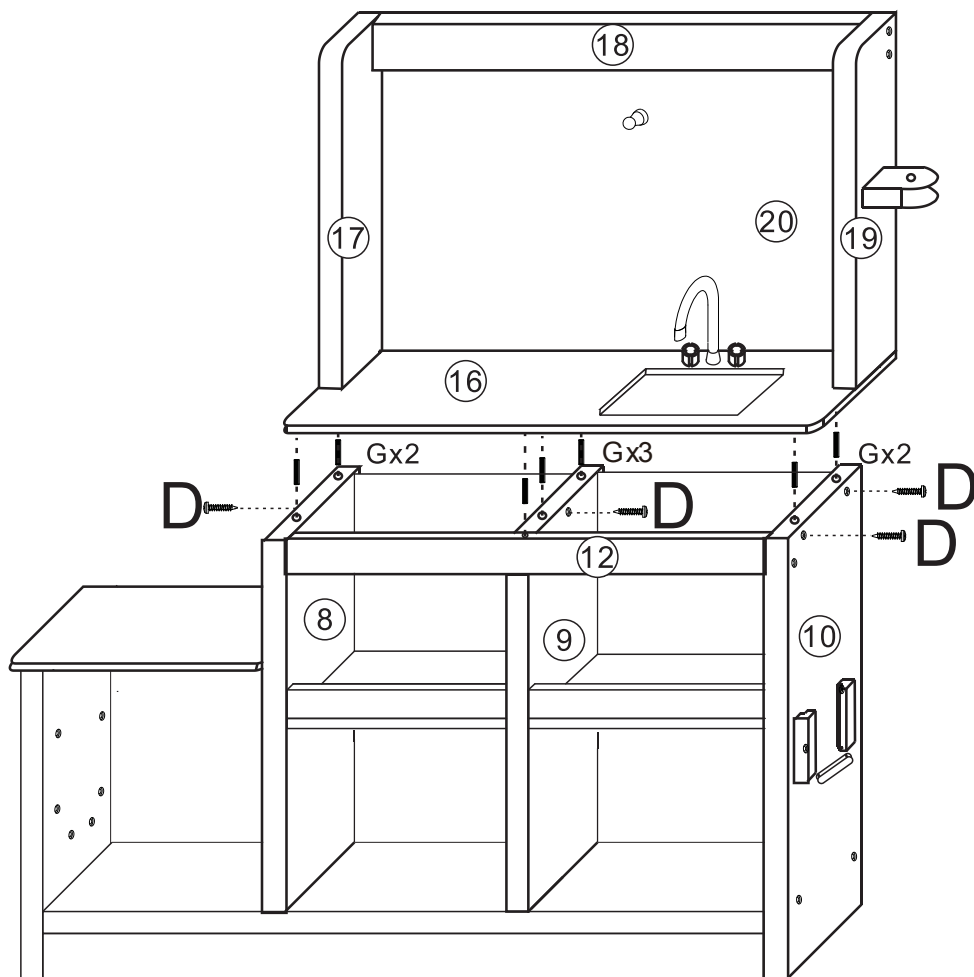
Attach the **part 16 countertop** to the **part 17 & 19 counter back supports** with four **part A screws**, two screws per side.



PRODUCT ASSEMBLY

17

Insert seven **part G** dowels into the bottom of the **part 16** countertop, then attach to the **parts 8, 9, and 10** cubby panels and secure with four **part D** screws.

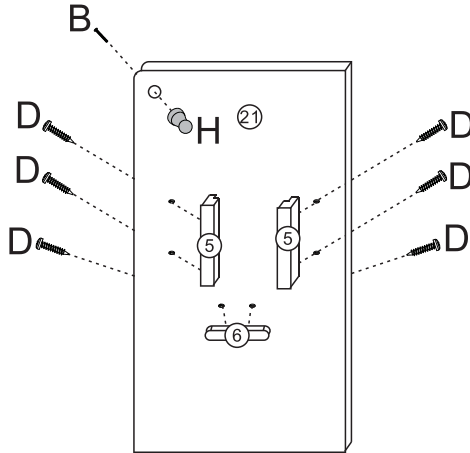


PRODUCT ASSEMBLY

18

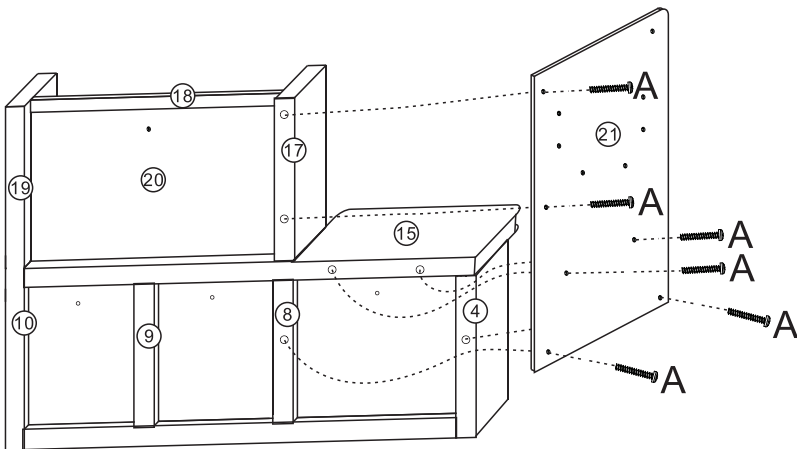
Attach two **part 5 chart holder guides** and one **part 6 chart holder base** to the **part 21 exam table back** with six **part D screws**.

Attach one **part H knob** with one **part B screw**.



19

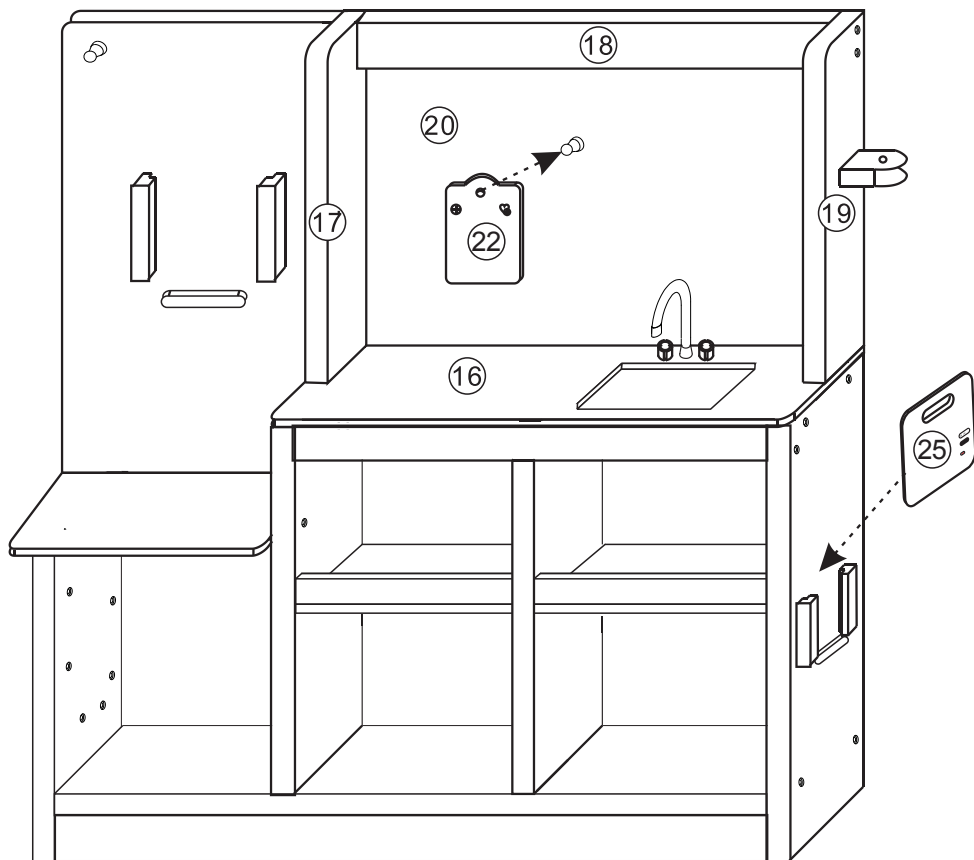
Attach the **part 21 exam table back assembly** to **parts 17, 8, and 4** with six **part A screws**.



PRODUCT ASSEMBLY

20

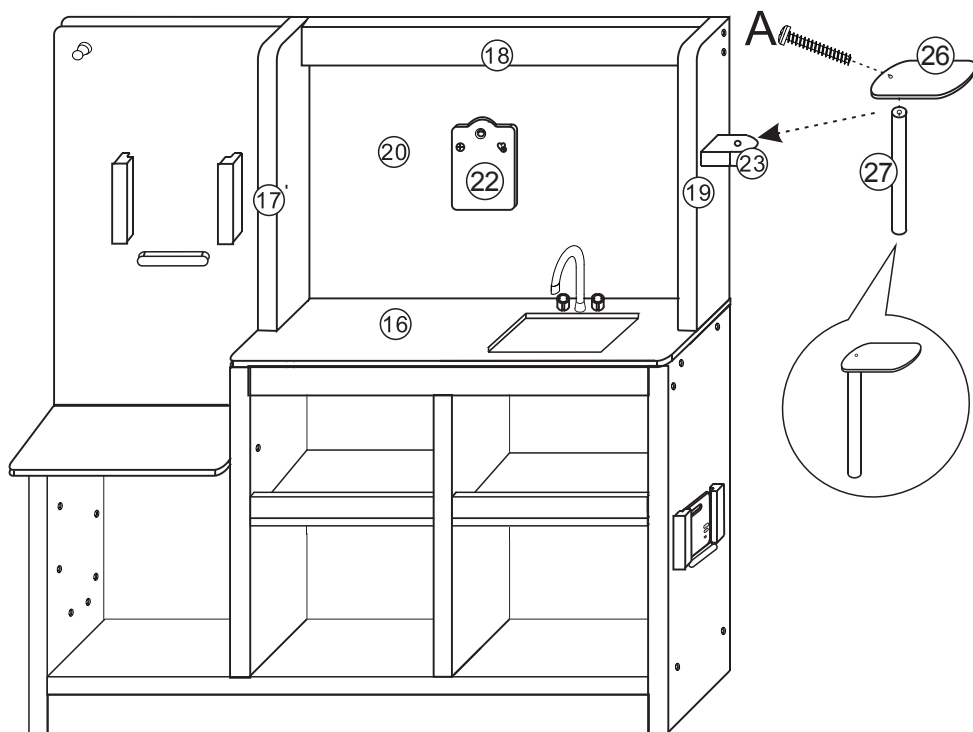
Place the **part 22 clipboard** on the knob on the **part 20 counter back**, insert the **part 25 chart II** into the chart holder on the **part 10 right side**.



PRODUCT ASSEMBLY

21

Attach the **part 26 measuring plank** and **part 27 measuring shaft** to the **part 23 measuring plank support** with one **part A screw**.

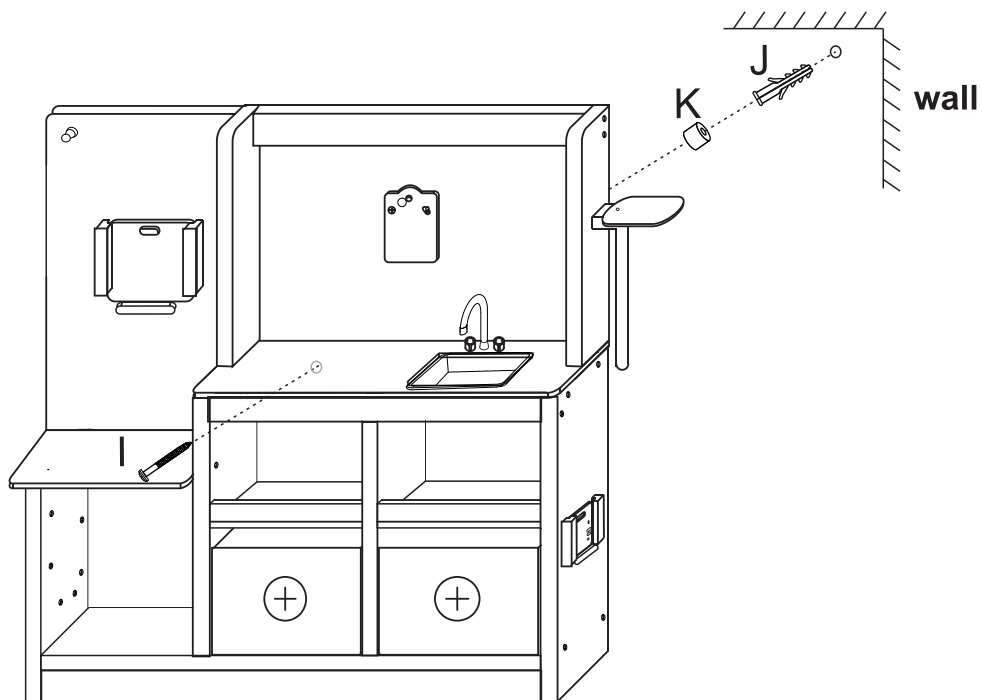


PRODUCT ASSEMBLY

23

After drilling a pilot hole into an adjacent wall, insert the **part J wall anchor** into the hole, then place the **part K wall washer** between the back of the assembled playset and the wall.

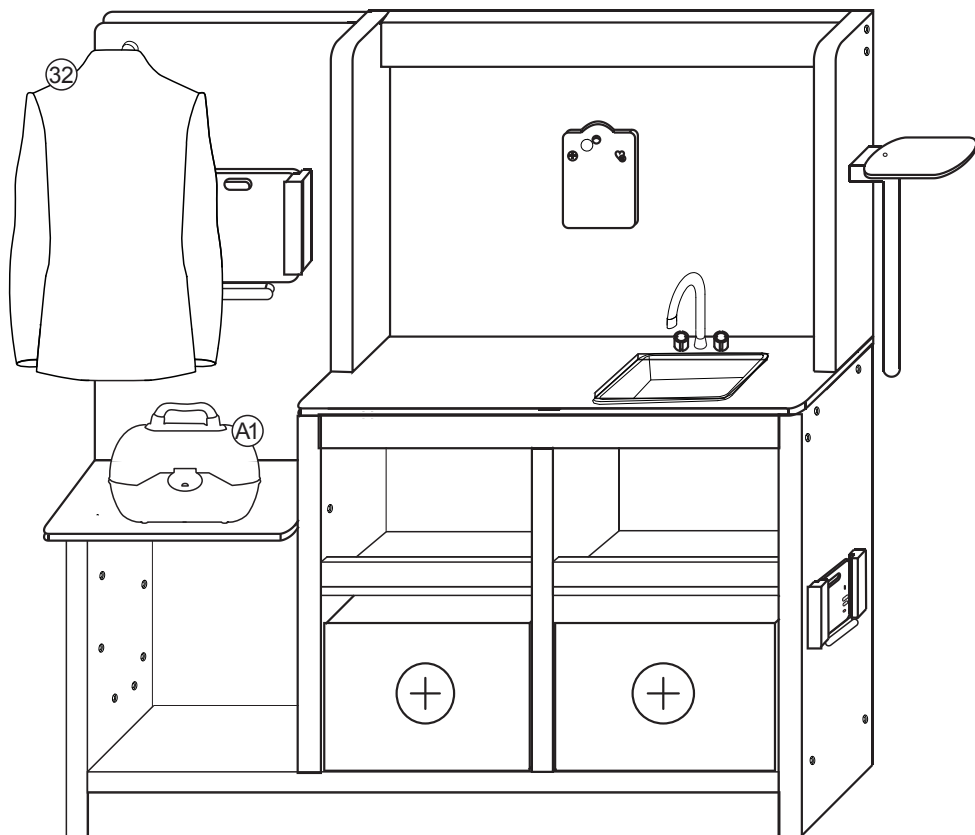
Secure the playset to the wall with one **part I screw**.



PRODUCT ASSEMBLY

24

Arrange the remaining accessories as desired and enjoy.





HELP CENTER



Question about your product? We're here to help. Visit us at:

help.bestchoiceproducts.com



Chat Support



Product Inquiry



Orders FAQ



Product Assembly



Returns & Refunds

PRODUCT WARRANTY INFORMATION

All items can be returned for any reason within 60 days of the receipt and will receive a full refund as long as the item is returned in its original product packaging and all accessories from its original shipment are included. All returned items will receive a full refund back to the original payment method. All returned items will not be charged a re-stocking fee.

All returned items require an RA (Return Authorization) number, which can only be provided by a Best Choice Products Customer Service Representative when the return request is submitted. Items received without an RA may not be accepted or may increase your return processing time. Once an item has been received by Best Choice Products, refunds or replacements will be processed within 5 business days.

All returns must be shipped back to the Best Choice Products Return Center at the customer's expense. If the reason for return is a result of an error by Best Choice Products then Best Choice Products will provide a pre-paid shipping label via email. Boxes for return shipping will not be provided by Best Choice Products, and is the customer's responsibility to either use the original shipping boxes or purchase new boxes.

Pictures may be required for some returns to ensure an item is not damaged prior to its return. Items returned are not considered undamaged until they are received by Best Choice Products and verified as such. All damages to items are the customer's responsibility until the item has been received by and acknowledged by Best Choice Products as undamaged.

© 2023 Best Choice Products, Inc. All rights reserved. Distributed by Best Choice Products, Inc. Tustin, CA 92780

WARNING

Manufacturer and seller expressly disclaim any and all liability for personal injury, property damage or loss, whether direct, indirect, or incidental, resulting from the incorrect attachment, improper use, inadequate maintenance, unapproved modification, or neglect of this product.