

Features

- Four full-extension 12-3/4" (325 mm) drawers with soft-close side-mount slides
- Three-way adjustable slow-close door hinges for easy cabinet access
- 18" (457 mm) cabinet interior provides ample storage space
- Finish-matched cabinet interior offers generous clearance for plumbing
- Customize your storage with optional accessories such as floor liners, drawer organizers, and perfectly sized containers (sold separately)
- Brushed Nickel hardware included on the White and Atmos Grey vanities
- Coordinates with Pure White (PWH) quartz side splash (sold separately)
- Pure White (PWH) quartz vanity top adds beauty and long-lasting durability

Material

- Solid wood and moisture-resistant MDF
- Painted exterior
- Vitreous china sink
- Quartz vanity top

Installation

- Easy installation – no special tools required
- Separate vanity top makes for simplified installation

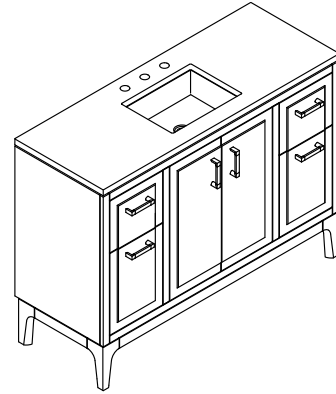
Required Products/Accessories

K-33558 4" cabinet pull

Recommended Products/Accessories

K-25817 4" x 48" quartz backsplash

K-25819 4" x 17-1/4" quartz side splash



Codes/Standards

ASME A112.19.2/CSA B45.1
EPA TSCA Title VI/CARB P2

KOHLER® One-Year Limited Warranty

See website for detailed warranty information.

Available Colors/Finishes

Color tiles intended for reference only.

Color	Code	Description
-------	------	-------------



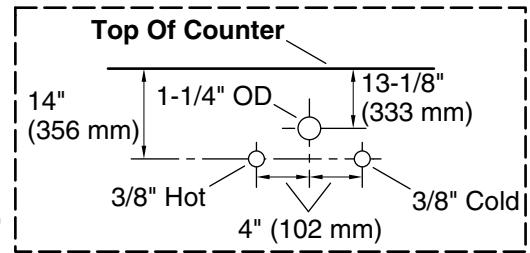
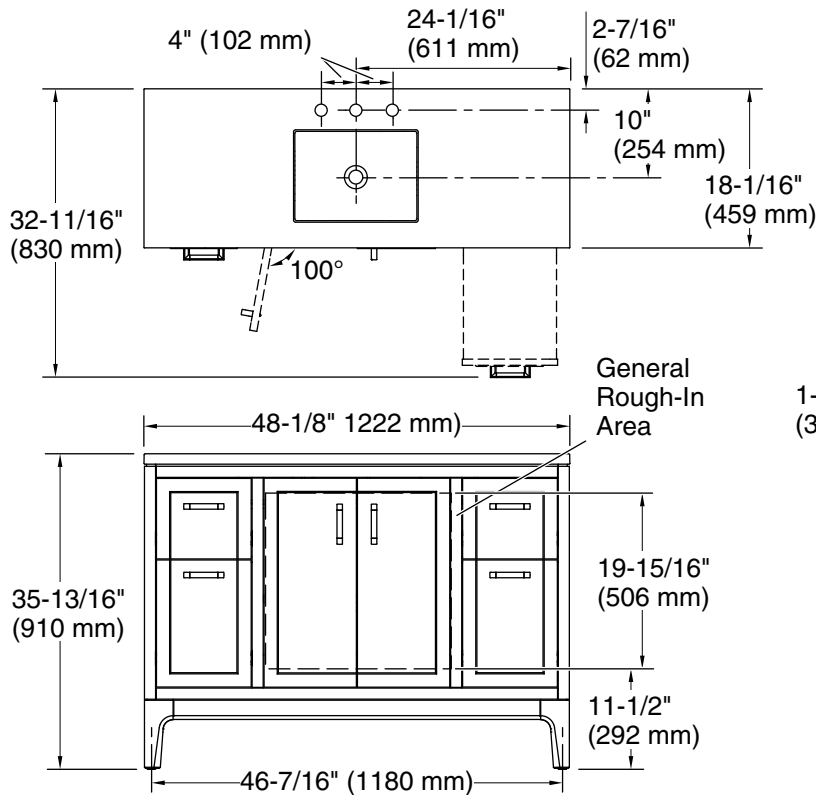
0

White

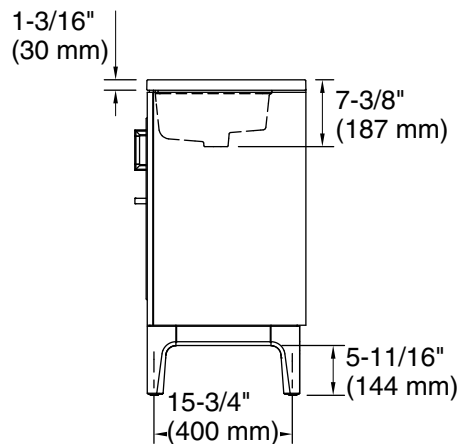


1WT

Mohair Grey



Waste Pipe Location Information



Technical Information

All product dimensions are nominal.

Lighting included: No

Notes

Install this product according to the installation instructions.