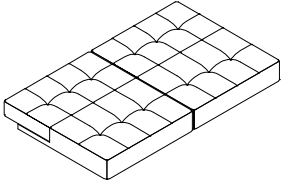


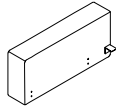
# ASSEMBLY INSTRUCTION

## TUFTED FUTON

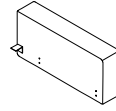
**A** Sofa



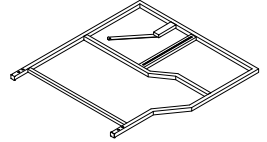
**B** Left Arm



**C** Right Arm

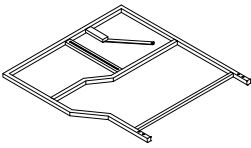


**D** Left Bottom Frame



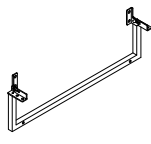
1PC

**E** Right Bottom Frame



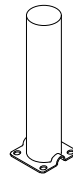
1PC

**F** Wheel Frame



1PC

**G** Middle Leg



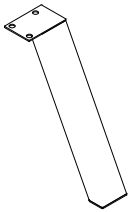
1PC

**H** Rear Leg



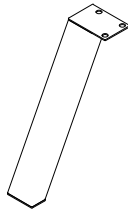
1PC

**I** Left Front Leg



2PCS

**J** Right Front Leg



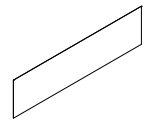
2PCS

**K** Wheel



2PCS

**L** Cover



1PC

**M** Bolt  
M6 x 6mm



1PC

**N** Bolt  
M8 x 16mm



4PCS

**O** Bolt  
1/4" x 19mm



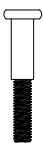
2PCS

**P** Bolt  
5/16" x 24mm



8PCS

**Q** Bolt  
5/16" x 55mm



6PCS

**R** Bolt  
5/16" x 25mm



8PCS

**S** Bolt  
1/4" x 32mm



2PCS

**T** Nut  
1/4"



2PCS

8PCS

4PCS

4PCS

**U** Washer  
Ø20 x Ø8.5 x 2mm



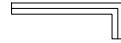
4PCS

**V** Washer  
Ø20 x Ø10.5 x 2mm



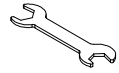
2PCS

**W** L-Allen Key  
4mm

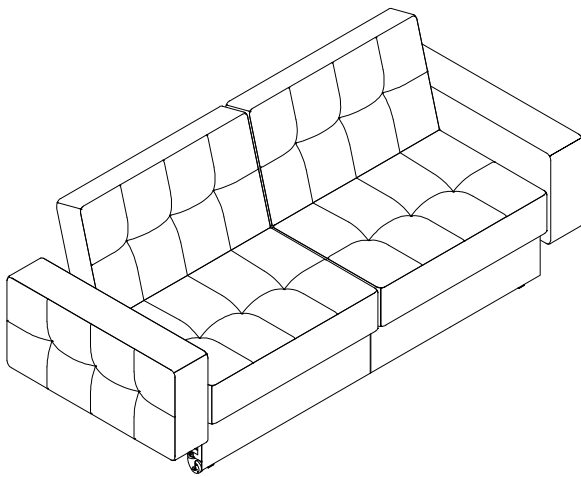


1PC

**X** Wrench  
1/4" x 5/16"



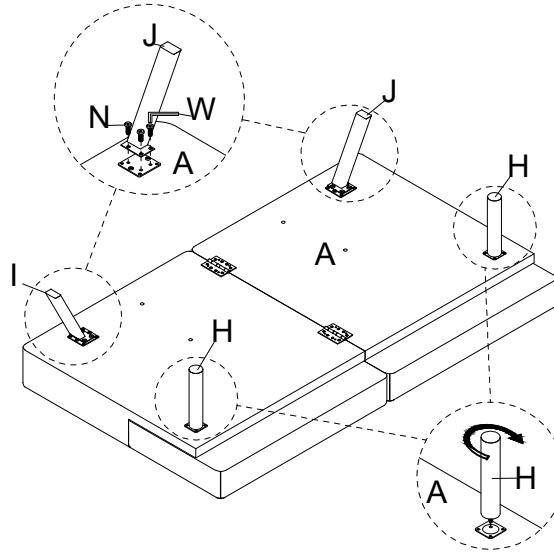
1PC



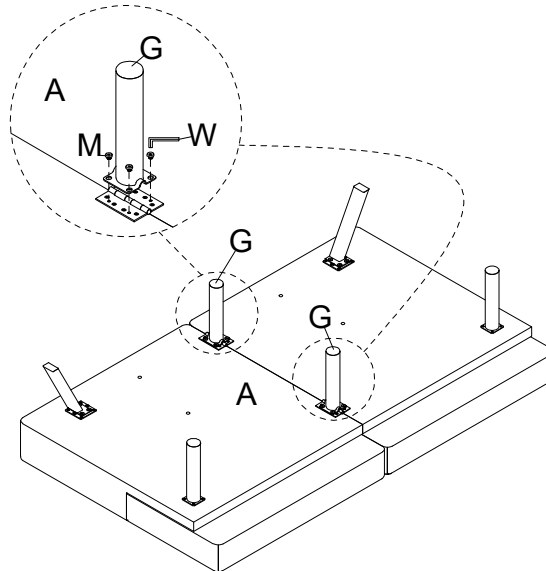
These pages list all the contents included in the box. Please take the time to identify the hardware as well as the individual components to this product. As you unpack and prepare for assembly, place the contents on a carpeted or padded area to protect them from damage.

**1**

Screw the Rear Leg (H) to the Sofa (A). Attach the Left & Right Front Leg (I & J) to the Sofa (A), insert the Bolt (N), turn the L-Allen Key (W) to tighten them.

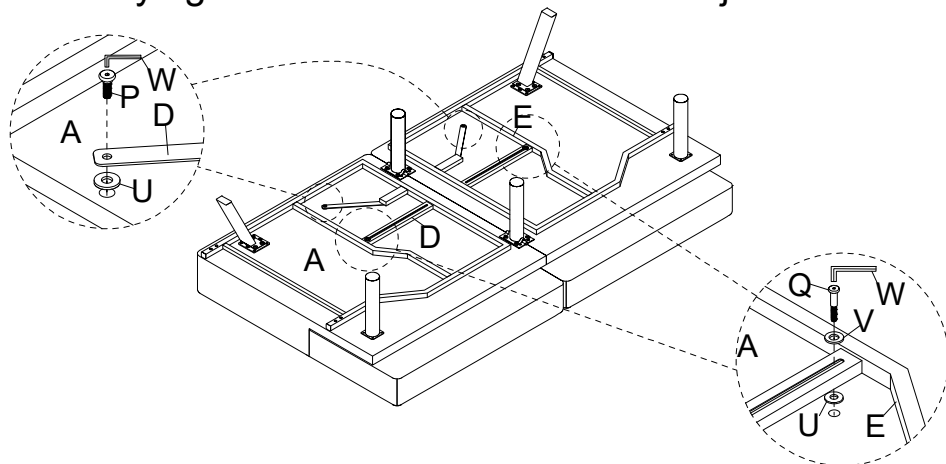
**2**

Attach the Middle Leg (G) to the Sofa (A), insert the Bolt (M), turn the L-Allen Key (W) to tighten them.

**3**

Attach the Left & Right Bottom Frame (D & E) to the Sofa (A). Insert the Bolt (P) and Washer (U), turn the L-Allen Key (W) to tighten them. Then insert the Bolt (Q) and Washer (V & U), turn the L-Allen Key (W) to tighten them.

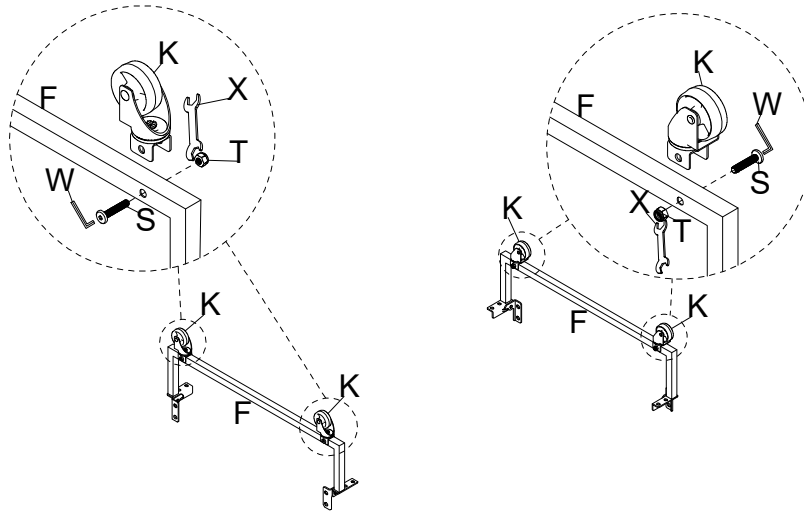
NOTE: Do not fully tighten the bolts. Make sure the joints are moving normally.



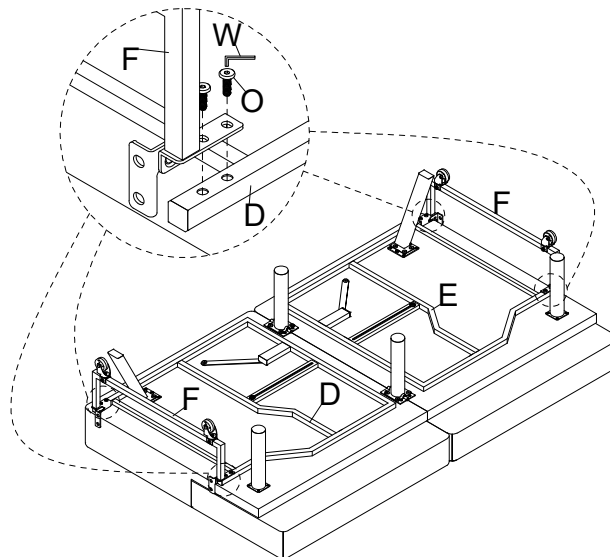
**4**

Attach the Wheel (K) to the Wheel Frame (F), insert the Bolt (S) and Nut (T), turn the L-Allen Key (W) and Wrench (X) to tighten them.

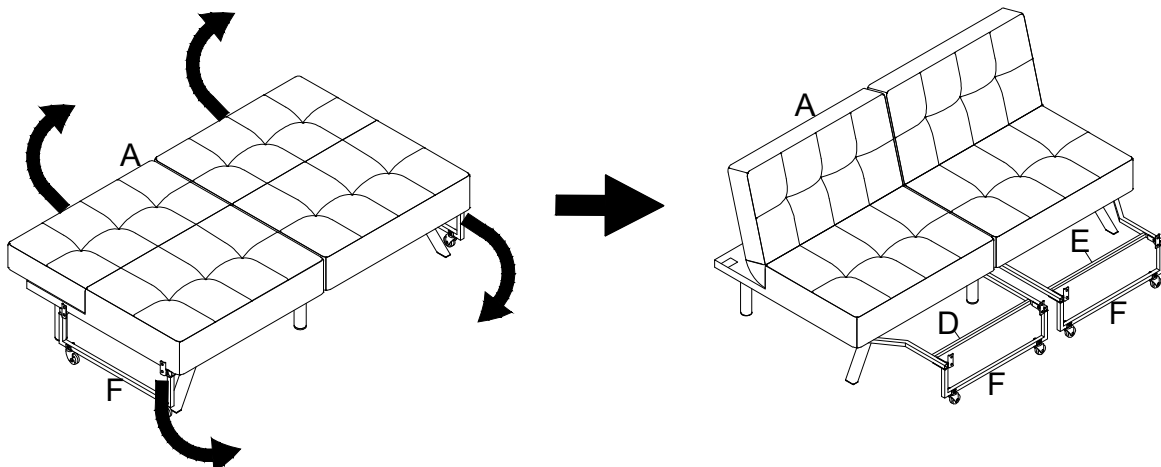
NOTE: The bolts and nuts should be installed in the same direction as shown.

**5**

Attach the Wheel Frame (F) to the Left & Right Bottom Frame (D & E), insert the Bolt (O), turn the L-Allen Key (W) to tighten them.

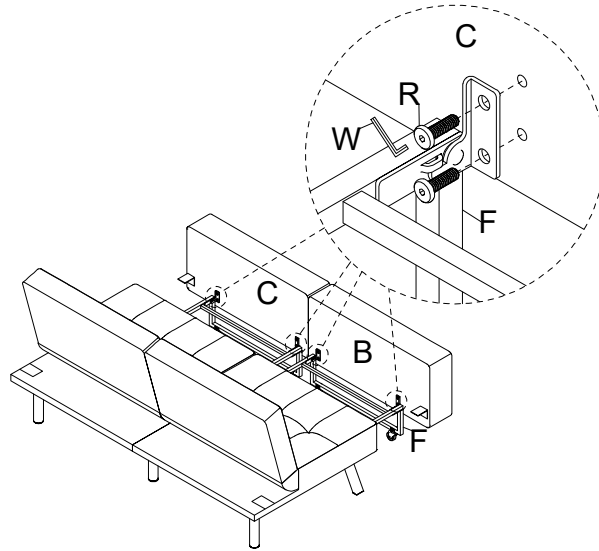
**6**

Push the back of Sofa (A) to the highest position. Then move Left & Right Bottom Frame (D & E) and Wheel Frame (F) to the front as shown.

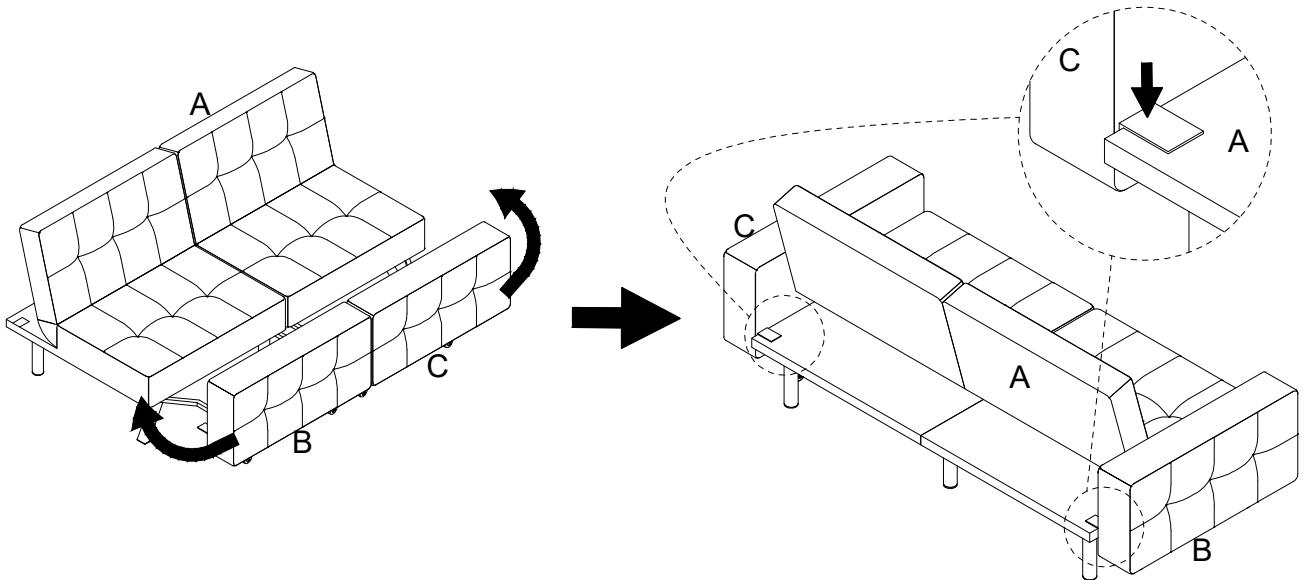


**7**

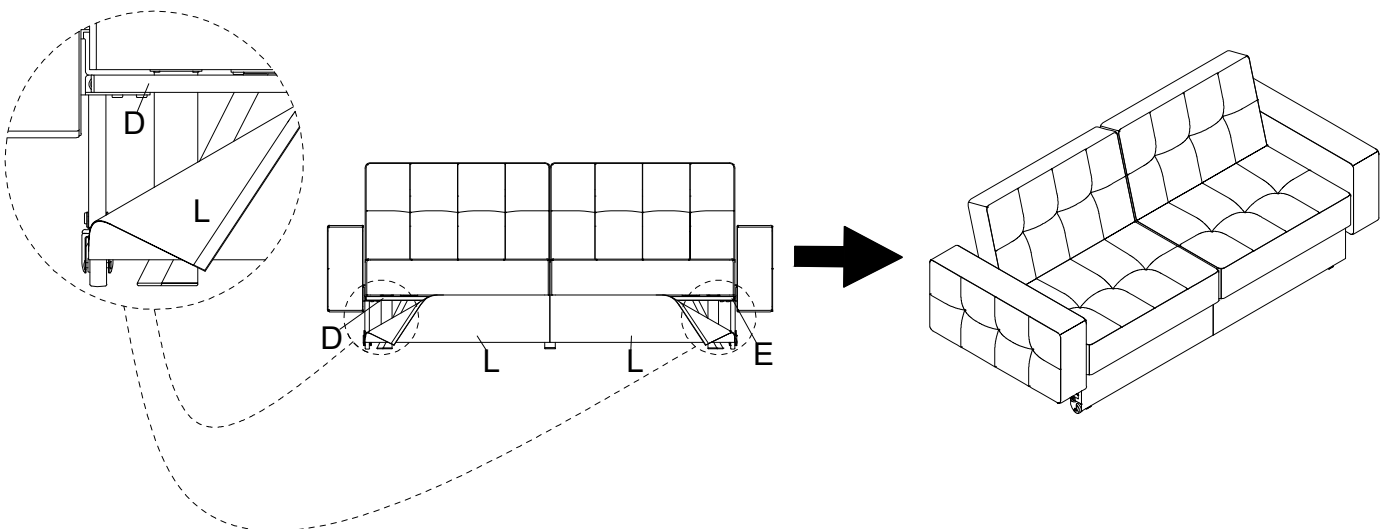
Attach the Left & Right Arm (B & C) to Wheel Frame (F), insert the Bolt (R), turn the L-Allen Key (W) to tighten them.

**8**

Move the Left & Right Arm (B & C) to both sides of the Sofa (A). Then attach the Velcro from Left & Right Arm (B & C) to the Sofa (A) as shown.

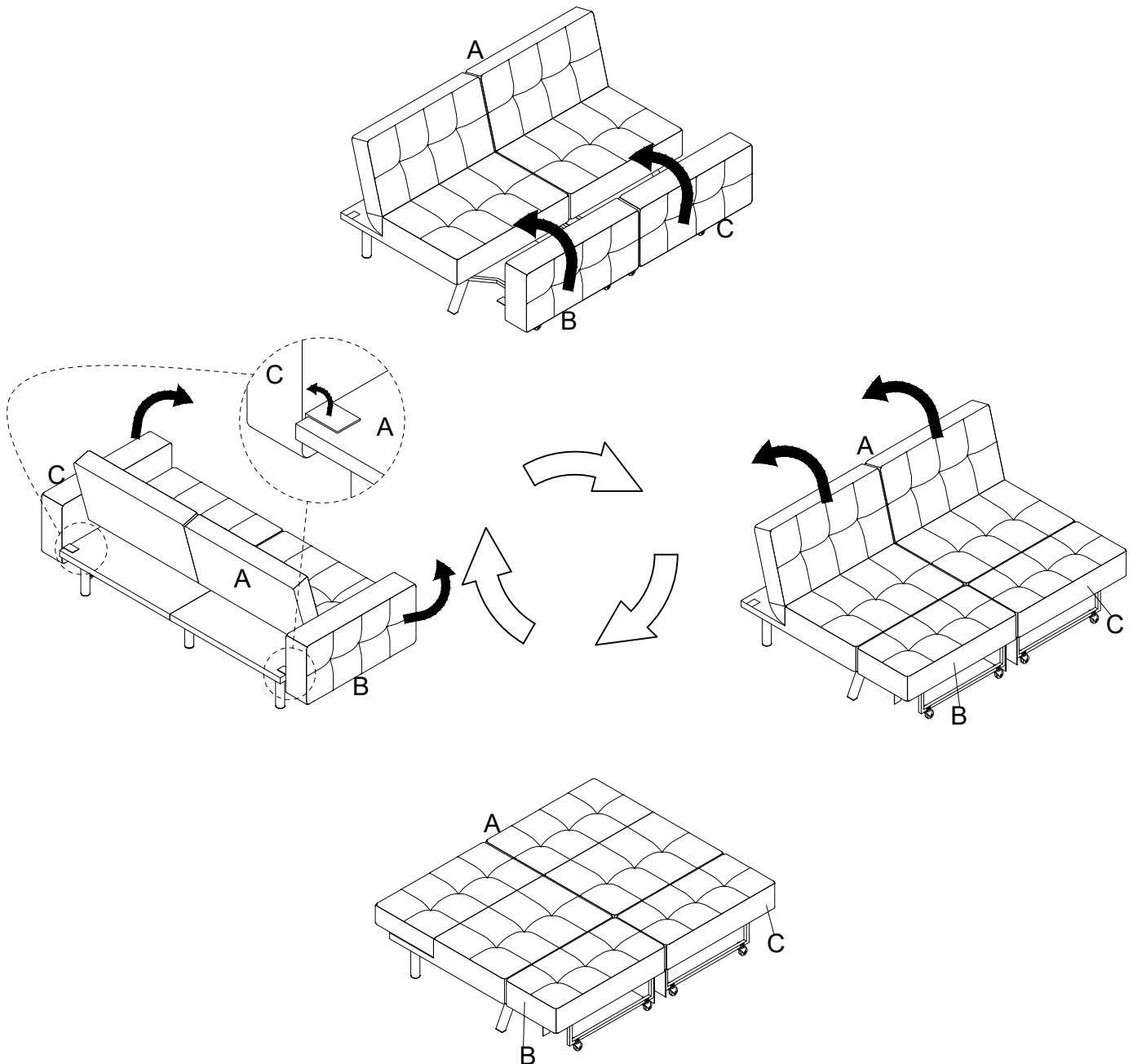
**9**

Attach the Velcro from the Cover (L) to the Left & Right Bottom Frame (D & E).



**10**

Futon can be made into different styles by moving Left & Right Arm (B & C) and raising or lowering the back of Sofa (A) as shown.



## Cleaning & Care

Treat surfaces with care. Surfaces are resistant to scratches but are not scratch resistant. Clean surfaces with a dry or damp soft cloth. Do not use abrasive cleaners. Hardware may loosen over time. Periodically check that all connections are tight.