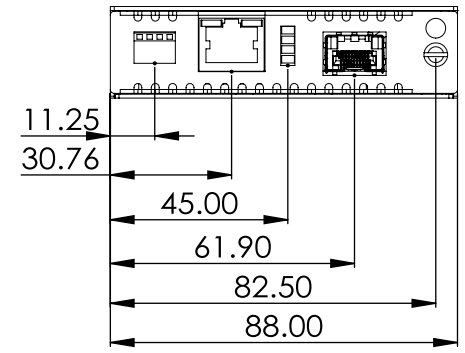
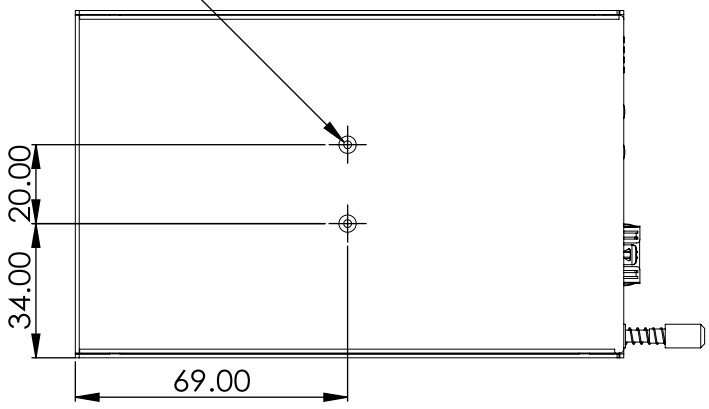
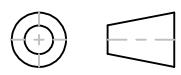


M2.6 (2 PLCS)



THIRD ANGLE PROJECTION



GENERAL NOTES

DIMENSIONS ARE IN MM - DO NOT SCALE
 THIS DOCUMENT CONTAINS CONFIDENTIAL, PROPRIETARY INFORMATION THAT IS PROPERTY OF STARTECH.COM



PRODUCT ID	ET91000SM10		
DESCRIPTION	Gigabit Ethernet Copper-to-Fiber Media Converter - SM LC - 10 km - TAA		
DO NOT SCALE	SHEET: 1 OF: 1	UPLOAD DATE: 9/24/2024	