

## 3M™ Powered & Supplied Air Respirators



# 3M™ VersaFlo™ V-500 Regulator

## Care and Maintenance

To maintain protection levels, optimise the effective lifetime of the system and avoid the additional cost of replacement, it is extremely important to carry out regular checks and maintenance on Powered and Supplied Air Respirators.

### Before Use

- Ensure Couplings are securely fitted
- Inspect Breathing Tube – ensure it is free from splits or holes. Replace if necessary
- Inspect Belt – ensure it is free from splits or tears and the buckle is undamaged
- Replace Filter if odour is detected during use

### Monthly

- Carry out all the 'Before Use' inspections and create record of this monthly check for the regulator

### Six Monthly

- Change Filter

### After Use

- Clean casing with cloth dampened with a mild solution of water and liquid household soap
- Disinfect surfaces with 3M™ 105 Wipes
- Store in a dry, clean area / locker away from direct sunlight, high temperatures and solvents

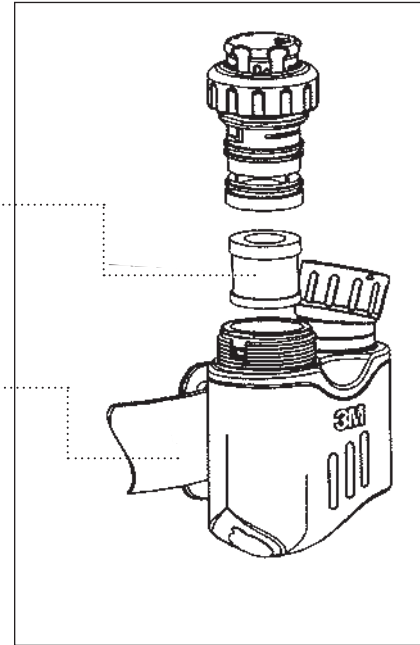
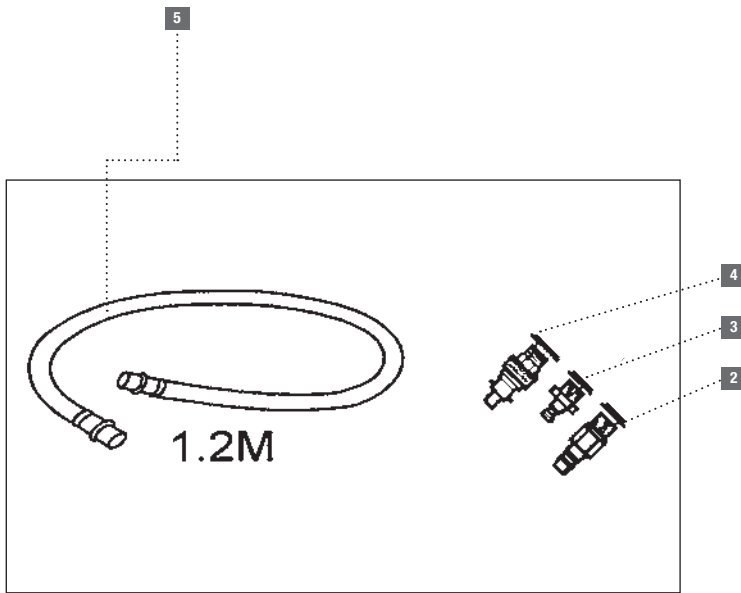
**3M Health & Safety Helpline**  
Monday - Friday 9 to 5

0870 60 800 60 UK  
1 800 320 500 IRELAND



**REPLACE ALL DAMAGED PARTS IMMEDIATELY TO  
ENSURE CORRECT LEVELS OF PROTECTION**





		3M Part No
	V-500 Regulator with Belt	023-05-50P
1	Replacement Filter pack with 'O'-rings	023-05-51P5
2	Coupling for belt unit – CEJN '342' – plug, 1/4" BSP male	530-12-53P3
3	Coupling for belt unit – Rectus '25' – plug, 1/4" BSP male	530-12-52P3

4	Coupling for belt unit – Broomwade 'Instantair' – plug, 1/4" BSP male	741019-00P3
5	Spray gun hose kit	023-05-45P3
6	Belt	301-00-62P5

### Ordering Consumables, Repair Parts and Accessories

To request a quote or place an order for these items, please contact your 3M Approved Distributor.

### Further Information and Advice

If you require additional guidance on the Care and Maintenance of your 3M Powered and Supplied Air Equipment, please contact the Helpline or your local 3M representative.



#### Occupational Health & Environmental Safety Group

##### 3M United Kingdom PLC

3M Centre,  
Cain Road, Bracknell  
Berkshire RG12 8HT  
Tel: 0870 60 800 60  
www.3M.co.uk/ohes

##### 3M Ireland Limited

The Iveagh Building  
The Park  
Carrickmines  
Dublin 18  
Tel: 1 800 320 500

Please recycle.  
Printed in the United Kingdom.  
© 3M 2010. All rights reserved.