

BFLSLD-60"

Shower Enclosure Installation Guide

Galaxy Fluted Sliding
Bathtub Enclosure



Read all Instructions Prior to Installation.
Professional Installation Required.



Watch Installation Video Prior to Installation.

GLASSWAREHOUSE

Contents

Important Safety Information4
What is Included in Your Install Kit6
Installation Tools.7
Pre-Installation Steps8
Installation Steps	12
Thank You.	33
Hardware Care & Maintenance.	34
Glass Care & Maintenance	35
Warranty	38





WARNING!

Important Safety Information

Read Before Installing

- To reduce risk of injury, this product must be installed by a professional or by an individual experienced in glass installation and familiar with the structural and safety requirements of this type of project.
- Do **NOT** attempt to lift or carry a large glass panel alone. To prevent injury or damage, always use assistance and/or professional-grade suction cups to safely position and secure the glass.
- Always handle tempered glass with extreme care. To reduce risk of breakage, do **NOT** lean, rest, or apply force to installed or uninstalled glass panels.
- Glass Warehouse reserves the right to modify, improve, or redesign any product at any time, without prior notice, to enhance performance or user safety.
- The safety of the installation is the sole responsibility of the installer.
- Some installations require drilling into the threshold or tile. Always consult the manufacturer of your base or tile material before drilling.
- Illustrations and diagrams in this guide are for reference only and are not to scale.

Tempered Glass Safety Warning

Tempered glass can shatter without warning if mishandled, installed incorrectly, or subjected to stress.

Do NOT install or use any glass panel that:

- Has chipped corners, slivered edges, or visible damage.
- Has been dropped or impacted against any hard surface (tile, marble, glass, etc.).

Primary causes of tempered glass breakage include:

- Improper handling, storage, or installation.
- Missing or misaligned hardware, gaskets, or brackets.
- Excessive pressure or impact on glass edges or corners.
- Loose rollers or moving parts, misaligned brackets or hardware, or overtightened fittings.
- Aggressive operation or misuse (slamming, leaning, or hanging on panels).

Even small imperfections or misalignment can cause delayed spontaneous breakage, hours or days later, due to stress concentration on the glass edges.

If damage is suspected, discontinue use immediately and contact Glass Warehouse customer service.

Installation & Preparation

- Carefully inspect all packaging before beginning installation. Verify all parts are present using the product diagram and report any missing or damaged components within 30 days of delivery.
- Glass Warehouse will not replace damaged or missing components after this period or once installation has begun.
- Check that walls are plumb, level, and square before installing. Improper wall angles or uneven thresholds can cause stress on the glass and result in product failure.
- Always install against finished (tiled) walls and thresholds only.
- If installing into a fiberglass enclosure always mount panel-supporting hardware to studs.
- Protect all glass surfaces during installation – never place glass directly on tile or concrete. Keep corner protectors in place until panels are ready to be installed.
- Always wear appropriate personal protective equipment (PPE) – safety glasses, gloves, and non-slip footwear.

Safety & Maintenance

WARNING: To reduce risk of injury or death:

- Read and follow all installation instructions.
- Do **NOT** use non-Glass Warehouse provided component parts for installation.
- Do **NOT** allow children to play with, hang from, or slam the sliding door.
- Do **NOT** lean or push against the glass panels at any time.
- Inspect all glass and hardware regularly for signs of loosening, corrosion, or misalignment. Tighten or replace as necessary.

NOTICE: To reduce risk of damage associated with water leaks:

- Use mild, non-abrasive cleaners only. Avoid acids, bleach, or harsh chemicals.
- Replace any damaged or missing seals immediately to prevent leaks and maintain structural integrity (see contact information below).
- Always allow 36 hours minimum for silicone to cure before using the shower.

Important Safety Information







(Continued)

Risk of Injury or Death

Glass Warehouse assumes no responsibility for injury or property damage resulting from:

- Improper installation or modification of components
- Failure to follow the instructions provided
- Use of damaged or misaligned glass panels
- Neglect or improper maintenance

Install Guide Legend

	Indicates a hazardous situation that, if not avoided, will result in death or serious injury.
	Indicates a hazardous situation that, if not avoided, could result in death or serious injury.
	Indicates a hazardous situation that, if not avoided, could result in minor or moderate injury.
	Indicates practices not related to personal injury.
	Indicates recommended practice / correct method.
	Indicates not recommended practice / incorrect method.

**All drawings in this installation manual are for illustrative purposes only and are not drawn to scale.*



Have Questions? Need Some Help?

Contact Us!

Email: inquiries@GlassWarehouse.us

Phone: (760) 536-3640

Hours of Operation:

Monday - Thursday: 8:00AM - 5:00PM PST

Friday: 8:00AM - 4:00PM PST

Saturday: 8:00AM - 12:30PM PST

About Our Glass

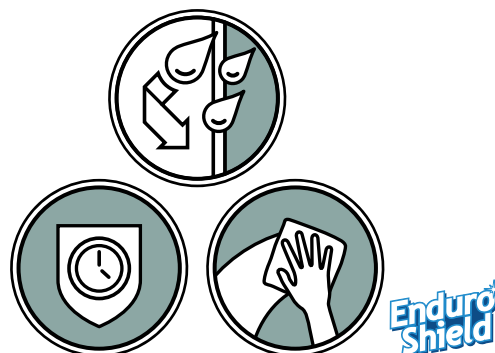
Highest Standard Glass Panels

Our glass panels exceed most manufacturers standard height and thickness, providing extra protection against overspray and splashing and ensuring long-term durability.



Tempered Safety Glass

Manufactured to SGCC standards with ANSI Z97.1, 16 CFR 1201 & CGSB 12.1 certification. This tempering process makes our shower doors extremely resilient and extra strong.



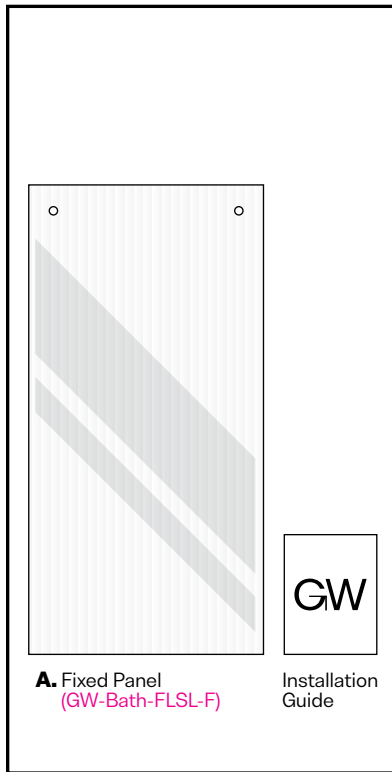
Protective Glass Coating

Glass treated with ENDURO SHIELD®, the revolutionary non-stick treatment that repels soap scum, grime, dirt, and reduces cleaning time by up to 90%.

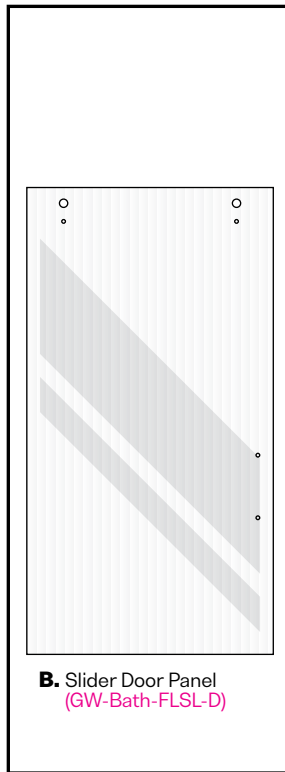
What is Included in Your Install Kit

Your Order Will Ship in 4 Boxes

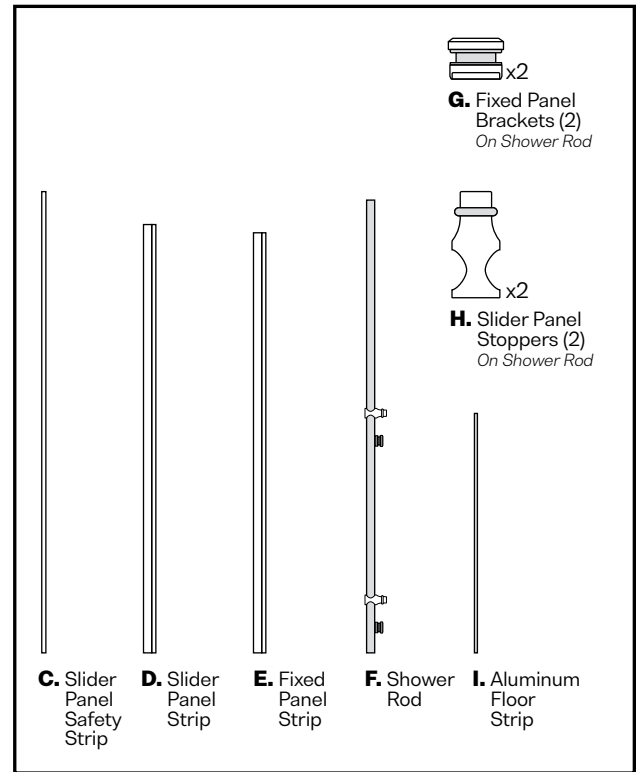
Box 1 of 4



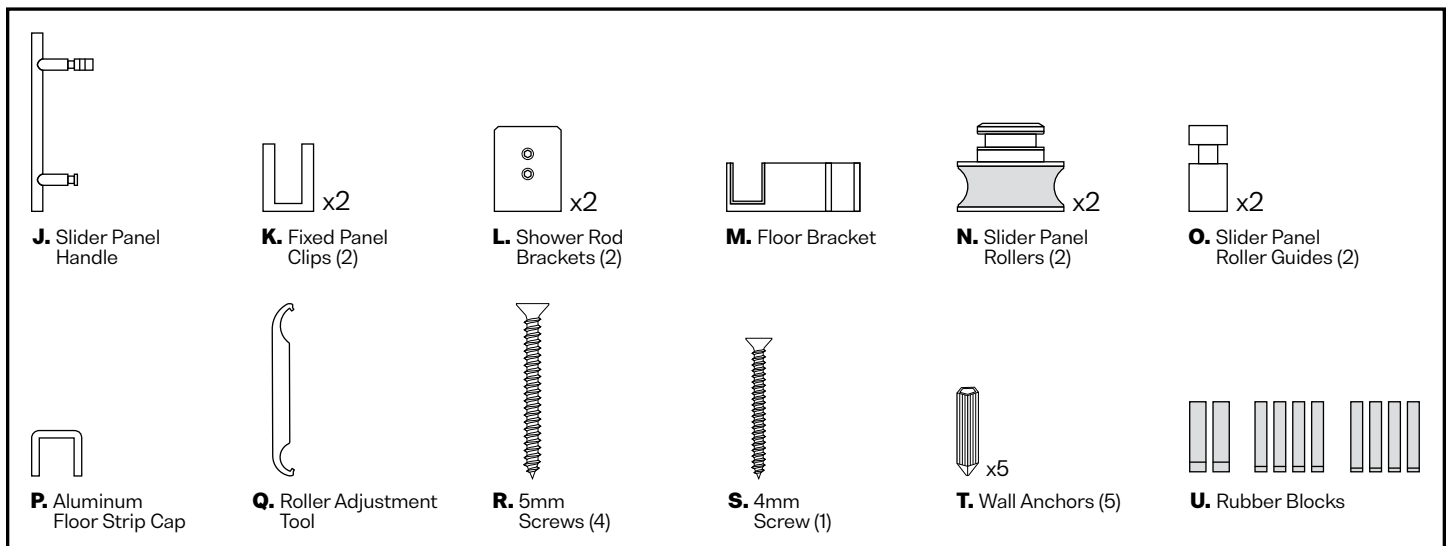
Box 2 of 4



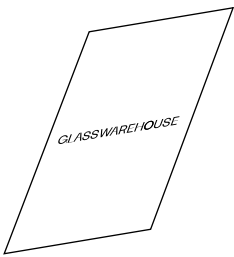
Box 3 of 4



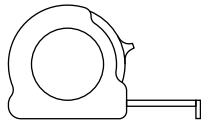
Box 4 of 4



Installation Tools



T1. Cardboard Packaging



T2. Measuring Tape



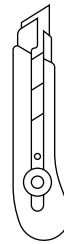
T3. Pencil



T4. Long Level



T5. Level



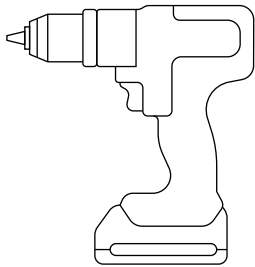
T6. Utility Knife



T7. Phillips Head Screwdriver



T8. Flat Head Screwdriver



T9. Drill

1/8" or 3.2mm 1/4" or 6.4mm 1/8" or 3.2mm 1/4" or 6.4mm



T10. 1/8" Drill Bit



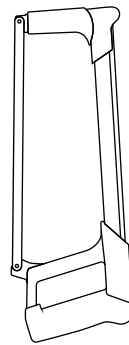
T11. 1/4" Drill Bit



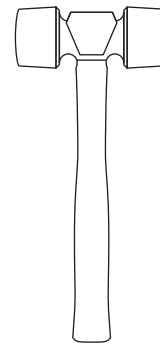
T12. 1/8" Tile Drill Bit



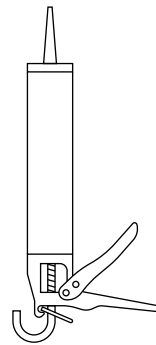
T13. 1/4" Tile Drill Bit



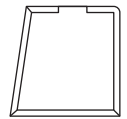
T14. Hacksaw



T15. Rubber Mallet



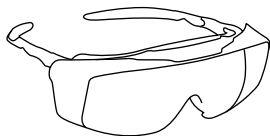
T16. Silicone



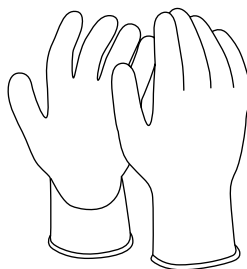
T17. Spatula



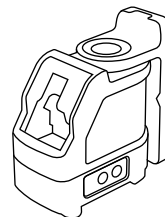
T18. Spray Bottle



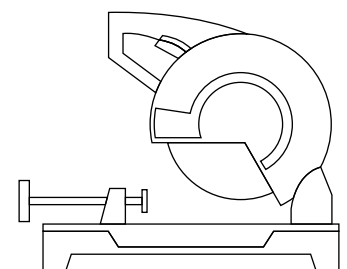
Safety Goggles



Cut Resistant Gloves



Laser Level (optional)



Chop Saw (optional)

Pre-Installation Steps

WARNING

Check Before You Install: Failure to complete all checks may result in improper installation, poor product function, and/or structural instability.

Threshold Drilling Required: Installation of this product requires drilling into the threshold. Ensure you are prepared to complete this step before beginning installation. Failure to do so may prevent proper installation.

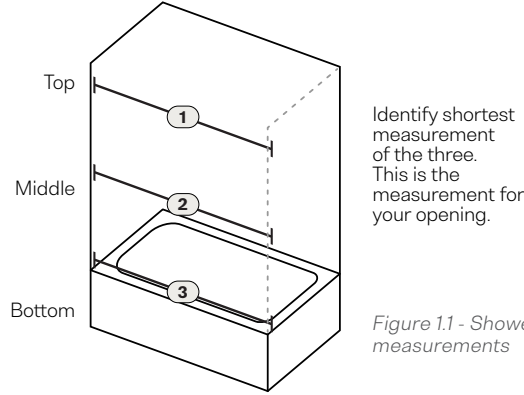


Figure 1.1 - Shower opening measurements

01

Before beginning installation, complete the following checks to ensure proper fit and assembly.

- a. Measure the width of your shower opening at the **Top, Middle,** and at the **Bottom.**
- b. Compare the three measurements and identify the **Shortest Opening Measurement.** This is the only measurement that should be used for sizing confirmation. (Fig. 1.1)
- c. **Confirm Model Size** - Measure your opening and verify that you have received the correct model for your shower opening. Refer to the table below to confirm the model number corresponds with your measured width range:

Model	Adjustable Width	Door Panel Size	Fixed Panel Size	Opening Width/Walkthrough	Height
BFLSLD-60-R	56" - 60 ¼"	31 ½" x 60"	30" x 60"	24" - 28"	60"
BFLSLD-60-L	56" - 60 ¼"	31 ½" x 60"	30" x 60"	24" - 28"	60"

Table 1.1 Galaxy Fluted Round Slider Adjustable Width & Panel Sizes

- d. **Verify Threshold Width** - If your shower installation features a raised threshold, the completed threshold must be a minimum width of **2 ¾"** or this model will not fit your space. (Fig. 1.2)
- e. **Confirm Installation Requirements** - This installation requires drilling into the threshold. Verify you are able to complete this step before proceeding. (Fig. 1.3)

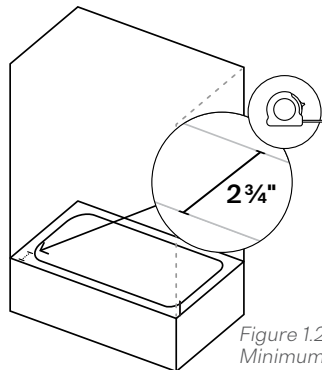


Figure 1.2 Galaxy Fluted Round Slider Minimum Threshold Width

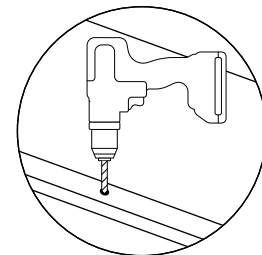
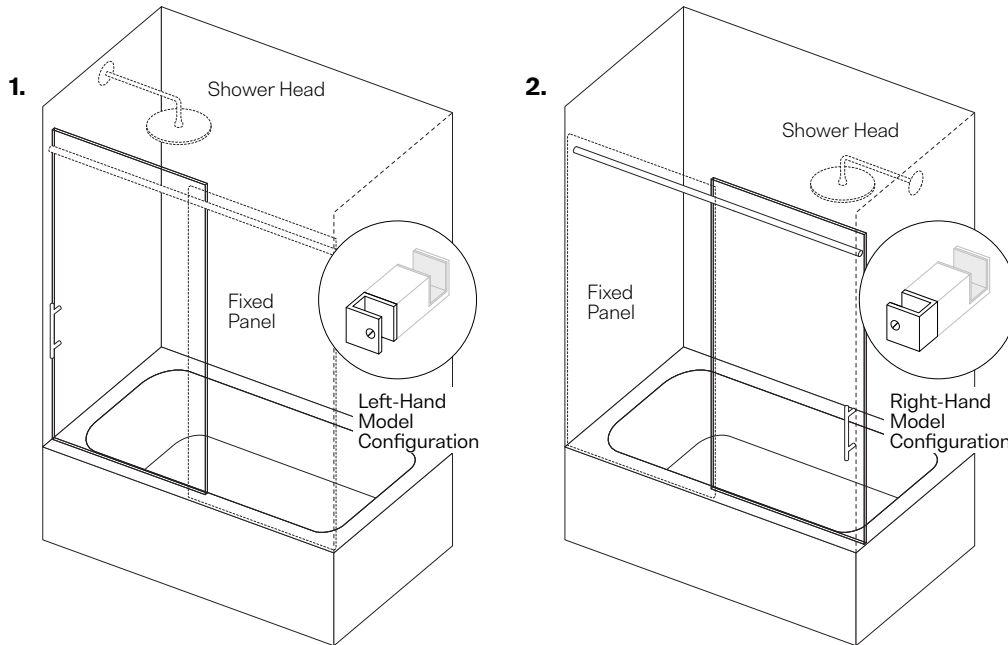


Figure 1.3

Confirm Model Orientation

a. Determine which side of the bathtub/shower contains the shower head. Glass Warehouse highly recommends installing the sliding door panel on the same side as the shower head to help minimize water escaping through the gap between the glass panels.

- 1.** Left-Hand Models (**BFLSLD-60-L**): Sliding door panel installs on the left side.
- 2.** Right-Hand Models (**BFLSLD-60-R**): Sliding door panel installs on the right side.



! WARNING

Only Use Parts Supplied by Glass Warehouse: Use only components and hardware supplied by Glass Warehouse. Substituting or modifying parts may compromise structural integrity, void the warranty, and/or result in improper installation.

Inspect all components

- a.** Unpack the enclosure and verify that all required components and hardware are included according to the parts list. Verify that all parts are complete. (e.g., grub screws have rubber tips, plastic inserts are included with Floor Bracket, correct number of screws included, etc.).
- b.** If any parts are missing or damaged, or if you cannot drill into threshold, **DO NOT BEGIN INSTALLATION.**

Contact Glass Warehouse Customer Support for assistance and replacement parts.



Have Questions? Need Some Help?

Contact Us!

Email: inquiries@GlassWarehouse.us

Phone: (760) 536-3640

WARNING

Check Before You Install: Skipping the Owner's Manual or installation video can lead to incorrect assembly, or glass breakage.

03

Before beginning installation, complete the following checks to ensure proper fit and assembly.

- a. Do not begin installation until you have thoroughly reviewed the Owner's Manual and installation video. These materials contain critical safety and alignment information required for a successful installation. Always review both in full before you begin.



Watch the video: View our animation video to assist your installation of the Galaxy Fluted Round Slider Bathtub Enclosure:

<http://qr.glasswarehouse.us/bgmo90>

WARNING

Save Cardboard Packaging for Installation: Always place glass panel on cardboard or other protective surfaces during installation. Failure to use protective surfaces can cause glass to chip, crack, or shatter, creating sharp edges. Improper handling of glass can result in death or serious injury.

04

Save cardboard packaging.

- a. When opening the Fixed Panel (**A.**) and Door Panel (**B.**) packaging, carefully remove all components but Do **NOT** discard the cardboard packaging. It provides essential protection for the glass panels during installation. Do **NOT** Place glass directly on tile, concrete, or other hard surfaces. This can result in chipping, cracking, or breakage that is not covered under warranty.

NOTICE

Glass Certification Stamp : All Glass Warehouse panels include a tempered safety glass certification stamp located in one corner of each panel.

05

Locate glass certification stamp on glass panels.

- a. Install all panels with the stamp positioned in the bottom corner closest to the wall where it will be less visible.
- b. For door panels the stamp must be located at the bottom of the enclosure to ensure proper alignment.
- c. The certification stamp is baked into the glass during the tempering process and cannot be removed.
- d. For Fluted panels, the fluted/textured side of the panel should always be on the outside of the shower enclosure.

Installation Steps

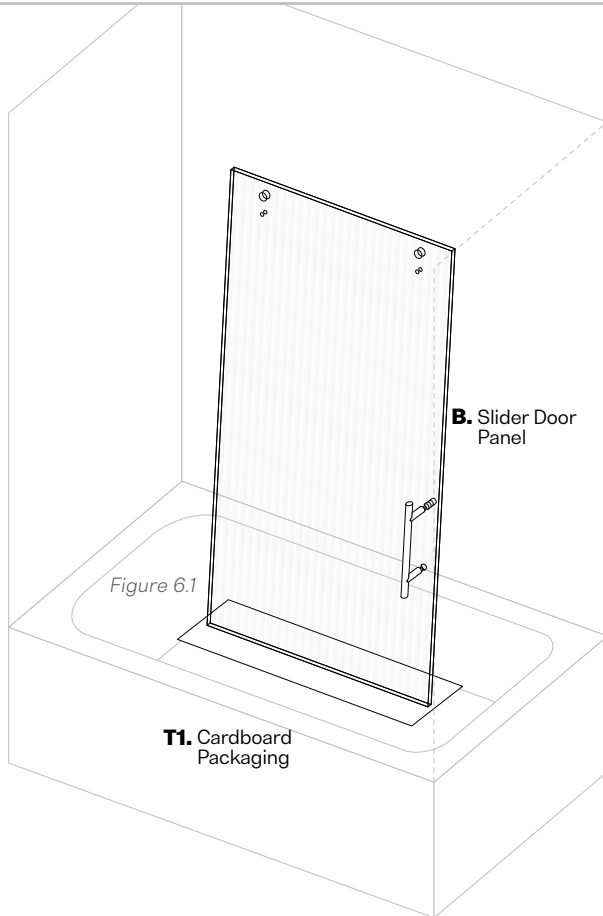
WARNING

Use Two People: Always use two people and handle tempered glass panels carefully. Improper lifting or installation can cause shattering, serious injury, or death.

For Fiberglass Walls: When installing on fiberglass walls, ensure a stud is directly behind the panel mounting location. Failure to do so may result in structural instability, and/or damage to the enclosure.

NOTICE

Reversible Installation: The Round Slider is fully reversible and the installation can begin on either the right or left wall.



06

Place Slider Panel Inside Shower

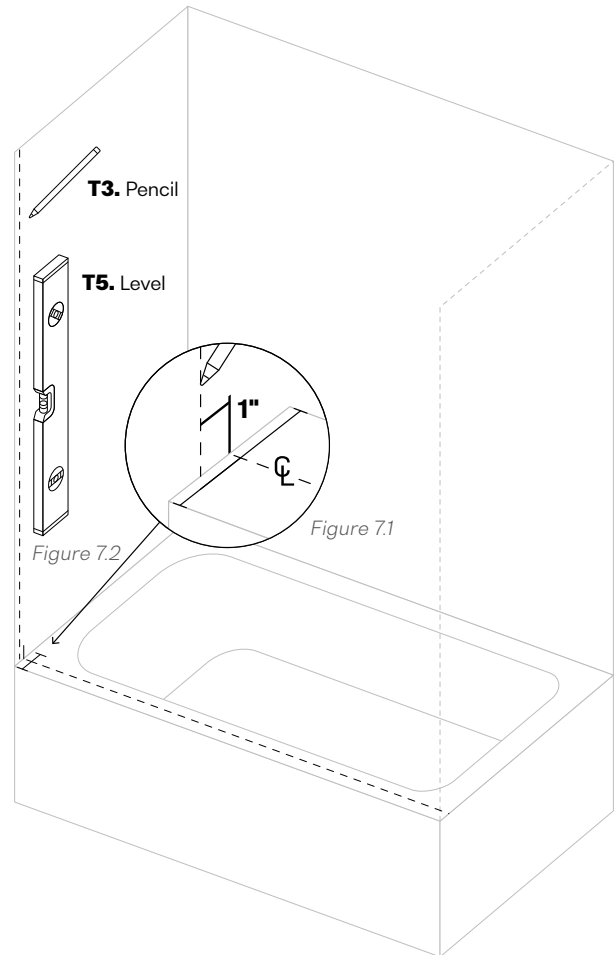
- Place the Slider Door Panel (**B.**) on cardboard (**T1.**) or other protective material to prevent edge damage or glass shattering as shown in (Fig 6.1)
- Align the handle holes toward the wall where Slider Door Panel (**B.**) will close. Correct orientation ensures easier installation after the Fixed Panel (**A.**) and Shower Rod (**F.**) are secured.

WARNING

Check Before You Install: Failure to complete all checks may result in improper installation, poor product function, and/or structural instability.

Minimum Threshold Width: If your shower installation features a raised threshold, the completed threshold must be a minimum width of $2\frac{3}{4}$ " or this model will not fit your space.

Tip: For easy removal, marking with a pencil is recommended



07

Measure and Mark Wall for Fixed Panel

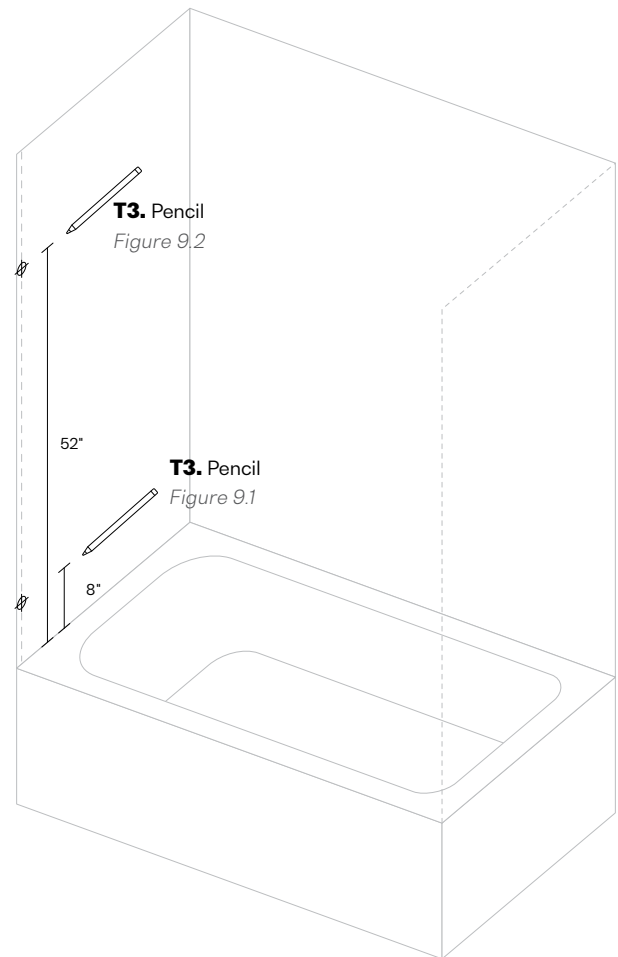
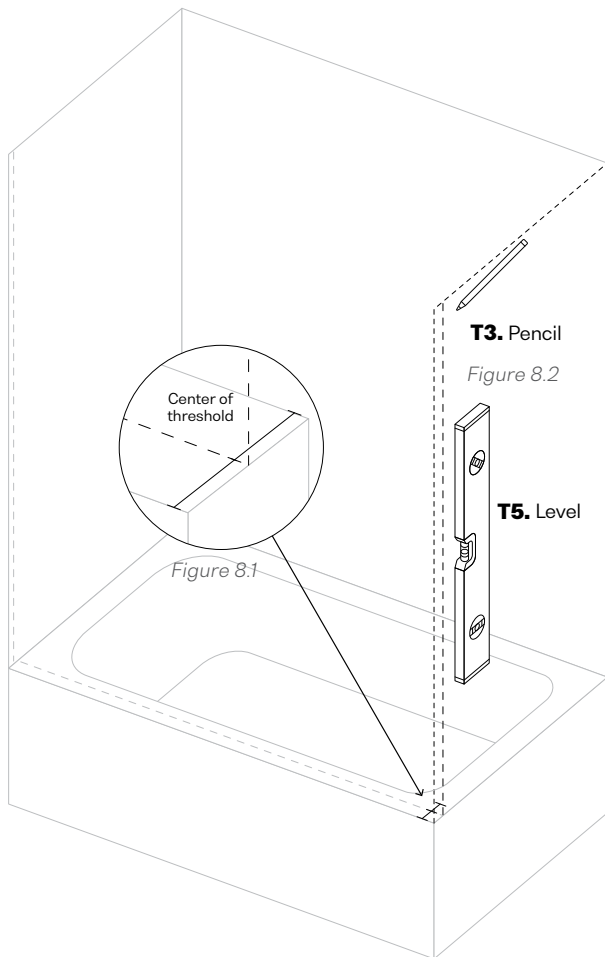
- Measure the width of the threshold tile where the shower door will be installed. Ensure the tile provides a minimum width of $2\frac{3}{4}$ " to accommodate this model shower enclosure. (Fig. 7.1)
- On the wall where the Fixed Panel (**A.**) will be installed:
 - Measure from the wall to the center of the threshold.
 - From this center point, measure **1"** toward the outer edge of the threshold and mark the wall with a Pencil (**T3.**)
- Using a Level (**T5.**), draw a vertical line. This line indicates the location for the Fixed Panel (**A.**) at this point. (Fig. 7.2)

Tip: For easy removal, marking with a pencil is recommended



NOTICE

Move Mounting Points: Mounting point marks can be moved 1/2" up or down to avoid drilling into grout



08

Mark wall for Shower Rod

- On the wall where the Slider Door Panel (**B.**) will close, measure to the center of the threshold tile (Fig 8.1).
- Using a Level (**T5.**), draw a vertical line at this point. This line will serve as a guide for installing the Shower Rod (**F.**) (Fig 8.2).

09

Mark Wall Clip installation positions

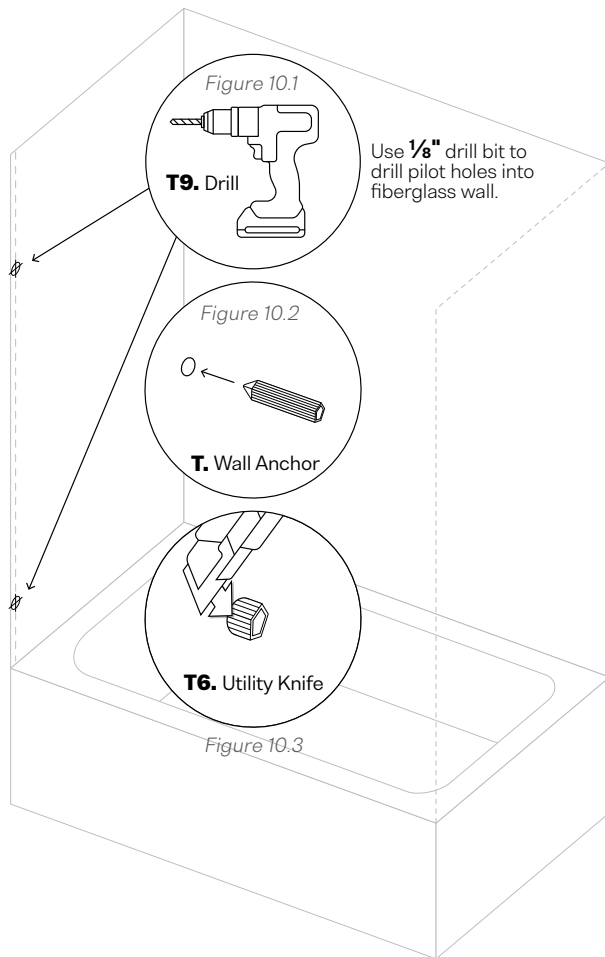
- Along the vertical line you drew in Step 3, measure **8"** (Fig 9.1) and **52"** (Fig 9.2) up from the finished floor and mark both points clearly with a Pencil (**T3.**). These marks indicate mounting positions for Fixed Panel Clips (**K.**).

WARNING

For Fiberglass Walls: When installing on fiberglass walls, ensure a stud is directly behind the panel mounting location. Failure to do so may result in structural instability, and/or damage to the enclosure.

NOTICE

Pilot Hole: A 1/8" tile drill bit can be used to create pilot holes for a tiled enclosure, but this is optional.



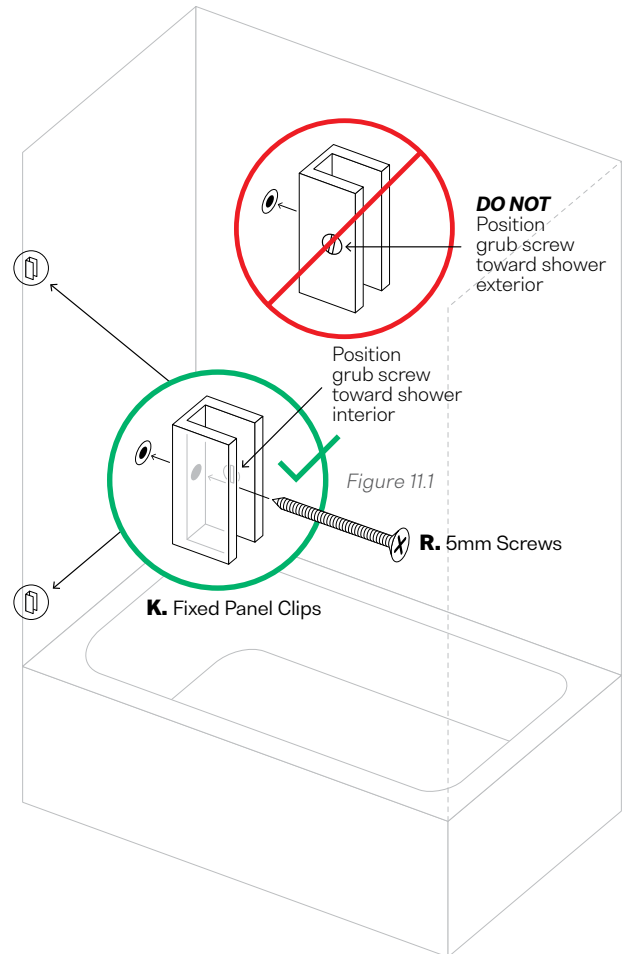
10

Drill mounting holes and install Wall Anchors

- For Fiberglass Walls:** Use a 1/8" Drill Bit (T10.) for pilot holes. **Do NOT** use the Wall Anchors (T.). Instead, attach the Fixed Panel Clip (K.) directly to the fiberglass using the provided 5mm Screws (R.).
- Using a 1/4" Drill Bit (T11.), drill holes at the marked Fixed Panel Clip (K.) locations on the wall (Fig. 10.1).
- Insert the provided Wall Anchors (T.) into each hole until fully seated (Fig. 10.2).
- Use a Utility Knife (T6.) to trim any excess Wall Anchor (T.) protruding from the hole so the Fixed Panel Clips (K.) sit flush against the wall (Fig. 10.3).

WARNING

Grub Screws: Ensure all grub screws in the Fixed Panel Clips include rubber tips to prevent contact damage to the glass panel. If any grub screws are missing rubber tips, do not proceed. Contact Glass Warehouse for replacement parts: inquiries@glasswarehouse.us



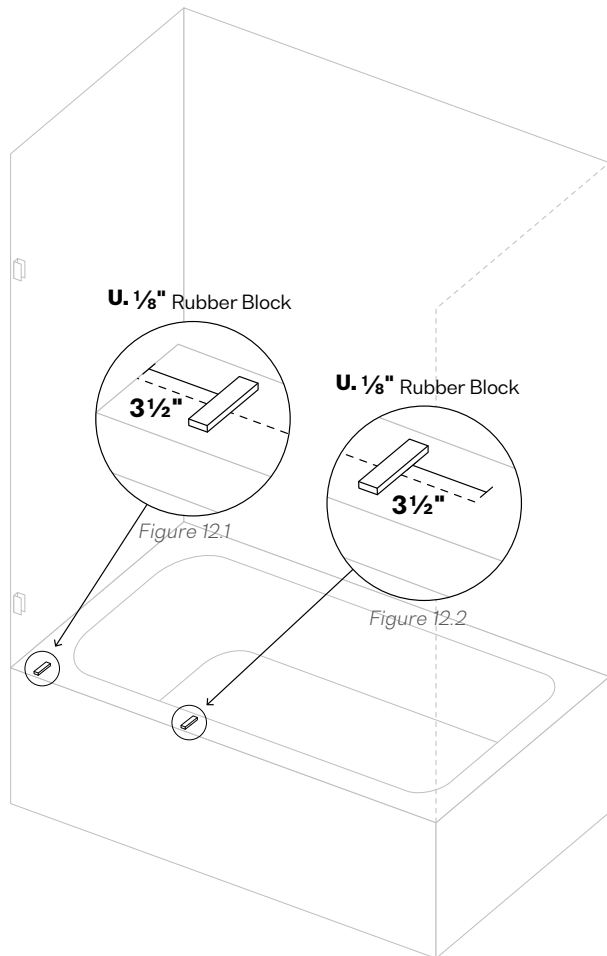
11

Install Fixed Panel Clips

- Place each Fixed Panel Clip (K.) over the drilled holes.
- Use a Drill (T9.) to fasten the Fixed Panel Clips (K.) to the wall with the provided 5mm Screws (R.).
- Ensure the grub screws on each Fixed Panel Clip (K.) face the shower interior (Fig. 11.1).
- Confirm all Fixed Panel Clips (K.) are tightly secured and flush with the wall surface.
- Once installed, the Fixed Panel Clips (K.) should not spin or move freely.

⚠ WARNING

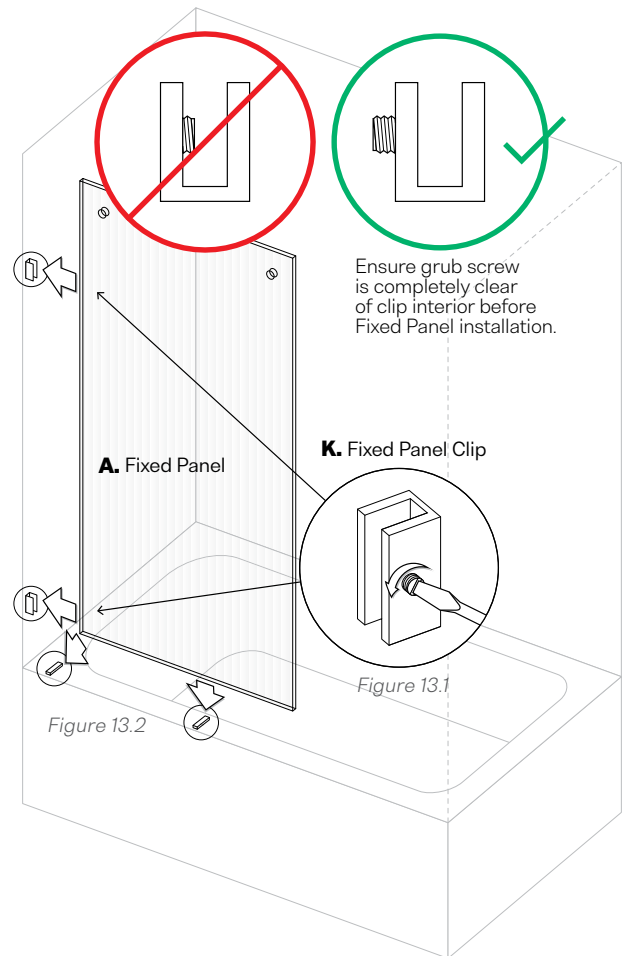
Check Rubber Blocks: Always verify Rubber Blocks are stable, aligned, and fully supporting the glass. Improperly positioned or uneven Rubber Blocks can place pressure on the glass edges, causing the tempered glass to crack or shatter without warning.



⚠ WARNING

Use Two People: Always use two people and handle tempered glass panels carefully. Improper lifting or installation can cause shattering, serious injury, or death.

Additional Rubber Blocks: Use additional Rubber Blocks (to raise or lower) and level Fixed Panel. Installing the Fixed Panel out of level can cause glass edge stress, breakage, or misalignment.



12

Install Rubber Blocks for Fixed Panel

- Measure 3 1/2" from the wall, mark this location, and place the first 1/8" thick Rubber Block (U.) on the threshold (Fig 12.1).
- Measure the Fixed Panel (A.) width and subtract 3 1/2". Mark that distance on the threshold. Place the second 1/8" thick Rubber Block (U.) on the threshold at this location (Fig 12.2).
- Ensure both Rubber Blocks (U.) are aligned and level. The Fixed Panel (A.) will rest directly on these supports.

13

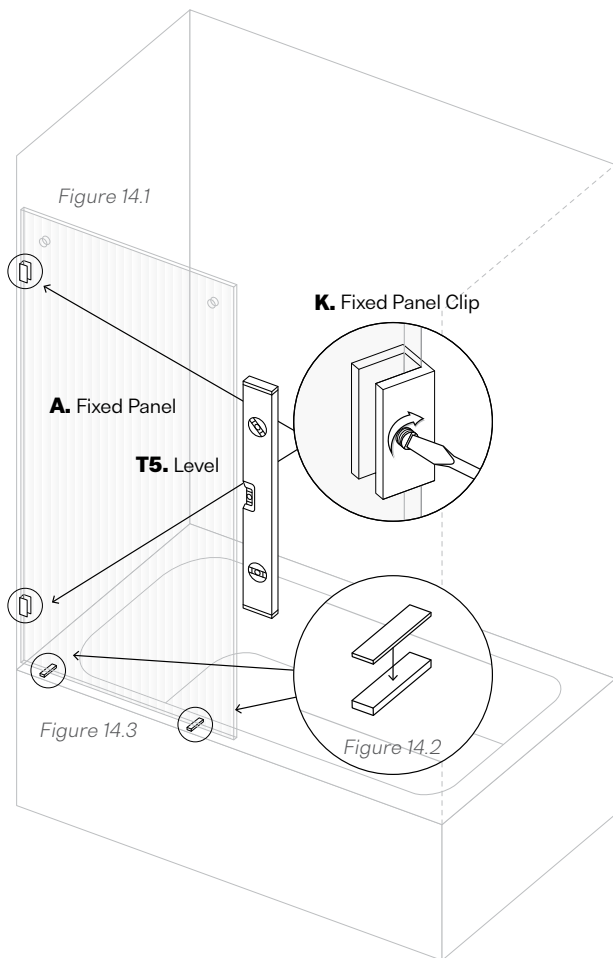
Set Fixed Panel into place with Rubber Blocks

- Use a Flat Head (T8.) to loosen the grub screws in Fixed Panel Clips (K.) (Fig. 13.1) so they will not interfere with placing the Fixed Panel (A.).
- Carefully place the Fixed Panel (A.) into the Fixed Panel Clips (K.) and onto Rubber Blocks (U.) (Fig. 13.2).
- Ensure the panel is fully seated in Fixed Panel Clips (K.) and resting securely on the Rubber Blocks (U.).

⚠ WARNING

Tighten Grub Screws: Tighten grub screws only until they hold the glass panel securely in place. **DO NOT** over-tighten. Excessive pressure can cause glass damage or breakage, resulting in personal injury.

Tip: Use additional Rubber Blocks on either existing blocks to raise/drop the fixed panel if required.



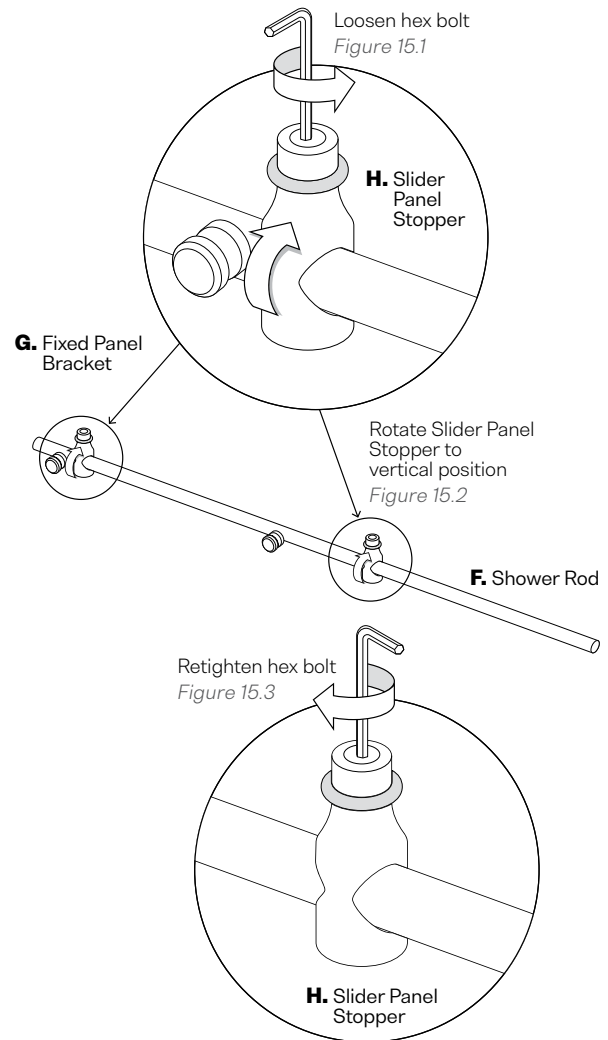
14

Complete Fixed Panel installation

- Use a Level (**T4**) to confirm the Fixed Panel (**A**) is perfectly level and seated securely on Rubber Blocks (**U**) (Fig 14.1). If not level, add additional Rubber Blocks (**U**) on threshold until level (Fig 14.2).
- Tighten grub screws in Fixed Panel Clip (**K**) to secure the Fixed Panel (**A**) in place (Fig 14.3).

⚠ WARNING

Hardware Alignment & Fit: Missing or misaligned hardware, gaskets, brackets, or overtightened fittings may result in glass breakage or system failure.



15

Adjust Slider Panel Stoppers to correct position.

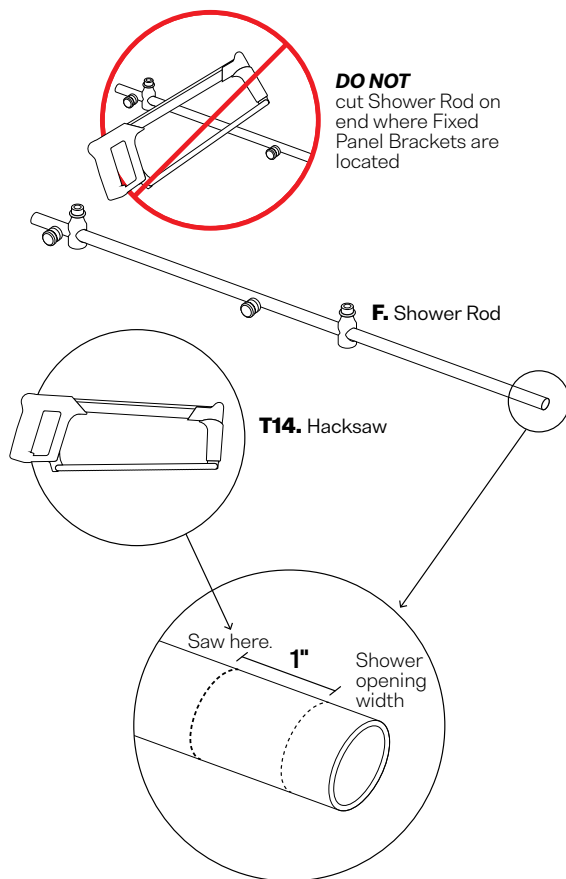
- On Shower Rod (**F**), loosen Slider Panel Stoppers (**H**) with hex key (Fig 15.1).
- Rotate both Slider Panel Stoppers (**H**) vertically until perpendicular to Fixed Panel Bracket (**G**) (Fig 15.2).
- Retighten Slider Panel Stoppers (**H**) with hex key once in place (Fig 15.3).

⚠ WARNING

Using Power Tools: Only use power tools if you have experience and understand proper safety procedures. Always wear eye protection, gloves, and other appropriate safety gear when cutting metal. Improper use of cutting tools can cause severe lacerations, electric shock, or other serious injuries. Failure to follow proper safety precautions could result in death or serious injury.

NOTICE

Cutting Shower Rod: Cut the Shower Rod only at the end opposite the Fixed Panel Brackets. Cutting the wrong end will prevent proper alignment and installation of the Shower Rod assembly, rendering it unusable.

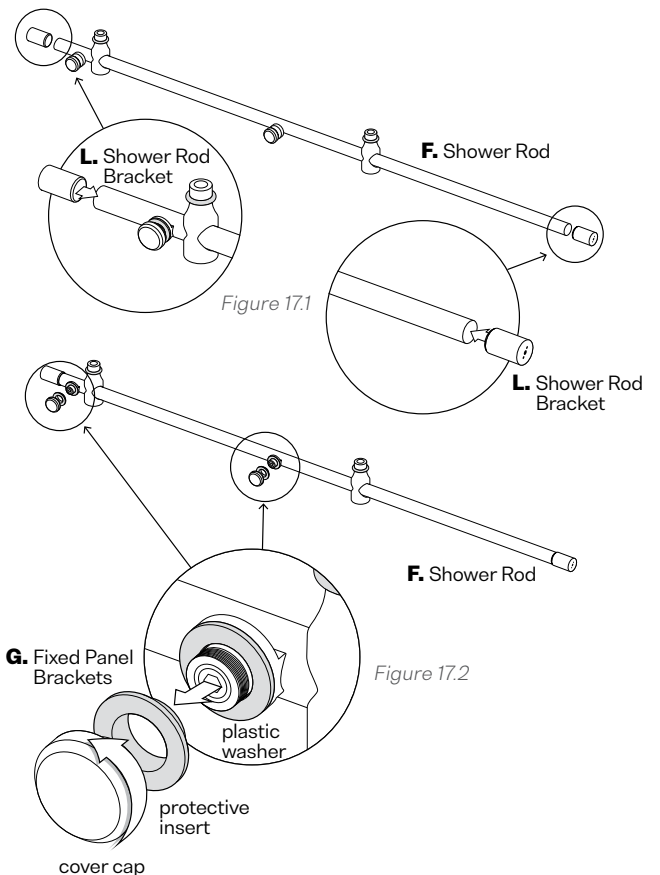


16

Measure and cut Shower Rod

- Measure the total width of your shower opening.
- Subtract 1" from your total measurement
EXAMPLE: If your opening measures 47", the Shower Rod (F.) should be cut to 46"
- Use a Hacksaw (T14.) or suitable power tool to cut the Shower Rod (F.) to the correct length. Ensure the end cut is clean and smooth to allow a proper fit.
- Confirm that your measured opening corresponds with the correct model number and size range.
See table 1.1 for complete list of size ranges

18



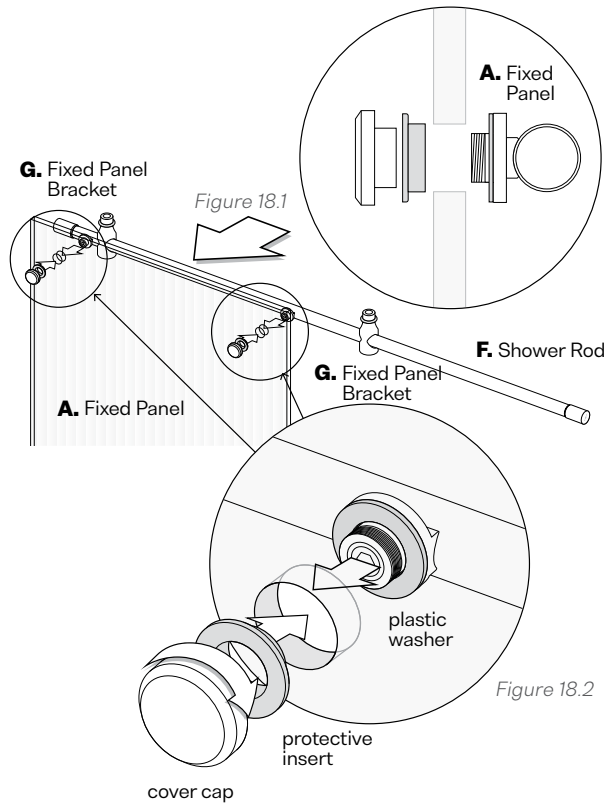
17

Prepare Shower Rod to attach to Fixed Panel

- Slide the Shower Rod Brackets (L.) onto each end of the cut Shower Rod (F.) (Fig 17.1)
- Remove the cover cap with protective insert from each Fixed Panel Bracket (G.) (Fig 17.2). The plastic washer stays on the Fixed Panel Bracket (G.). Set the cover caps and protective inserts aside for reinstallation later.

⚠ WARNING

Protective Inserts: Before tightening brackets, ensure all protective inserts and washers are in place. These prevent metal from contacting glass. Missing or improperly installed inserts may cause tempered glass to crack or shatter.



18

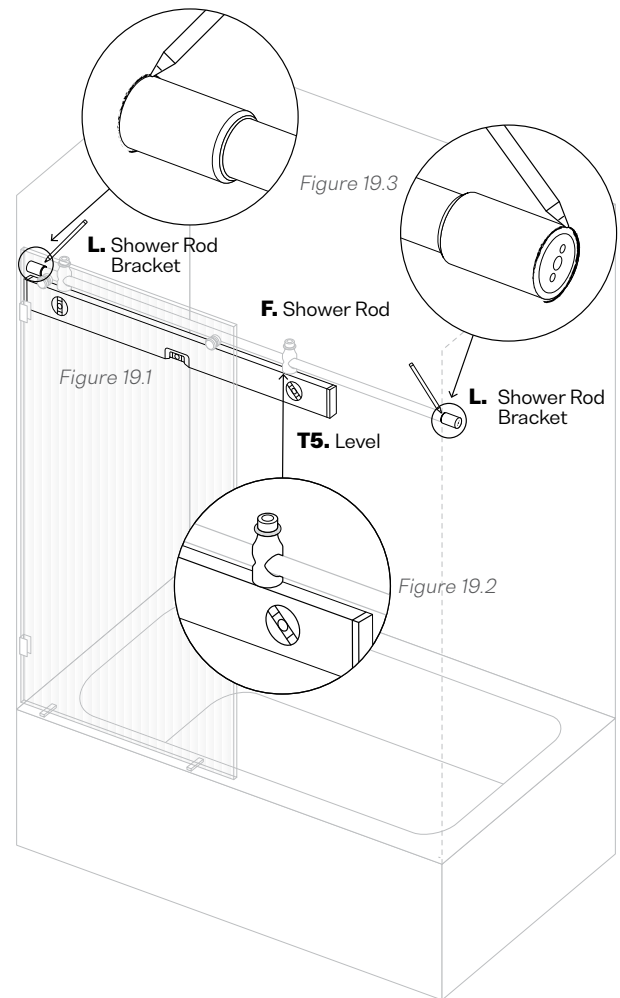
Attach Shower Rod to Fixed Panel

- Insert Fixed Panel Brackets (**G.**) into holes on Fixed Panel (**A.**) Be sure plastic washer is between Fixed Panel (**A.**) and Fixed Panel Bracket (**F.**) (Fig 18.1).
- If the brackets do not align perfectly with the holes in Fixed Panel (**A.**), loosen hex bolt on Fixed Panel Bracket (**G.**). Adjust bracket side to side until holes align correctly.
- Reinstall cover cap and protective insert on both Fixed Panel Brackets (**G.**) (Fig 18.2).

⚠ WARNING

Level Shower Rod: Shower Rod must be exactly level before marking or drilling any holes. An uneven rod can cause the Sliding Door Panel to drift open or close on its own, resulting in improper operation or damage to the enclosure.

Check Before You Install: Failure to complete all checks may result in improper installation, poor product function, and/or structural instability.



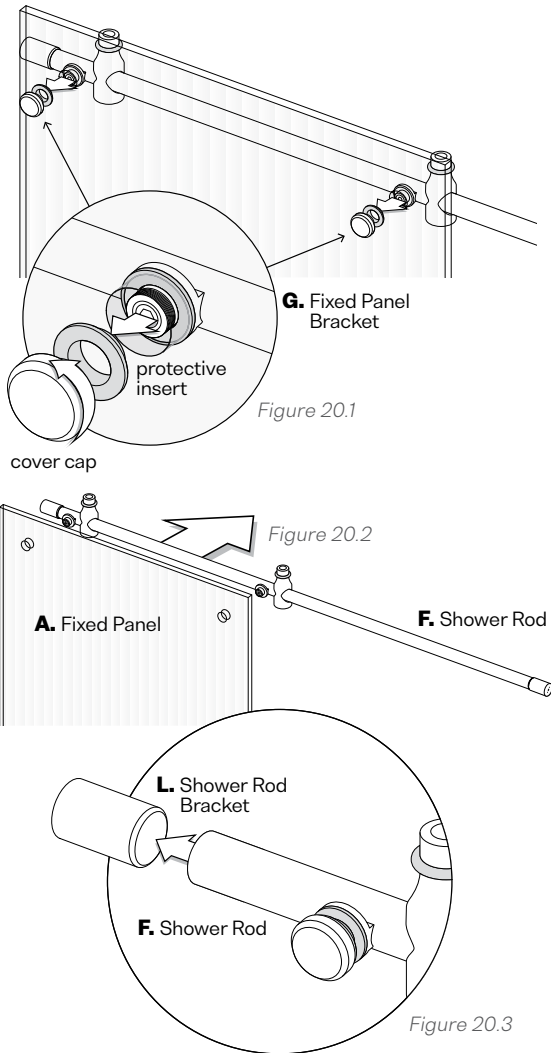
19

Level Shower Rod and mark for installation

- Place a Level (**T5.**) along the Shower Rod (**F.**) to ensure it is level from one wall to the other (Fig. 19.1). For stability, the Level (**T5.**) may be braced against the bottoms of both Slider Panel Stoppers (**H.**) (Fig. 19.2). Adjust as needed until level.
- Once level, trace the circumference of each Shower Rod Bracket (**L.**) where it meets the wall. These circles will mark the exact installation placement for the Shower Rod Brackets (**L.**) (Fig 19.3).

⚠ WARNING

Hardware Alignment & Fitment: Missing or misaligned hardware, gaskets, brackets, or overtightened fittings may result in glass breakage or system failure.



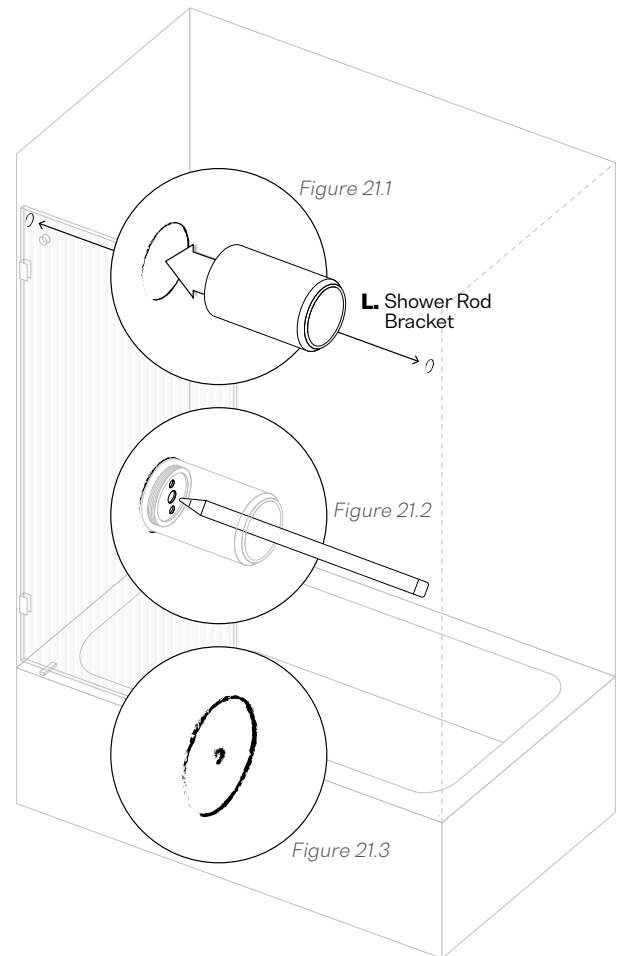
20

Remove Shower Rod from Fixed Panel

- a.** Carefully unscrew the cover caps on the Fixed Panel Brackets (G.), keeping all protective inserts and washers together with each bracket (Fig 20.1).
- b.** Remove the Shower Rod (F.) from the Fixed Panel (A.) (Fig 20.2).
- c.** Remove one of the Shower Rod Brackets (L.) from the Shower Rod (F.). This will be used to mark the screw hole locations on both walls (Fig 20.3).

⚠ WARNING

Check Before You Install: Failure to complete all checks may result in improper installation, poor product function, and/or structural instability.



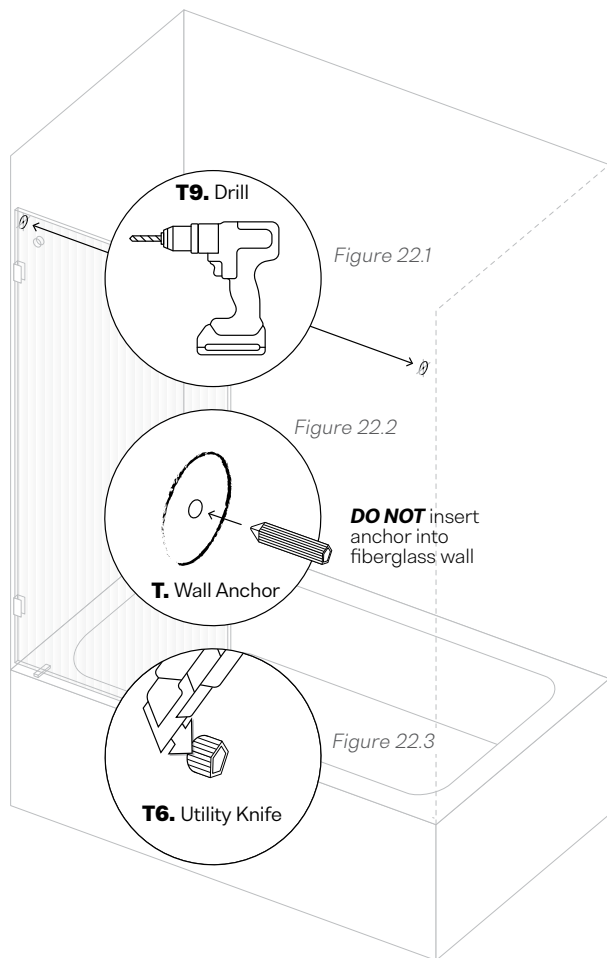
21

Mark drill hole location for Shower Rod Brackets

- a.** Center the Shower Rod Bracket (L.) on one of the drawn circles (Fig 21.1).
- b.** Mark the screw hole location in the center of the Shower Rod Bracket (L.). Repeat this process on the other wall (Fig 21.2).
- c.** You should now have a circle outline for each Shower Rod Bracket's (L.) position, with center marks for drilling (Fig 21.3).

⚠ WARNING

For Fiberglass Walls: When installing on fiberglass walls, ensure a stud is directly behind the panel mounting location. Failure to do so may result in structural instability, and/or damage to the enclosure.



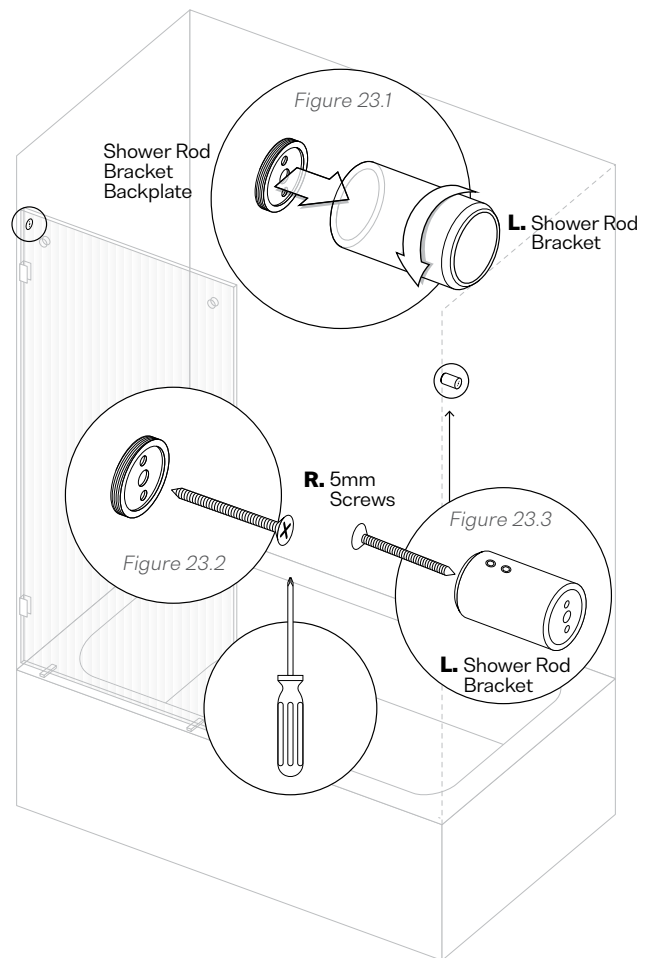
22

Drill wall holes for Shower Rod Brackets installation

- When drilling into fiberglass, use a $\frac{1}{8}$ " Drill Bit. (T10.) **DO NOT** use the Wall Anchors (T.) - secure the Shower Rod Bracket (L.) directly to fiberglass wall using the provided 5mm Screws (R.).
- Using a $\frac{1}{4}$ " Drill Bit (T11.), drill holes at the marked bracket locations on both walls (Fig 22.1).
- Insert the provided Wall Anchors (T.) into each hole (Fig 22.2).
- If any portion of a Wall Anchor (T.) extends beyond the wall surface, trim the excess with Utility Knife (T6.) so the bracket will sit flush against the wall (Fig 22.3).

⚠ WARNING

Hardware Alignment & Fitment: Missing or misaligned hardware, gaskets, brackets, or overtightened fittings may result in glass breakage or system failure.



23

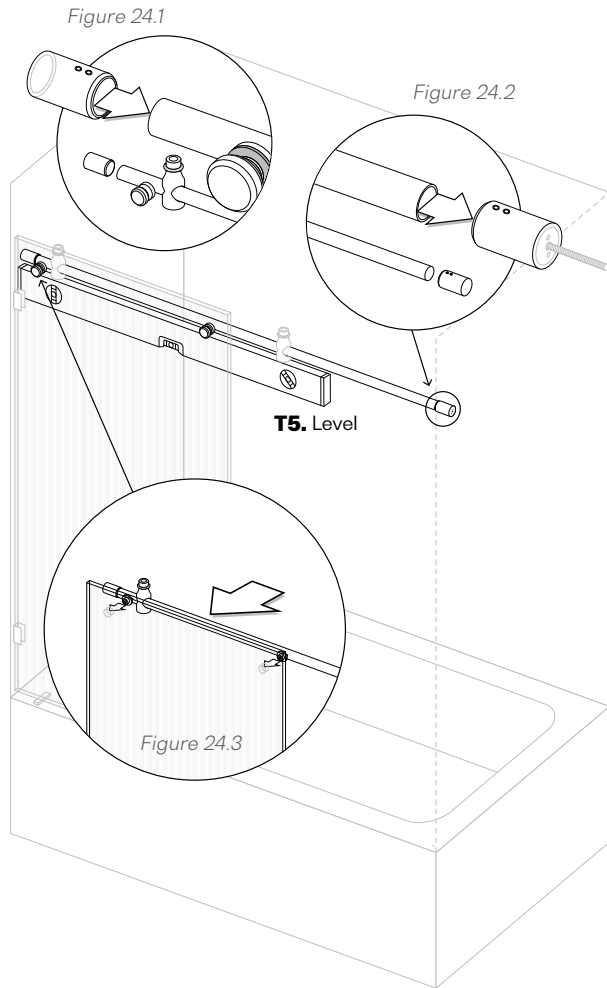
Install Shower Rod Brackets for Shower Rod

- Unscrew the round flat Shower Rod Bracket Backplate for the back of one of the Shower Rod Brackets (L.) (Fig 23.1).
- On the Fixed Panel (A.) side wall, install only the round flat Shower Rod Bracket Backplate. The rest of the Shower Rod Bracket (L.) will slide on to the Shower Rod (F.) (Fig 23.2).
- On the Slider Panel (B.) side wall, install the entire Shower Rod Bracket (L.) assembly (Fig 23.3).
- This configuration allows you to slide the Shower Rod (F.) into the complete Shower Rod Bracket (L.) on the Slider Panel (B.) side and then secure it to the fixing base on the Fixed Panel (A.) side.

WARNING

Hardware Alignment & Fitment: Missing or misaligned hardware, gaskets, brackets, or overtightened fittings may result in glass breakage or system failure.

Protective Inserts & Gaskets: Ensure all plastic inserts, washers, and gaskets are properly installed before tightening any hardware. These components prevent metal-to-glass contact. Missing or improperly installed components may cause glass damage, cracking, or shattering.



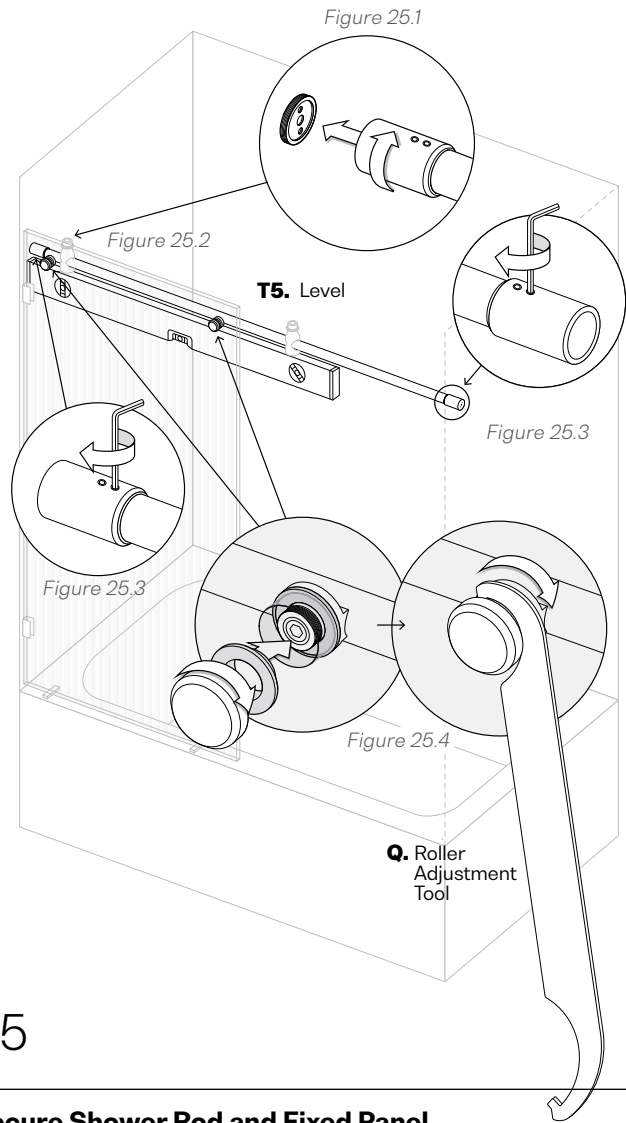
24

Install Shower Rod into Brackets and Fixed Panel

- a.** Slide the Shower Rod Bracket (**L.**) (without the backplate) onto the Shower Rod (**F.**) on the Fixed Panel (**A.**) side. Do not tighten the bracket at this time (Fig 24.1).
- b.** Insert the opposite end of the Shower Rod (**F.**) into the complete bracket assembly already attached to the wall on the Slider Panel (**B.**) side (Fig 24.2).
- c.** Insert Fixed Panel Brackets (**G.**) into holes on Fixed Panel (**A.**) Be sure plastic washer is between Fixed Panel (**A.**) and Fixed Panel Bracket (**G.**) (Fig 24.3).

WARNING

Hardware Alignment & Fitment: Missing or misaligned hardware, gaskets, brackets, or overtightened fittings may result in glass breakage or system failure.



25

Secure Shower Rod and Fixed Panel

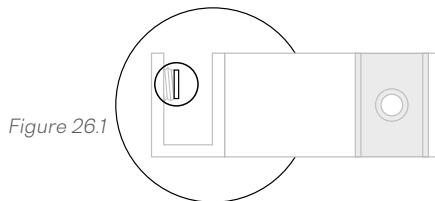
- a.** Slide the Shower Rod Bracket (**L.**) (without backplate) toward the Fixed Panel (**A.**) wall and align with the installed backplate. Rotate until fully seated (Fig. 25.1).
- b.** Confirm the Shower Rod (**F.**) and Fixed Panel (**A.**) are level (Fig. 25.2).
- c.** Tighten all hex screws on both Shower Rod Brackets (**L.**) until connections are secure (Fig. 25.3).
- d.** Reinstall Fixed Panel Bracket (**G.**) covers with protective inserts. Hand tighten first (Fig. 25.4, left), then fully tighten using the included Roller Adjustment Tool (Fig. 25.4, right). Ensure plastic washer is installed.

⚠️ WARNING

Rubber Tips on Grub Screws: Ensure the grub screws in the Floor Bracket have rubber tips. If a grub screw does not have a rubber tip, the glass could potentially shatter, causing injury. If any grub screws are missing rubber tips, do not proceed. Contact Glass Warehouse at inquiries@glasswarehouse.us for replacement parts.

⚠️ WARNING

Check Before You Install: Failure to complete all checks may result in improper installation, poor product function, and/or structural instability.



M. Bottom Bracket

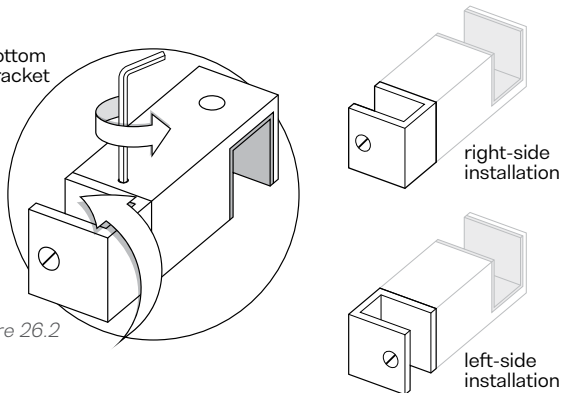


Figure 26.2

T8. Flat Head Screwdriver

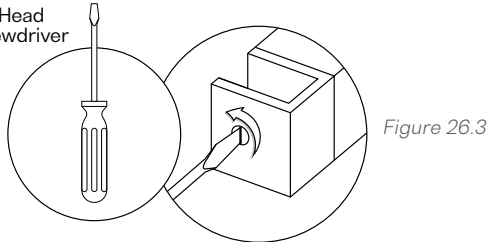
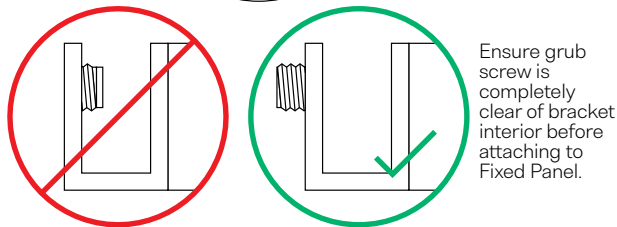


Figure 26.3



Ensure grub screw is completely clear of bracket interior before attaching to Fixed Panel.

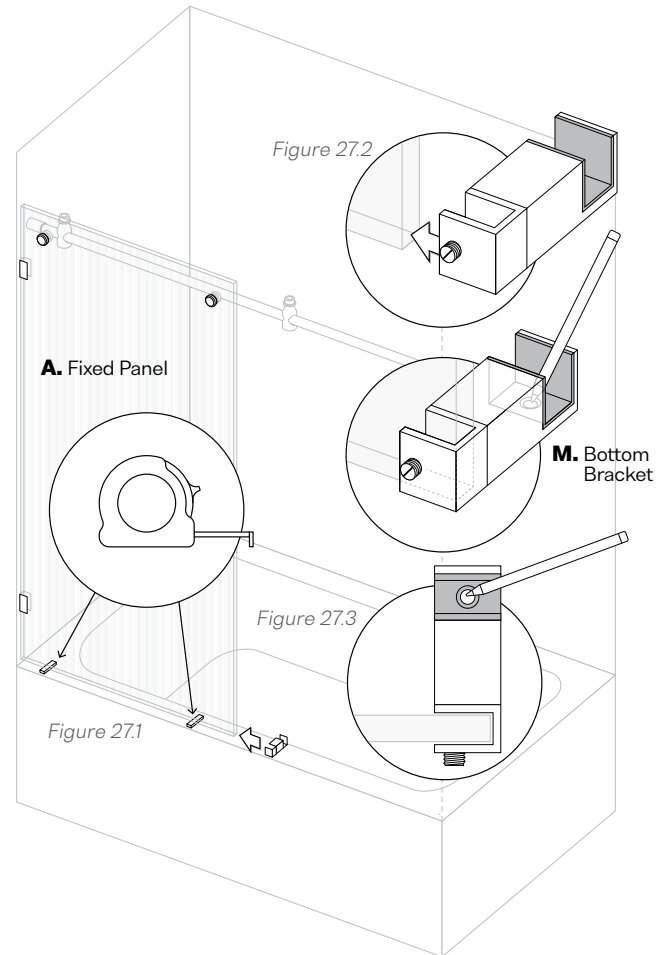


Figure 27.2

A. Fixed Panel

M. Bottom Bracket

Figure 27.3

Figure 27.1

26

Align and prepare Floor Bracket for installation

- Confirm there is a rubber tip on grub screw inside of the rotating fixed panel clip side of Floor Bracket (**M.**). If there isn't a rubber tip, contact Glass Warehouse customer service to get replacement part (Fig 26.1).
- Loosen the hex screw on the bottom of the Floor Bracket (**M.**). Rotate the fixed panel clip end to fit the Fixed Panel (**A.**) for left or right-side installation. Re-tighten hex screw after completing adjustment (Fig. 26.2).
- Use a Flat Head Screwdriver (**T8.**) to loosen the grub screw in the Fixed Panel Clip end of the Floor Bracket (**M.**) so that the gap is completely clear and will slide easily on to the Fixed Panel (**A.**) (Fig. 26.3).

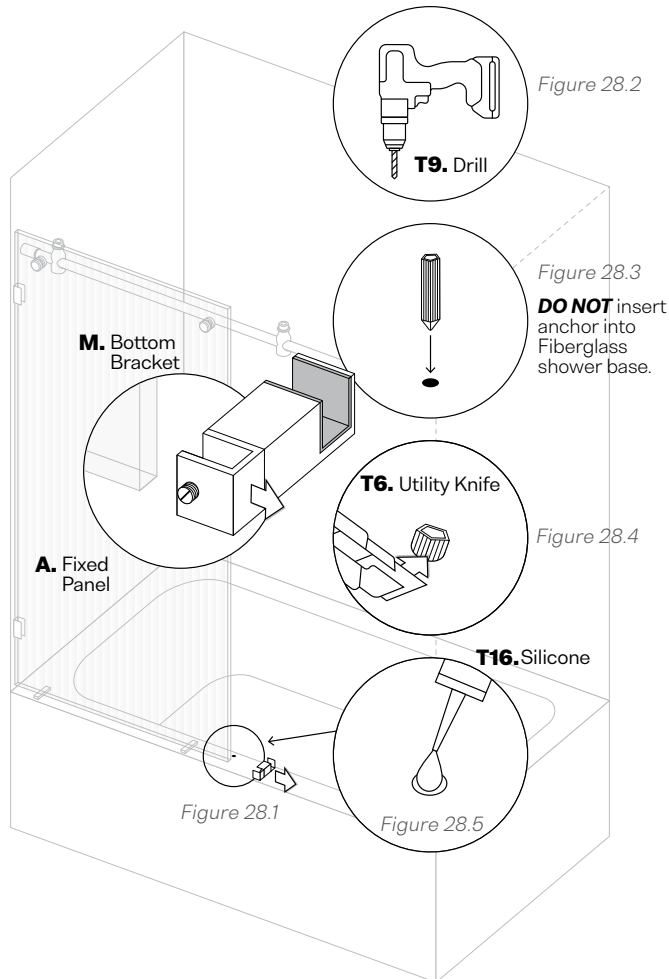
27

Mark Floor Bracket location for proper installation

- Verify that both bottom corners of the Fixed Panel (**A.**) are the same distance from the front edge of the threshold tile or fiberglass pan. Reconfirm that the Fixed Panel (**A.**) is level. This will ensure proper placement of Floor Bracket (**M.**) (Fig 27.1).
- Slide the Floor Bracket (**M.**) securely onto the Fixed Panel (**A.**). Be sure Floor Bracket (**M.**) is perpendicular to Fixed Panel (**A.**) (Fig.27.2).
- With the Floor Bracket (**M.**) properly positioned and securely against the Fixed Panel (**A.**), mark the hole location for drilling (Fig. 27.3).

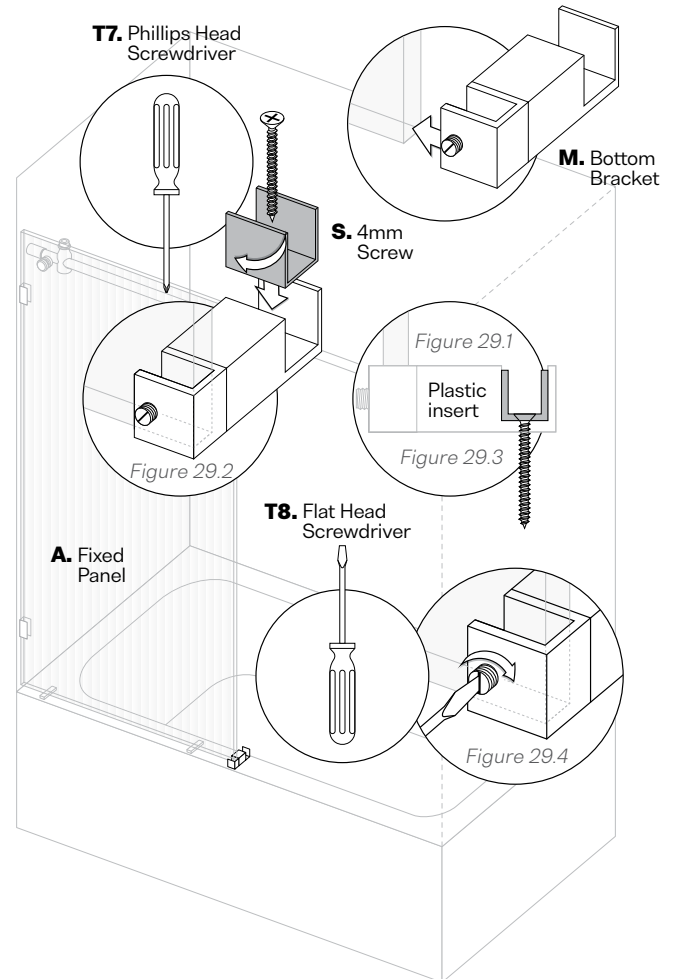
⚠ WARNING

Threshold / Floor Drilling: Incorrect drilling into the threshold may cause permanent surface damage or prevent proper installation of the Floor Bracket, resulting in instability or failure of the enclosure.



⚠ WARNING

Hardware Alignment & Fitment: Missing or misaligned hardware, gaskets, brackets, or overtightened fittings may result in glass breakage or system failure.



28

Drill hole for Floor Bracket installation

- Remove the Floor Bracket (M.) before drilling the marked hole (Fig. 28.1).
- For Fiberglass Bases:** Use a 1/8" Drill Bit (T10.) to drill hole. **DO NOT** use a Wall Anchor, secure the Floor Bracket (M.) directly into the fiberglass (Fig 28.2).
- For Tiled Thresholds:** Use a 1/4" Drill Bit (T11.) to drill hole. Insert Wall Anchor (Fig 28.3) and trim any excess flush with Utility Knife (T6.) (Fig 28.4).
- Apply a dab of Silicone (T16.) into drilled hole before setting the Floor Bracket (M.) to prevent moisture intrusion and corrosion (Fig. 28.5).

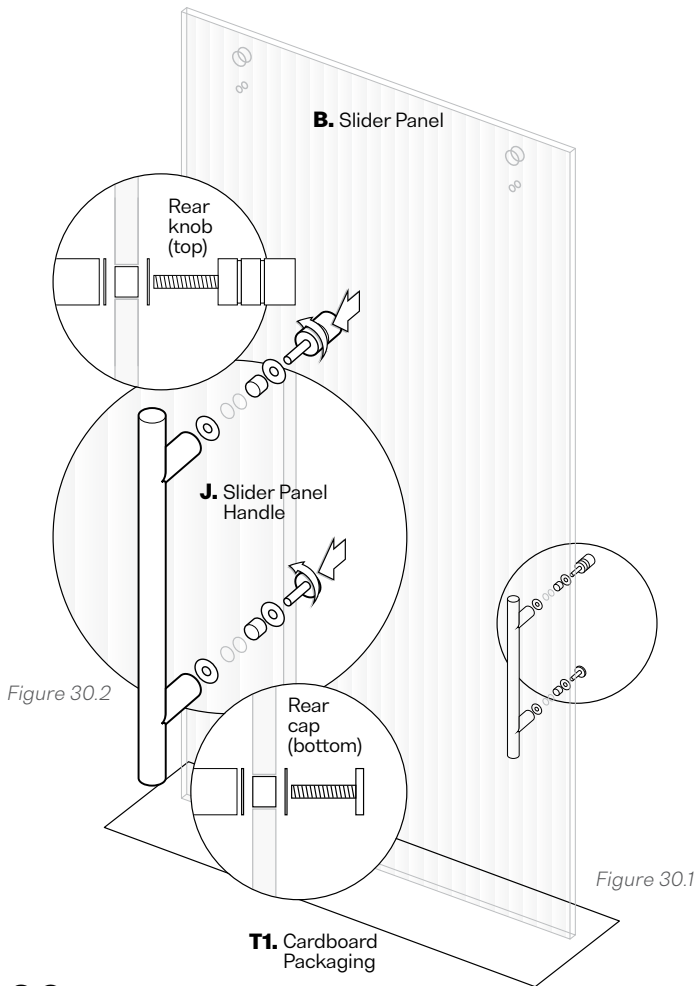
29

Install Floor Bracket into floor and on to Fixed Panel

- Position the Floor Bracket (M.) over the drilled hole, ensuring the plastic insert is properly positioned inside the bracket (Fig. 29.1).
- Be sure the Fixed Panel (A.) bracket end of the Floor Bracket (M.) is securely in place on the Fixed Panel (A.) (Fig. 29.2).
- Firmly screw down the 4mm screw (S.) through the plastic insert (Fig. 29.2) ensuring that the screw is completely inserted and seated (Fig. 29.3) in the interior of the slider channel.
- Secure the Fixed Panel (A.) to the bracket by tightening the grub screw firmly (Fig. 29.4).

WARNING

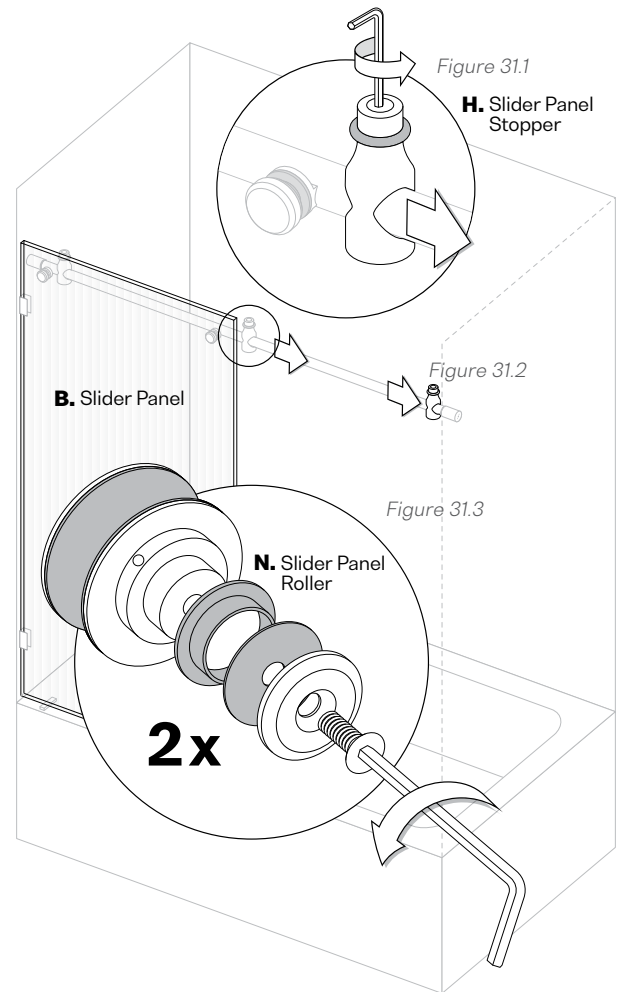
Rubber Inserts at Handle: Ensure all rubber gaskets and plastic inserts are properly installed when attaching the Slider Panel Handle. These components prevent metal from contacting the glass. Missing or improperly installed inserts may cause the glass to crack or shatter.



30

Install Slider Panel handle

- a.** Ensure the Slider Panel (**B.**) is resting on Cardboard Packaging (**T1.**) or another protective surface to prevent cracking or chipping (Fig. 30.1).
- b.** Disassemble Slider Panel Handle (**J.**). Remove rear knob and bottom cap from Slider Panel Handle (**J.**). Be sure to save all vinyl gaskets and plastic inserts.
- c.** Carefully install the Slider Panel Handle (**J.**) on to Slider Panel (**B.**) (Fig. 30.2). Be sure to use all rubber gaskets and plastic inserts as they protect from glass to metal contact. The rear knob should be installed on top.



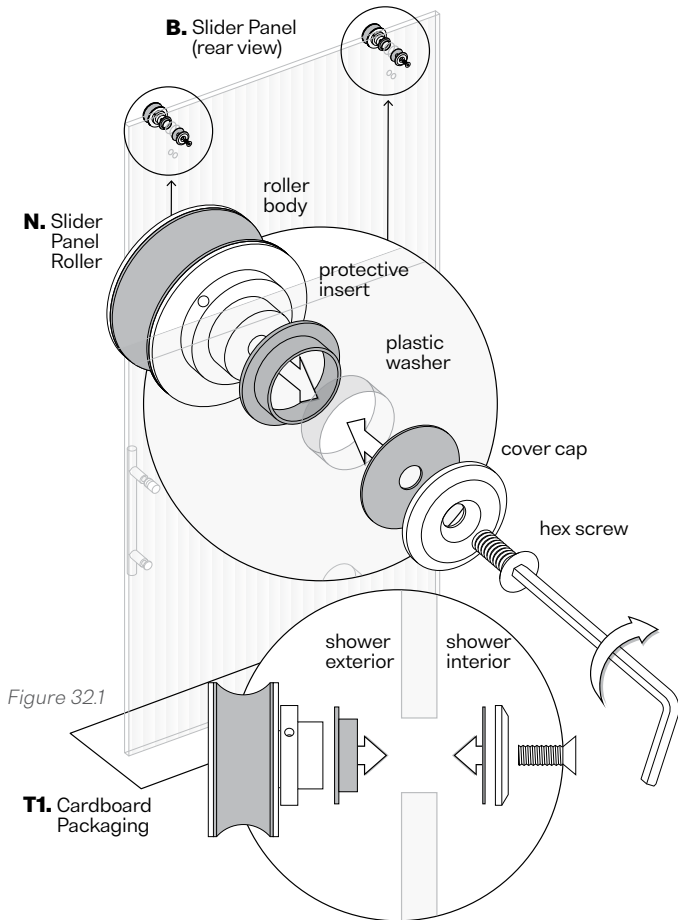
31

Prepare for Slider Door installation

- a.** Use the hex key to loosen the top of the Slider Panel (**B.**) side Slider Stopper (**H.**) (Fig. 31.1).
- b.** Slide the Door Panel side Slider Stopper (**H.**) all the way over to the opposite side so that it is out of the way. Do not tighten hex bolt all the way as it will need to be adjusted and tightened later in the installation process (Fig. 31.2).
- c.** Loosen both Slider Rollers (**N.**) bolts with hex key. Remove caps and interior washers from Slider Rollers (**N.**) (Fig. 31.3).

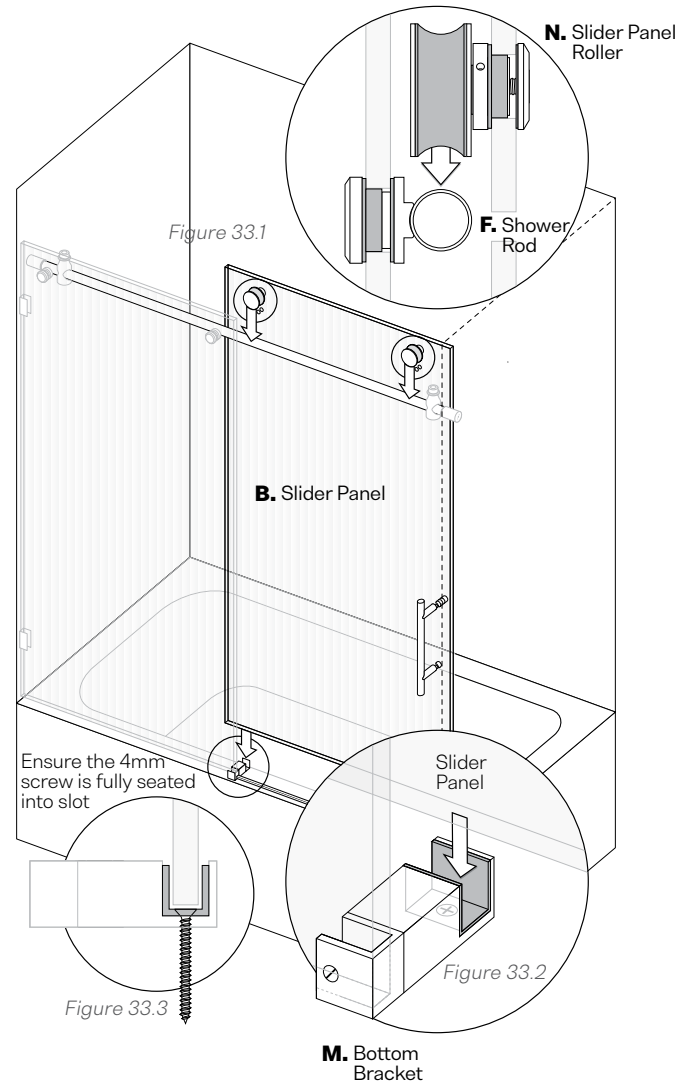
WARNING

Roller Inserts and Washers: Ensure all inserts, plastic washers, and gaskets are installed when assembling the Slider Panel Rollers. Missing components may allow metal-to-glass contact and cause cracking or shattering.



WARNING

Use Two People: Always use two people and handle tempered glass panels carefully. Improper lifting or installation can cause shattering, serious injury, or death.



32

Install Slider Panel Rollers

- a.** Ensure the Slider Panel (**B.**) is resting on Cardboard Packaging (**T1.**) or another protective surface to prevent cracking or chipping. (Fig. 32.1)
- b.** Carefully install the Slider Panel Rollers (**N.**). The hex bolt, cover cap, and plastic washer should be facing the shower interior. The plastic washer should be between the Slider Panel (**N.**) and the cover cap. The Slider Panel Roller (**N.**) body should be facing the shower exterior. The protective insert should be between the Slider Panel (**N.**) and the roller body.
- c.** Confirm that both Slider Panel Rollers (**N.**) are securely fastened and aligned properly for smooth sliding operation.

33

Install Slider Panel onto Shower Rod

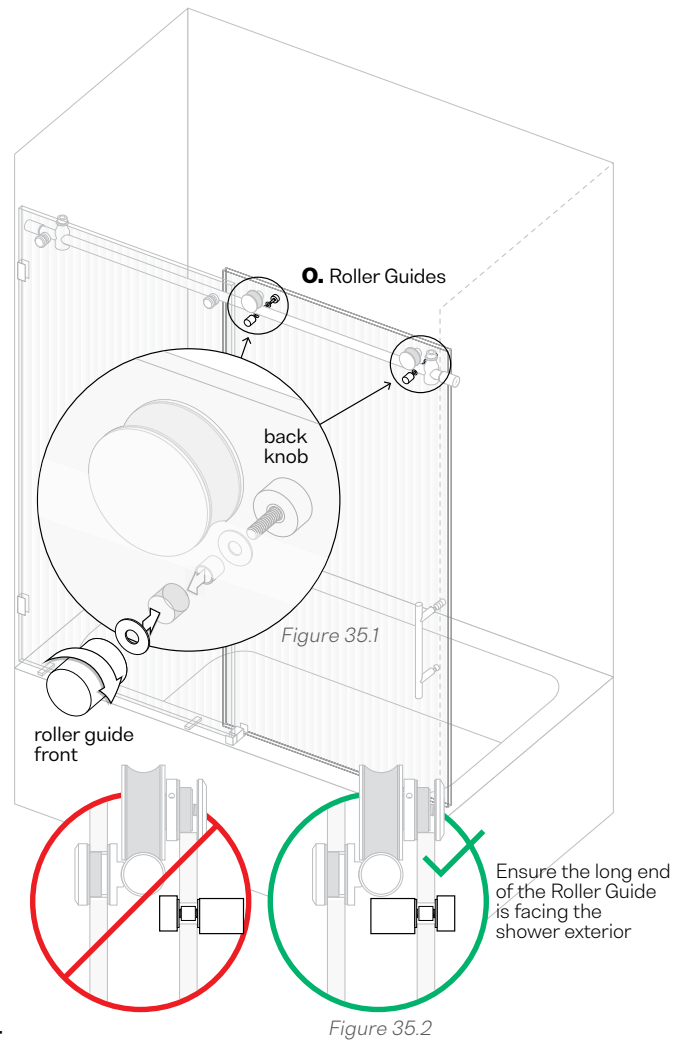
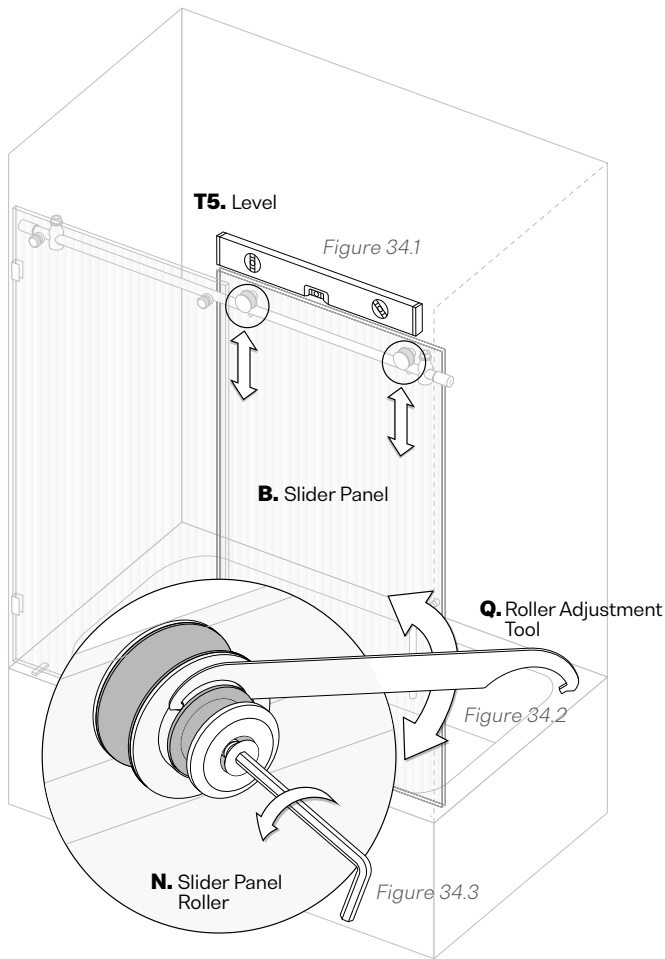
- a.** Using two people, carefully lift the Slider Panel (**B.**) and slowly lower the Slider Panel Rollers (**N.**) onto Shower Rod (**F.**) (Fig. 33.1).
- b.** Ensure the bottom of the Slider Panel (**B.**) slides properly into the Floor Bracket (**M.**) slot (Fig. 33.2). Be sure the screw is completely seated into the bottom of the black plastic piece (Fig. 33.3).
- c.** Gently slide the door side to side, verifying it does not bind anywhere along the bottom. If door binds, **see Step 34 for Slider Panel level adjustment.**

⚠ WARNING

Roller & Hardware Stability: Loose rollers or moving parts, misaligned brackets, or hardware may result in door instability and glass breakage.

⚠ WARNING

Roller Guide Installation: Ensure Roller Guides are properly assembled and oriented before tightening. Incorrect installation or missing inserts may allow metal-to-glass contact, resulting in glass damage, instability, or failure.



34

Adjust Slider Panel level

- Verify that the Slider Panel (**B.**) is level while hanging from the Slider Panel Rollers (**N.**) (Fig. 34.1).
- If adjustment is required, slightly loosen the hex bolt on the back of each Slider Panel Roller (**N.**).
- Insert the Roller Adjustment Tool (**Q.**) into the hole on the edge of the roller backing plate. Turn the tool to raise or lower the Slider Panel (**B.**) until it is perfectly level. Repeat this process on the other Roller if necessary (Fig. 34.2).
- Once the panel is level, tighten the hex bolt on the back of each Slider Panel Roller (**N.**) to lock the adjustment in place (Fig. 34.3).

35

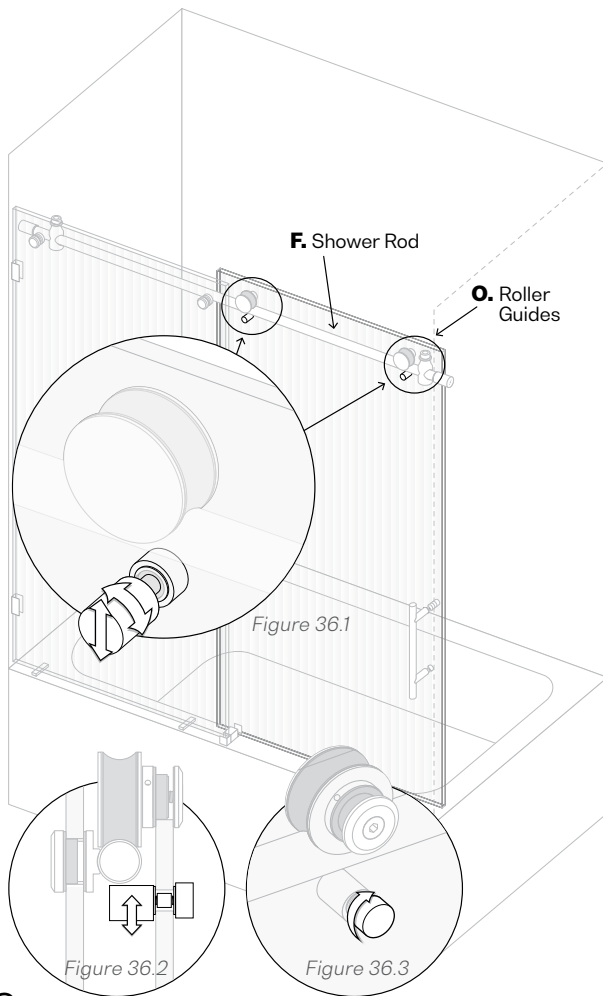
Install Slider Panel Roller Guides

- Disassemble both Roller Guides (**O.**) by unscrewing the back knob. Save both clear vinyl gaskets and round insert.
- Reassemble both Roller Guides (**O.**) into the holes below the Shower Rod (**F.**) and Slider Panel Rollers (**N.**). Ensure both clear gaskets and the plastic insert are installed to prevent any metal from contacting the surface of the Slider Panel (**B.**) (Fig. 35.1).
- Be sure the longer end of both Roller Guides (**O.**) are facing towards the exterior of the shower and installed onto the front of the Slider Panel (**B.**) (Fig. 35.2).

⚠ WARNING

Roller & Hardware Stability: Loose rollers or moving parts, misaligned brackets, or hardware may result in door instability and glass breakage.

Roller Guide Adjustment: Improperly adjusted roller guides may result in door instability or improper operation. Ensure guides are positioned correctly and secured after adjustment. Failure to do so may result in glass damage or breakage.



36

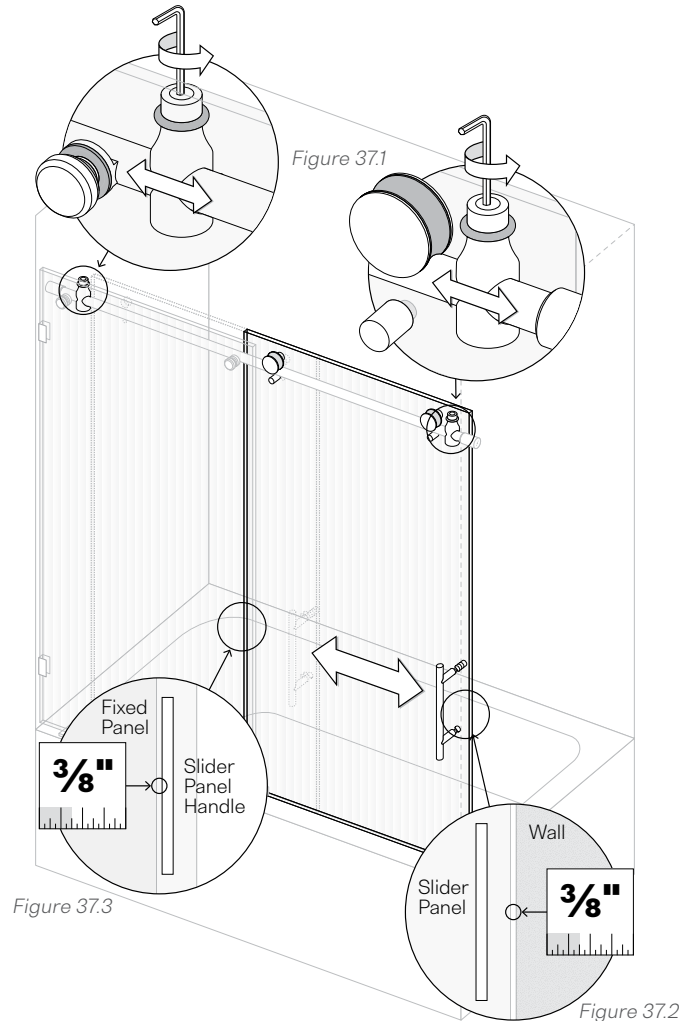
Adjust Roller Guides and test Slider Door Panel

- The Roller Guides (O.) are offset, allowing for adjustment. While the back knob is loose, turn the front end of Roller Guides (O.) so that the long end is almost touching the Shower Rod (F.) (Fig. 36.1).
- Ensure the gap between the roller guides (O.) and the Shower Rod (F.) is no more than $\frac{1}{16}$ " (Fig. 36.2). The guides should be almost touching the Shower Rod (F.) to fully secure the sliding door. When adjustment is complete, tighten back knob (Fig. 36.3).
- Test the Slider Panel (B.). Gently slide the Slider Panel back and forth making sure it moves smoothly.

⚠ WARNING

Hardware Alignment & Fit: Missing or misaligned hardware, gaskets, brackets, or overtightened fittings may result in glass breakage or system failure.

Door Stop Adjustment: Improperly adjusted slider stoppers may allow the glass panel to contact the wall or adjacent panel. Ensure stoppers are positioned so the door stops with adequate clearance. Failure to do so may result in glass damage or breakage.



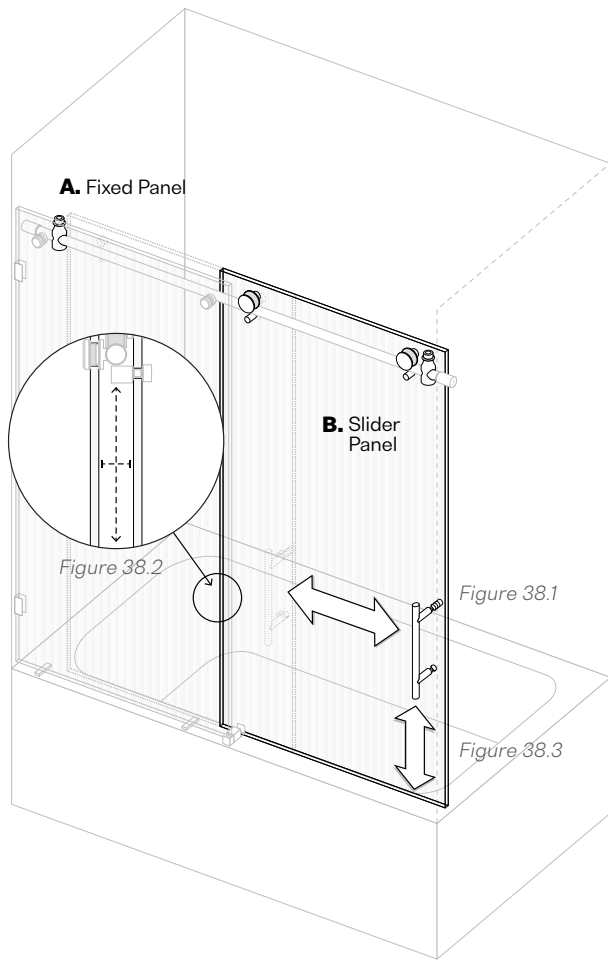
37

Adjust Slider Stoppers

- Loosen and adjust the Slider Panel Stoppers (H.) on the Shower Rod (F.) (Fig. 37.1).
- Position the Slider Panel Stoppers (H.) so the Slider Panel (B.) does not contact the wall when fully opened or closed. The Slider Panel (B.) should stop at least $\frac{3}{8}$ " from the wall (Fig. 37.2).
- Ensure the Slider Panel Handle (J.) does not touch the Fixed Panel (A.) when the door is closed. The Slider Panel Handle (J.) should stop at least $\frac{3}{8}$ " from the edge of the Fixed Panel (A.) (Fig. 37.3).
- Once properly positioned, tighten the stopper screws to lock in place. This will leave a safe gap that is suitable to add safety stripping to both sides of the Slider Panel.

WARNING

Door Operation & Alignment: If the door does not operate smoothly or is misaligned, do not use until adjustments are made. Improper operation can lead to glass damage or failure.



38

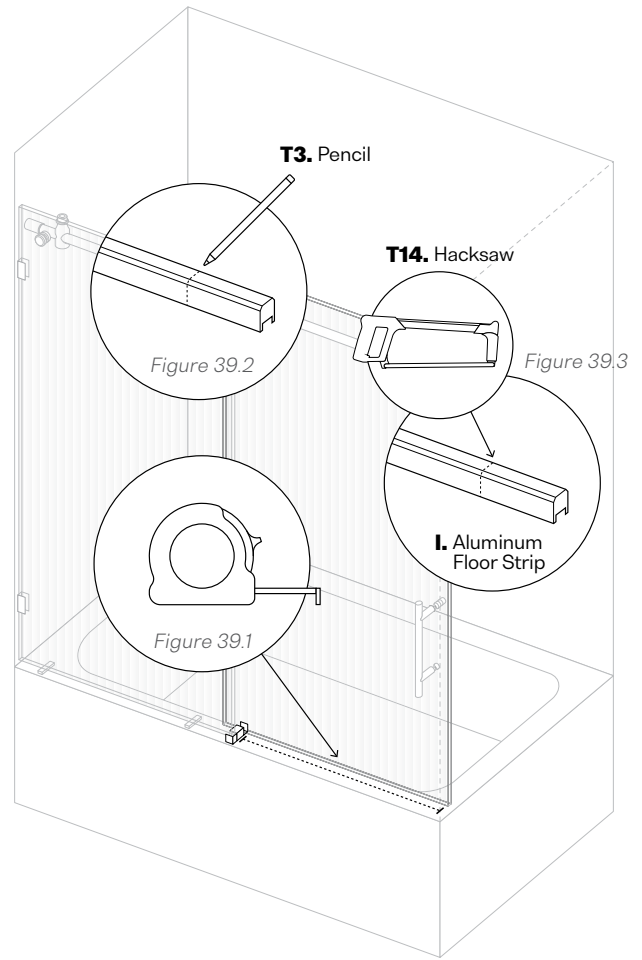
Perform functional test

- Slide the Slider Panel (B.) from fully open to fully closed several times. Ensure the motion is smooth, quiet, and consistent. If the door does not slide smoothly, recheck the Shower Rod (F.) level and adjust Slider Rollers (N.) (Fig. 38.1).
- Verify that the gap between the Fixed Panel (A.) and the Slider Panel (B.) remains even and parallel along the full height of the enclosure (Fig. 38.2). If gaps are uneven, confirm Fixed Panel (A.) and Floor Bracket (M.) alignment.
- Lightly lift upward on the bottom of the Slider Panel (B.). There should be minimal movement, and the panel should remain securely seated on the Slider Rollers (N.). If the panel lifts excessively, ensure the Roller Guides (O.) are installed correctly and fully tightened (Fig. 38.3).

WARNING

Cutting Accuracy: Measure carefully before cutting the Aluminum Floor Strip. Once cut, the part cannot be adjusted. Incorrect cuts may result in improper fit, gaps, or require replacement.

Cutting Metal Components: Use caution when cutting the Aluminum Floor Strip. Improper use of cutting tools may cause injury or damage to the part.



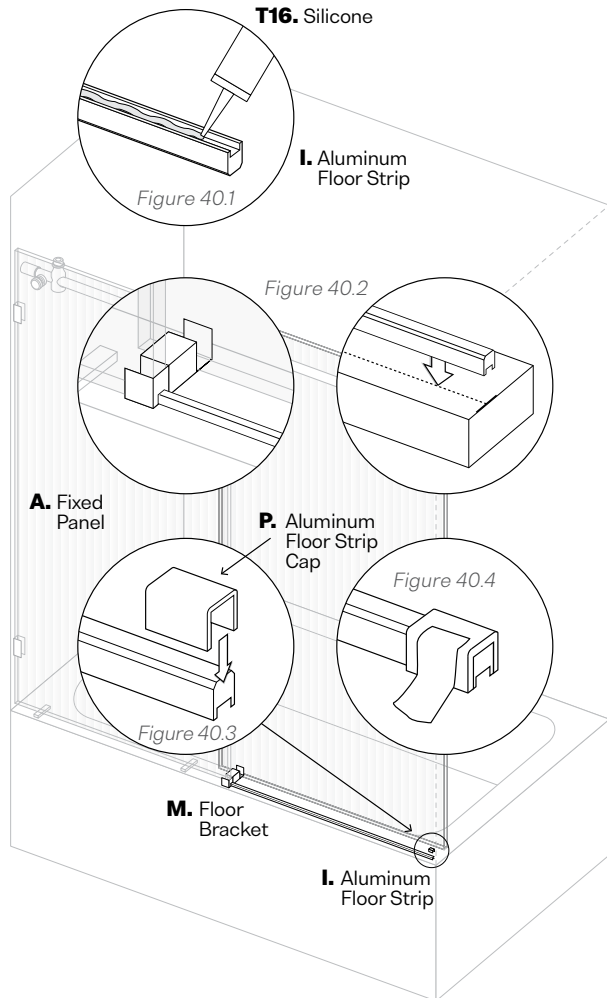
39

Cut Aluminum Floor Strip for installation

- Measure the distance from the edge of the Floor Bracket (M.) to the opposite wall along the threshold (Fig. 39.1).
- Mark that length on the Aluminum Floor Strip (I.) (Fig. 39.2).
- Using a Hacksaw (T14.), cut the Aluminum Floor Strip (I.) to the measured length (Fig. 39.3).

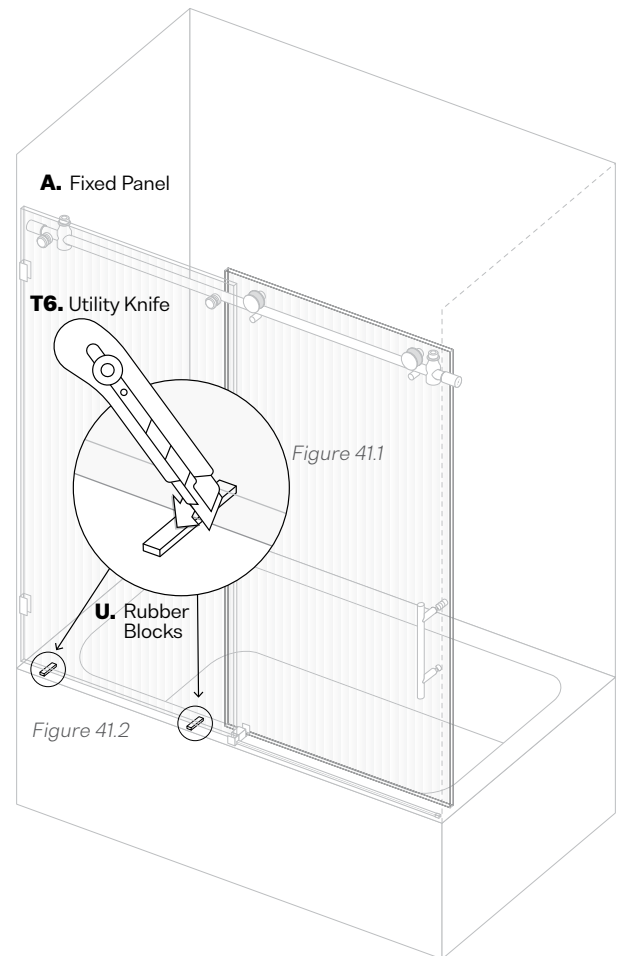
NOTICE

Sealant Coverage & Cure Time: Ensure full silicone coverage beneath the strip to prevent leaks. Allow a minimum of **36 hours** for silicone to cure before use.



WARNING

Trim Rubber Blocks: Use caution when cutting. Improper handling of cutting tools may result in injury or damage to glass or surrounding surfaces.



40

Install Aluminum Floor Strip & Cap

- Apply a small bead of Silicone (**T16.**) under the Aluminum Floor Strip (**I.**) for waterproofing (Fig. 40.1), then set it in place along the threshold, aligned with the Fixed Panel (**A.**) already secured in the Floor Bracket (**M.**) (Fig. 40.2).
- If the Aluminum Floor Strip (**I.**) is slightly short, apply a small bead of Silicone (**T16.**) under the Aluminum Floor Strip Cap (**P.**), and position it over the cut end as close to the wall as possible (Fig. 40.3).
- Use masking tape to hold the Aluminum Floor Strip (**I.**) in place while the Silicone (**T16.**) cures (Fig. 40.4). Allow a minimum of **36 hours** drying time before using the shower.

41

Trim Rubber Blocks

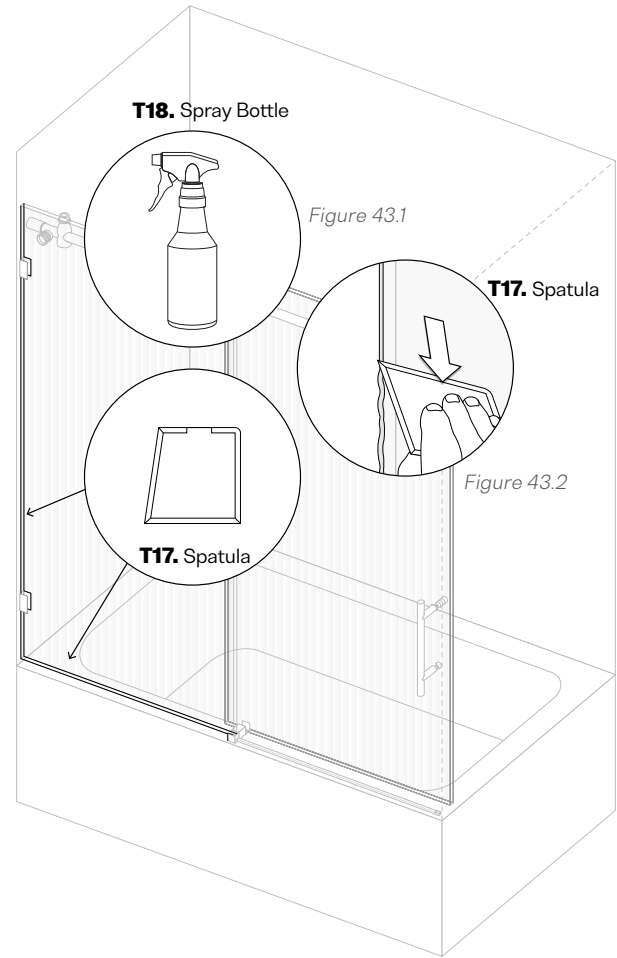
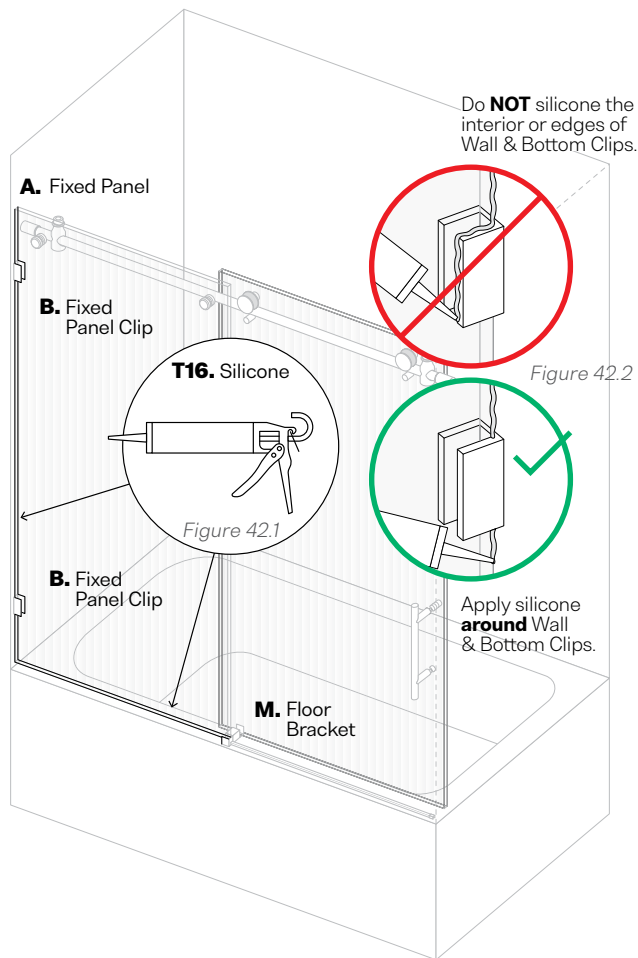
- Use a Utility Knife (**T6.**) to carefully trim each Rubber Block (**U.**) so that it is flush with the bottom edge of the Fixed Panel (**A.**) (Fig. 41.1).
- The Rubber Blocks (**U.**) must remain under the Fixed Panel (**A.**) at all times. Do not remove them after trimming (Fig. 41.2).

NOTICE

Do Not Silicone Clips: Do not apply Silicone to the Clips interiors or surface. In the event the glass panel needs to be removed, it can be easily reinstalled.

WARNING

Let Silicone Cure: Do not use the shower before the silicone has set and cured (**36 hours** minimum). Premature exposure to water may compromise the seal and cause leaks.



42

Apply Silicone to seal Fixed Panel

- Apply Silicone (**T16.**) along the wall and floor surfaces adjacent to the Fixed Panel (**A.**). Be sure to seal both the inside and outside edges, ensuring the gap between the glass and tile is completely filled (Fig. 42.1).
- Do **NOT** apply Silicone (**T16.**) to the interior edges of the Fixed Panel Clips (**K.**) or the Floor Bracket (**M.**). Apply Silicone (**T16.**) around these components only (Fig. 42.2).

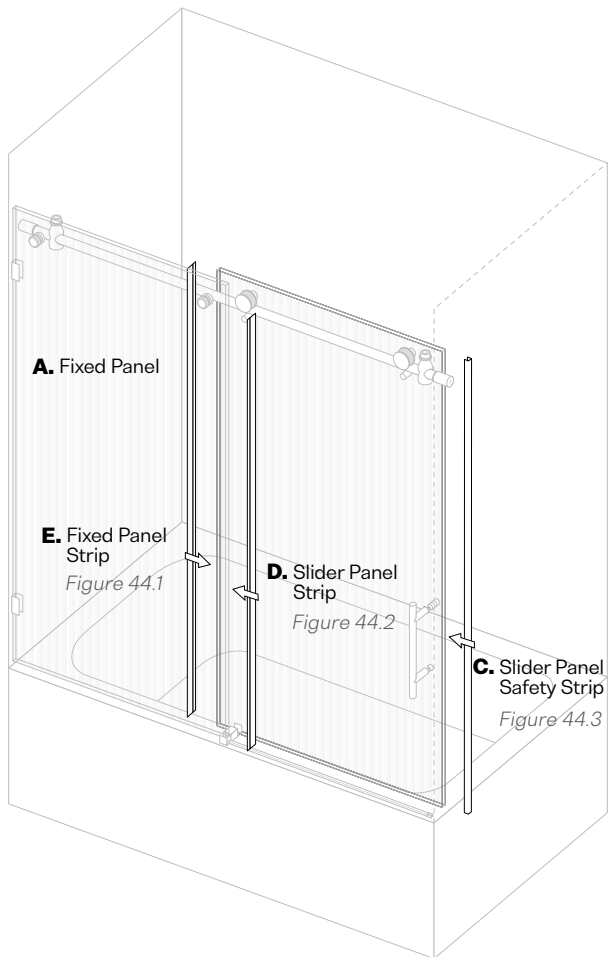
43

Smooth Silicone and remove residue

- Lightly spray the applied Silicone (**T16.**) with water (Fig. 43.1) and use a Spatula (**T17.**) to smooth the surface and remove any excess residue for a clean finish (Fig. 43.2).
- Allow the Silicone (**T16.**) to set and cure for a minimum of **36 hours** before using the shower.

NOTICE

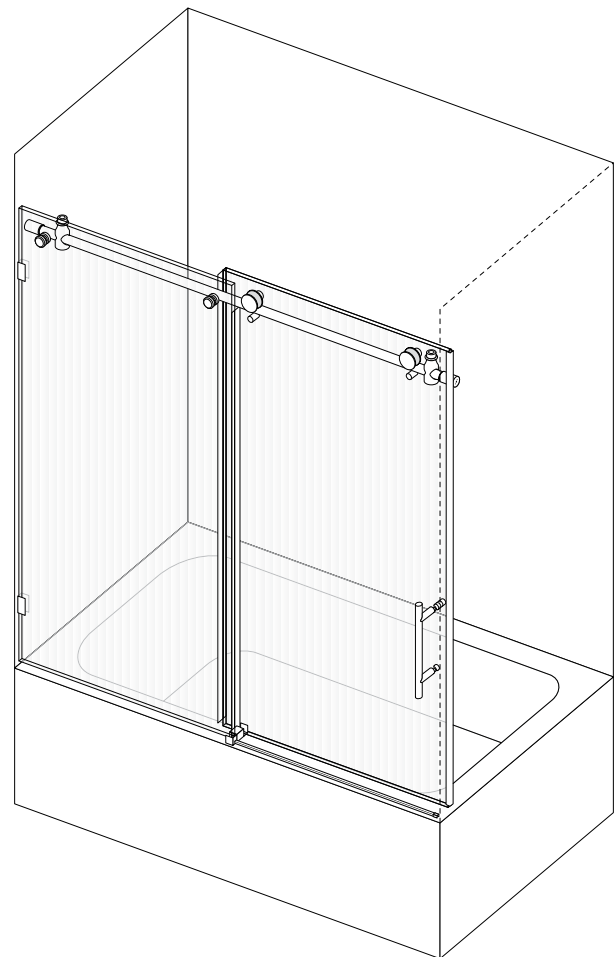
Seal Integrity Maintenance: Ensure all seals are properly installed and undamaged to maintain proper enclosure performance and prevent leaks. If any seals are missing or damaged, do not proceed with installation. Contact Glass Warehouse at inquiries@glasswarehouse.us for replacement parts.



44

Install Plastic Safety Strips

- Attach the Fixed Panel Strip (E.) to the outer edge of the Fixed Panel (A.) (Fig. 44.1).
- Attach the Slider Panel Strip (D.) to the inner edge of the Slider Panel (B.) (the side that overlaps the Fixed Panel (A.) when closed) (Fig. 44.2)
- Attach the Slider Panel Safety Strip (C.) to the outer edge of the Slider Panel (B.), near the handle (Fig. 44.3).
- Press each strip firmly into place along the full height of the glass to ensure a tight seal.



45

Once silicone has cured, you're done!

- Please register your warranty using the instructions on the back cover of this document.

Thank You for Your Purchase.

If, for any reason, you are having trouble with installation, or if the size of the product does not fit your designated space, please contact Glass Warehouse directly before returning it to the place of purchase, as we may be able to replace a panel or parts to better suit your space.

Glass Warehouse takes pride in providing quality products and customer service. We want to ensure your satisfaction with your purchase for years to come. With our extensive range of sizes, no matter what your measurements are, Glass Warehouse should be able to assist you!

If you have any questions, please do not hesitate to reach out to us. Thank you again for choosing Glass Warehouse!

Best Regards,

The Team at Glass Warehouse
Glass Warehouse, LLC
(760) 536 3640
inquiries@glasswarehouse.us

Hardware Care & Maintenance

Care & Maintenance

Your Glass Warehouse shower enclosure is designed for long-lasting performance and beauty. Regular cleaning and maintenance will help prevent buildup, protect finishes, and maintain smooth operation.

Metal Hardware

To maintain the luster and function of your hardware:

- Wipe all metal components dry after each use with a soft, non-abrasive cloth.
- Do not use cleaners containing ammonia, bleach, or acid. If accidentally used, rinse immediately and dry thoroughly to prevent peeling or corrosion.
- Clean stainless steel hardware weekly. When polishing, always wipe in the direction of the grain.
- Never use steel wool, wire brushes, or abrasive pads, as these can scratch or permanently damage the surface.
- If you notice noise, stiffness, or uneven movement, stop using the door immediately and check for debris, misalignment, or damage.
- Replace any worn or damaged hardware before resuming use.

Roller Assemblies (if applicable)

The roller system supports and guides your sliding door panel and must remain in good condition for safe operation.

- Inspect rollers monthly to confirm smooth, quiet movement and ensure all bolts and set screws are tight.
- Verify that the rollers remain properly aligned and seated on the guide rail.
- If you notice noise, stiffness, or uneven movement, stop using the door immediately and check for debris, misalignment, or damage.
- Replace any worn or damaged rollers before resuming use.
- Failure to maintain or replace damaged rollers can lead to glass instability and result in death or serious injury.
- Inspect roller guides regularly to confirm they are securely fastened and free of damage. If guide becomes loose, misaligned, or damaged, discontinue use of the door until the issue is corrected.
- Verify that the guides maintain the correct clearance between the door panel and the shower rod, as specified during installation.
- Ensure the door panel remains centered within the guides and does not contact surrounding hardware during operation.
- Failure to properly maintain roller guides can result in door instability and may lead to serious injury or death.



Have Questions? Need Some Help?

Contact Us!

Email: inquiries@GlassWarehouse.us

Phone: [760] 536-3640

Glass Care & Maintenance



EnduroShield makes cleaning easier and less frequent; however it is recommended that you continue to clean the surfaces regularly.

Maintaining the Treated Surface

For best results simply drying the glass with a squeegee or towel after each use will help keep the glass clean and reduce mineral spots forming. The glass needs to be cleaned every few weeks using a damp microfiber cloth and a mild detergent to break down soaps, oils, and conditioners on the glass. General glass cleaners are also suitable, however most of these are finishing agents rather than cleaners, and are an added expense that is not required.

Hard Water Maintenance

In hard water areas, or areas where water drops dry and leave a noticeable dust mark, a build of minerals may occur on the protective treatment. While these may not be removed as easily with the mild detergent, mild acids will often remove the marks quickly. As needed white vinegar should be used to wipe down the glass. Keep in mind the vinegar may be diluted with water, however dilution reduces the effectiveness.

Spray vinegar onto the glass and allow to soak for several minutes. This should dissolve any mineral deposits that have built up on the glass surface. A damp microfiber cloth should then be used to wipe over the surface. For extreme hard water areas we recommended using undiluted vinegar every week or so as a cleaning option to reduce this build up on the surface, rather than allowing the build up to continue over a long period of time.

Caution: Prohibited Products *Note these may damage the treatment and void any warranty

- Avoid the use of any abrasives or polishes including water spot removers, toothpaste, polishes, rough, or gritty substances
- Avoid the use of acids or alkalis that you would not want in contact with your skin for an extended period of time
- Avoid products such as Comet, Ajax, Jiff or Cerium Oxide which polish back the actual substrate
- Avoid the use of any harsh or chemical cleaners, with correct maintenance these are never required

Approved Cleaning Products

The below products have been tested for compatibility with EnduroShield, however there are no specific products that must be used. We feel you should not be required to purchase extra products in order to keep your glass clean. With correct maintenance, all you need for clean glass beyond 10 years is a squeegee, a mild liquid dish soap, and white vinegar.

Any product that does not fall into the prohibited categories listed above will be fine, and below is a short list of acceptable products:

- Windex
- SprayWay (or other alcohol based foaming cleaners)
- Scrubbing Bubbles (or other automatic leave-to-dry daily shower cleaners)
- 7th Generation, Dawn (or other mild eco friendly cleaners)
- CLR (Calcium Lime Rust)
- Mr. Clean Magic Eraser (when damp)

It should be noted that with any cleaner used on the EnduroShield surface a thorough rinse with clean water should follow immediately. Although these cleaners can be used, EnduroShield is designed to be an 'easy clean coating' that does not require harsh or toxic cleaning chemicals to maintain the surface effectively.

If for any reason the recommended maintenance has not been followed for some time, just as it took time for the build up to occur, it will take time to remove the debris from the protected glass surface. This can most commonly be achieved using undiluted white vinegar dampened on a Magic Eraser, or CLR on a Magic Eraser. Depending on the severity of the build up this may take multiple attempts, but once the glass is clean again it will perform like new. Should you have any queries regarding the cleaning of your treated surfaces please contact EnduroShield.

tel: 805 617 4609
email: salesusa@enduroshield.com
www.enduroshield.com



More Than Just a Warehouse

GLASSWAREHOUSE
GLASSWAREHOUSE.US

First, We Brought the World
High-Quality Affordable Glass
Shower Doors & Enclosures.

Now, Our Expanding Line of
Products Includes Glass Railing
Solutions, Mirrors, Medicine
Cabinets and More.

© 2026 Glass Warehouse, All Rights Reserved

Exclusive Limited Warranty Terms & Conditions.

This Limited Lifetime Warranty ("Warranty") is effective as of APRIL 6, 2026

PLEASE READ THE WARRANTY TERMS AND CONDITIONS BEFORE PURCHASING AND BEFORE INSTALLING OR RESELLING YOUR GLASS WAREHOUSE PRODUCT. BY PURCHASE, INSTALLING, AND OR RESELLING THE GLASS WAREHOUSE PRODUCT, YOU ARE CONSENTING TO BE BOUND BY THE FOLLOWING TERMS AND CONDITIONS.

Glass Warehouse, LLC ("Seller") provides this Warranty to the business or individual ("Buyer") who purchases a Glass Warehouse product ("Product") directly from Seller or from an authorized reseller, including without limitation, shower kits, railing hardware, medicine cabinets, and mirrors. If Buyer is a licensed and fully insured professional and Buyer installs the Product in the residence of one of Buyer's customers ("Customer"), Buyer may pass this Warranty through to such Customer. In each case, this Warranty shall extend only to the original Buyer or Customer at the time of installation and shall expire if the original Buyer or Customer no longer owns or occupies the residence at which the Product is first installed. This Warranty will not apply to any subsequent owners or occupants of the residence. "Products" do not include, and this Warranty specifically excludes: (i) any products sold by Glass Warehouse under brand names other than Glass Warehouse; (ii) any third-party products distributed or sold by Glass Warehouse that are not incorporated into a Glass Warehouse Product.

Limited Lifetime Warranty for Glass

With respect to any glass components of the Product, Seller warrants to Buyer that for the lifetime of the Product ("Glass Warranty Period"), that such components (excluding seals) will materially conform to Seller's published specifications and will be free from material defects in material and workmanship. With respect to any Product used in commercial, industrial, or non-residential uses, including without limitation hotels, casinos, and apartments, the Glass Warranty Period is one (1) year. For mirrors, including medicine cabinets with mirrors, the Glass Warranty Period is one (1) year. For glass railings, the Glass Warranty Period is three (3) years. The Glass Warranty Period with respect to the outer coating of any glass component, such as an Enduroshield coating, is five (5) years.

Limited 5-Year Warranty for Hardware

With respect to any hardware components of the Product, Seller warrants to Buyer that for a period of five (5) years from the date of Buyer's purchase of the Product ("Hardware Warranty Period"), that such components (excluding seals) will materially conform to Seller's published specifications and will be free from material defects in material and workmanship. Warranty for any part in

oil rubbed bronze or matte black finish shall be limited to one (1) year. With respect to any Product used in commercial, industrial, or non-residential uses, including without limitation hotels, casinos, and apartments, the Hardware Warranty Period is one (1) year. For mirrors, including medicine cabinets with mirrors, the Hardware Warranty Period is one (1) year. For railings, the Hardware Warranty Period is one (1) year. The Glass Warranty Period and Hardware Warranty Period are referred to together as the "Warranty Period."

While stainless steel is resistant to corrosion, it is not corrosion or rust-proof. Environmental conditions including, but not limited to, exposure to chemicals, salt air, pollution, and high humidity may cause surface discoloration or rust. Regular cleaning and maintenance is required to maintain the appearance and integrity of stainless steel products. Seller makes no warranty against and shall not be liable for any claims related to surface rust, discoloration, or corrosion of stainless steel components.

Warranty Terms and Conditions

This Warranty shall be voided if the Product (i) has been subjected to abuse, misuse, neglect, negligence, accident, improper testing, improper installation, improper cleaning (such as use of abrasive cleaners), improper storage, improper handling, abnormal physical stress, abnormal environmental conditions, or use or installation contrary to any instructions or guidelines issued by Seller; (ii) has been altered, repaired, or reconstructed by anyone other than Seller; (iii) was installed by anyone other than a fully insured and licensed professional; (iv) was not installed according to Glass Warehouse's published installation instructions or guidelines; (v) is installed or used outside of the US or Canada; or (vi) has been used with any third-party hardware or product that has not been previously approved in writing by Seller. This Warranty shall not apply to normal wear and tear. With respect to Products advertised by Glass Warehouse for outdoor use, this Warranty specifically excludes damage caused by extreme weather events.

WARNING: INSTALLATION OF GLASS PRODUCTS (I.E., SHOWER AND TUB DOORS) BY AN UNLICENSED OR INEXPERIENCED INSTALLER MAY RESULT IN GLASS BREAKAGE, DAMAGE TO PROPERTY, SERIOUS INJURY OR DEATH.

Neither Buyer, nor any other person is permitted to make any affirmation, representation, or warranty other than those contained in this Warranty. Any affirmation, representation, or warranty other than those contained in this Warranty shall not be enforceable against Seller or any other person. Seller reserves the right to modify this Warranty at any time, it being understood that such modifications will not alter the terms and conditions applicable at the time of sale of the products in question.

Please register your information to activate your warranty, <https://qr.glasswarehouse.us/GW-warranty>

Claims Process and Remedies:

All Warranty claims are subject to review and confirmation by Seller, and Seller reserves the right to inspect the installation to confirm the validity of the Warranty claim. To submit a Warranty claim, Buyer must:

1. Contact Seller’s customer service department within 30 days of discovering the defect. Contact information:
 Phone: **+1(760) 536-3640**
 Email: **inquiries@glasswarehouse.us**
<https://qr.glasswarehouse.us/GW-warranty>
2. Provide the following required documentation: (a) proof of purchase; (b) detailed description of the defect, including photographs; (c) item part number.
3. A customer service representative will review the claim and may request additional information or schedule an inspection of the Product and/or installation. Buyer must cooperate fully with any requests for information or inspection.

Seller shall have no obligation to honor any Warranty claim that does not comply with the above claims process. If a Warranty claim is approved, Seller shall, in its sole discretion, either: (i) repair or replace such Product (or the defective part), in which case Seller shall cover shipping of the repair parts or replacement product; or (ii) refund the price paid by Buyer to Seller for such Product. Replacement parts and products will be covered by this Warranty for the remainder of the Warranty Period of the original Product. Seller may require that the Product be returned to Seller, at Seller’s expense. Except for any repairs made by Seller or its representatives as set forth above, Seller shall not pay for labor related to the Warranty claim, such as removal of the defective Product or installation of a replacement product. Seller’s warranty obligation shall be discharged upon tender of parts, replacement or repair of the Product. Buyer’s refusal to accept the tender terminates all warranty obligations and **VOIDS THIS WARRANTY.**

THE REMEDIES SET FORTH ABOVE SHALL BE BUYER’S SOLE AND EXCLUSIVE REMEDY AND SELLER’S ENTIRE LIABILITY FOR ANY BREACH OF THIS WARRANTY.

Disclaimer and Limitation of Liability:

EXCEPT FOR THE PRECEDING WARRANTY, SELLER MAKES NO WARRANTY TO BUYER WHATSOEVER WITH RESPECT TO THE PRODUCTS AND HEREBY DISCLAIMS ALL OTHER WARRANTIES, INCLUDING ANY (I) WARRANTY

OF MERCHANTABILITY; (II) WARRANTY OF FITNESS FOR A PARTICULAR PURPOSE; OR (III) WARRANTY AGAINST INFRINGEMENT OF INTELLECTUAL PROPERTY RIGHTS OF A THIRD PARTY; WHETHER EXPRESS OR IMPLIED BY LAW, COURSE OF DEALING, COURSE OF PERFORMANCE, USAGE OF TRADE OR OTHERWISE.

SELLER DISCLAIMS AND SHALL NOT BE LIABLE FOR ANY PERSONAL INJURIES OR DEATH TO ANY PERSON, INCIDENTAL DAMAGES, CONSEQUENTIAL DAMAGES, LOSS OF PROFITS, LOSS OF USE, LABOR OR MATERIAL CHARGES, OR ANY OTHER COSTS RELATING TO THE USE OR INABILITY TO USE THE PRODUCT OR REPLACEMENT PRODUCT OR RELATING TO THE APPLICATION OF THIS WARRANTY. IN NO EVENT SHALL SELLER’S AGGREGATE LIABILITY EXCEED THE PURCHASE PRICE OF THE PRODUCT.

SOME STATES LIMIT A MANUFACTURER’S ABILITY TO DISCLAIM CERTAIN WARRANTIES OR LIABILITIES AND THEREFORE SOME OF THE ABOVE DISCLAIMERS OR LIMITATIONS OF LIABILITY MAY NOT APPLY TO YOU.

Warranty Service

To activate your limited lifetime warranty, please visit: **<https://qr.glasswarehouse.us/GW-warranty>**



Please register your information within 30 days of purchase to complete the activation of your warranty.

Contact Technical Support:

**Monday – Friday 8am – 5pm PST
Technical Support: **+1(760) 536-3640****