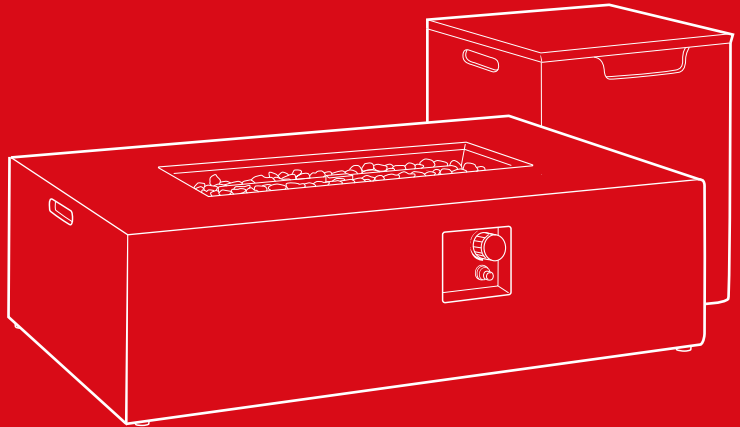




bestchoiceproducts



# INSTRUCTION MANUAL

---

48-Inch Propane Fire Pit Table



Parts are located underneath the fire pit. Make sure to remove all items before use.

A propane tank will not fit underneath the fire pit; it should be placed to the side in the tank table.


[bestchoiceproducts.com](http://bestchoiceproducts.com)

## NOTICE

Please retain these instructions for future reference.

- Children are not allowed to operate this fire pit.
- Fire pit must be attended by adults at all times. Do not leave children and pets around a fire pit when in use.
- For outdoor use only; do not use in a building, garage, or any other enclosed area.
- For use with propane gas tanks only (not included).
- Improper adjustment, installation, usage, and maintenance could result in an explosion and cause serious injury or property damage.
- Read and follow all warnings and instructions thoroughly before appliance assembly, service, and use.
- Failure to follow warnings and instructions may cause death, serious injury, or property damage.
- If any parts are missing, broken, damaged, or worn, stop using this product until repairs are made and/or factory replacement parts are installed.
- Do not use this item in a way inconsistent with the manufacturer's instructions as this could void the product warranty.

## CALIFORNIA PROPOSITION 65

 **WARNING:** This product can expose you to Carbon monoxide, which is known to the State of California to cause birth defects or other reproductive harm. For more information go to [www.P65Warnings.ca.gov](http://www.P65Warnings.ca.gov)

## WARNING

- This fire pit produces carbon monoxide which has no odor. Do not use in enclosed area.
- If you smell gas during operation, immediately shut off gas and extinguish flames.
- Do not use a flame to check for gas leaks.
- Only use this appliance on a hard and level surface such as concrete or rock.
- Do not use this fire pit under trees or near any other unprotected combustible area.
- Fire pit must have a minimum clearance of 72 inches above and 48 inches from the sides. Make sure area is clear and free from combustible objects/constructions.
- Do not connect to a remote gas supply.
- Do not use with natural gas.
- Do not use solid fuel or charcoal on this fire pit.
- Do not burn anything other than what is provided.
- Do not place clothing or flammable materials near the fire pit.
- Fire pit is not intended for cooking.
- Do not place food or eat on the surface of fire pit.
- Be careful when igniting fire pit as flame may flare and cause injury.
- Do not use if lava rocks are wet. Ensure that rocks are completely dry before use.
- Keep a safe distance from the fire pit when in use. Do not sit or rest hands/feet on fire pit or tank table.
- To avoid burns, do not touch or move any part of this fire pit when in use; wait until it has completely cooled.
- Do not breathe smoke from the fire pit and avoid getting smoke in your eyes.
- Do not alter this appliance. Any alteration can cause a safety hazard.
- Do not use any accessory or fitting other than original accessories and fittings.
- Keep all electrical cords and hoses away from heated surfaces.
- Routinely check hoses for wear or abrasions. Do not use if hoses are damaged.

## PROPANE TANK WARNINGS

- Keep propane tank at least 5 feet away from fire pit when in use.
- Make sure to organize fuel hose to prevent accidental tripping.
- Only use standard 20-pound propane tanks.
- Do not fill tank more than 80% of its capacity.
- Do not use tank if any part of it is damaged; rust and dents can be dangerous.
- Propane tank must have a collar to protect the gas valve.
- Using too much propane gas may result in gas pooling and will not burn.
- Check for leaks by brushing a mixture of soap and water on all connections. If large bubbles form when gas is turned on, there may be a leak.
- If propane tank is leaking gas, immediately do the following:
  - Turn off fire pit and disconnect tank
  - Move people away from the immediate area
- Do not try to repair leaking tank. Contact a professional to repair or replace tank.

## TOOLS REQUIRED



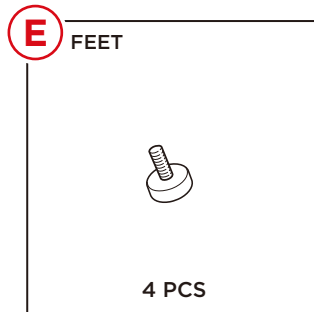
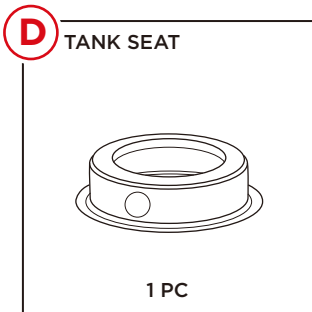
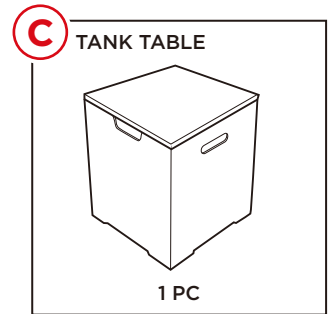
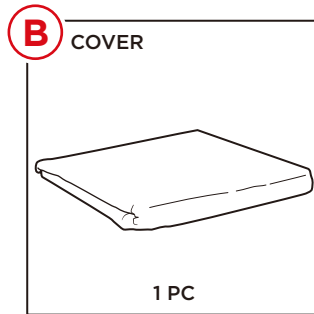
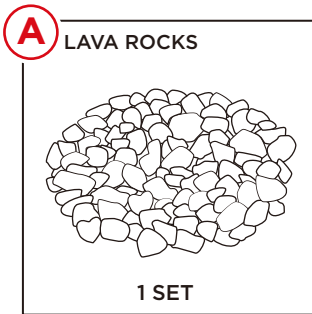
**1 AAA BATTERY  
(PROVIDED)**

NOTE: Battery comes installed in igniter.

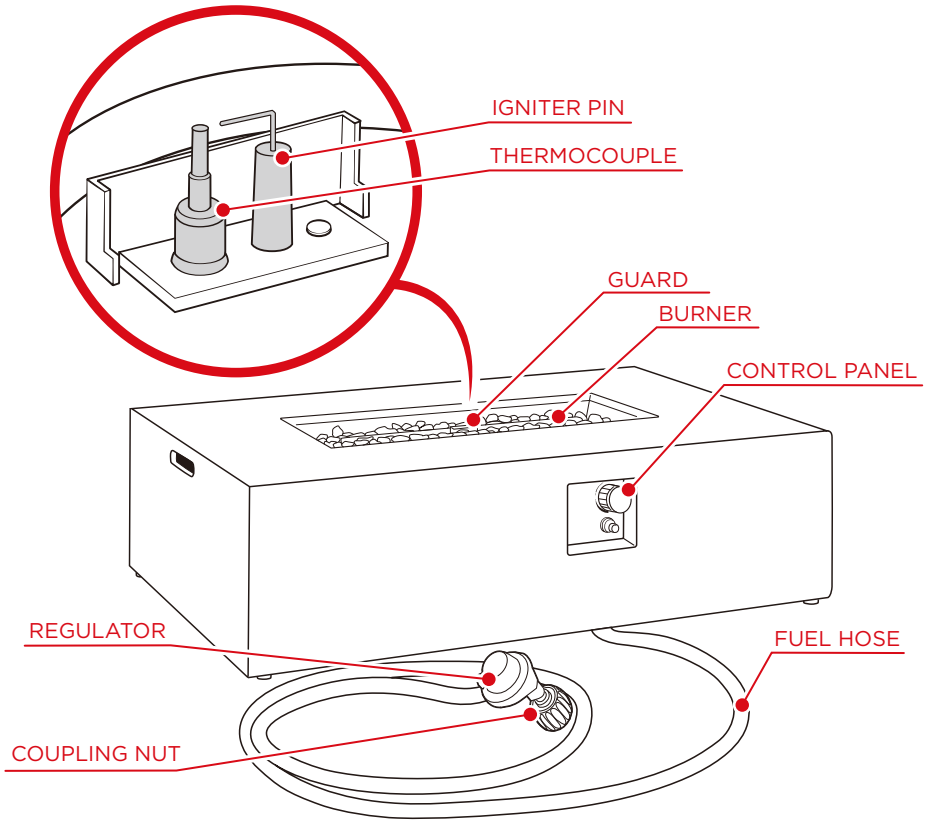


**30 LBS  
TANK TABLE  
CAPACITY**

## PARTS

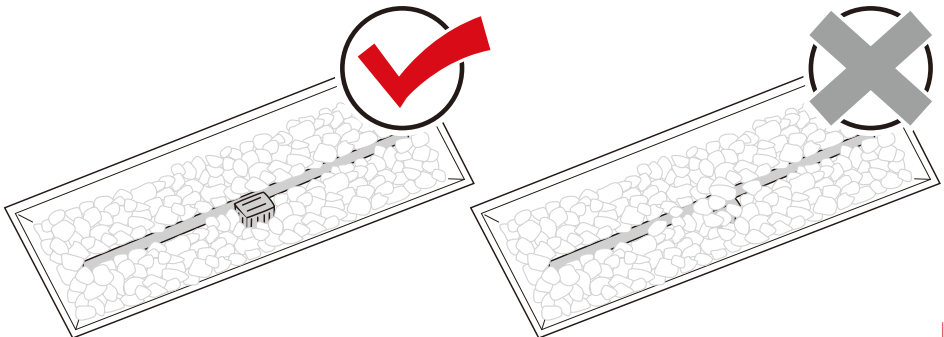


## DIAGRAM



## PLACING LAVA ROCKS

- Lava rocks are located in a box underneath the fire pit.
- Place rocks in fire pit and spread them according to your preference.
  - You may place rocks around burner but do NOT cover the guard.
- Rocks should not be more than  $\frac{1}{4}$  inch above the burner holes.
- Excessive rocks will suffocate the flame.

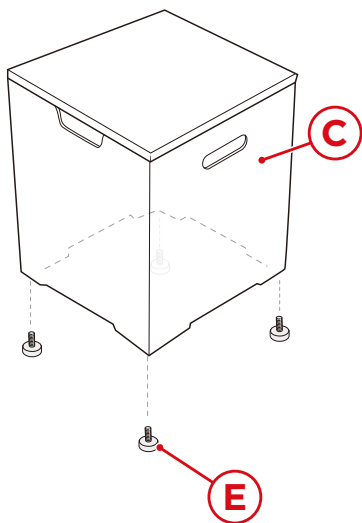


## TANK TABLE ASSEMBLY

**NOTE:** Only use standard 20-pound propane tanks.

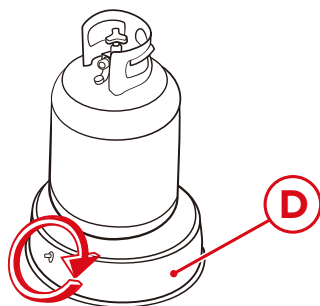
**1**

Screw four part E feet onto the part C tank table. If necessary, adjust feet to level the tank table.



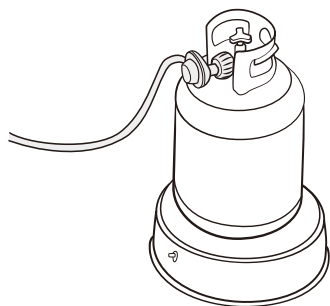
**2**

Place propane tank on part D tank seat. Turn wingnut clockwise to secure tank.



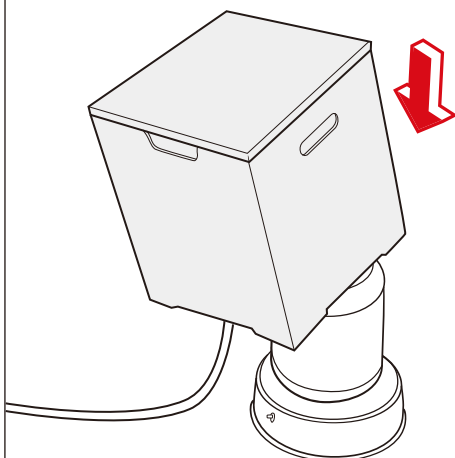
**3**

Attach fuel hose to tank (see Attaching Propane section).



**4**

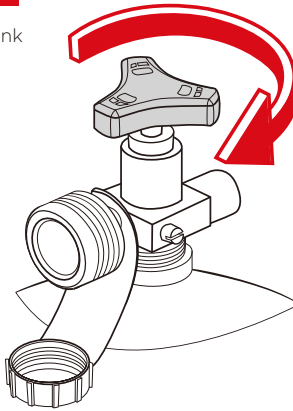
Place the tank table over the propane tank.



## ATTACHING PROPANE

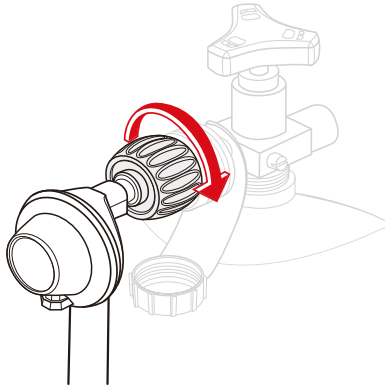
1

Make sure release valve on tank is firmly screwed shut.



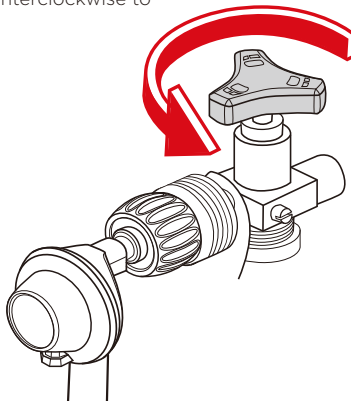
2

Attach fuel hose regulator to the output of the tank by turning the coupling nut clockwise.

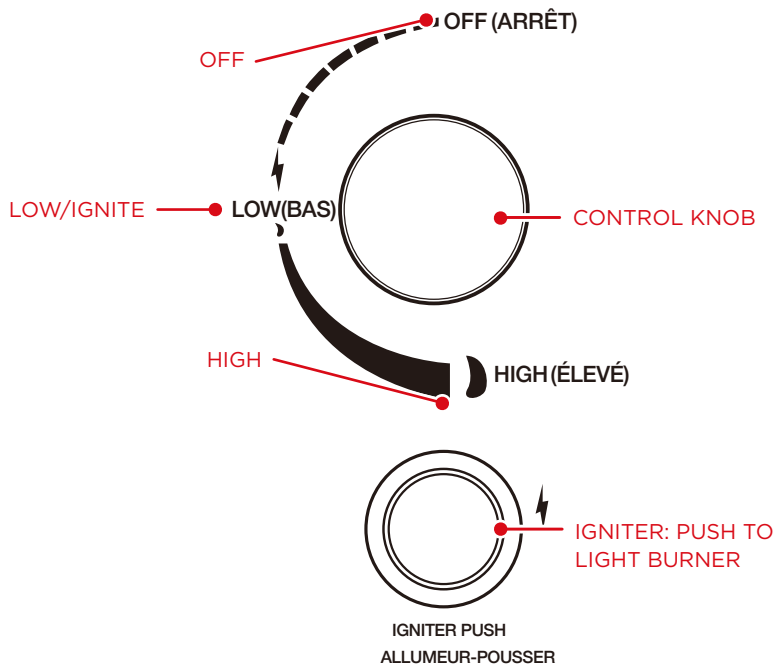


3

Turn release valve on tank counterclockwise to release gas.



## CONTROL PANEL



## OPERATING INSTRUCTIONS

**WARNING:** Before using this outdoor fire pit, please thoroughly read and follow all warnings and instructions written in this manual. Failure to follow warnings and instructions may cause death, serious injury, or property damage.

**NOTE:** During first use, leave fire pit ignited for 20 minutes as lava rocks may pop and cause injury.

1. Push and turn control knob counterclockwise to low/ignite.
2. Press the igniter button repeatedly to light burner.
  - If flames do not ignite after 45 seconds, turn off, wait 5 minutes, and try again.
  - If necessary, light burner with a match or lighter.
3. Adjust flames with the control knob.
4. When finished, push and turn control knob clockwise to off position.
5. Turn valve on propane tank clockwise to turn off gas flow.

## REPLACING BATTERY

If the burner is not lighting, you may need to replace the battery in the igniter.

1. Unscrew igniter button.
2. Insert AAA battery with the positive side facing outwards.
3. Replace igniter button.



## EXCESS FLOW SAFETY DEVICE

If too much gas is flowing into fire pit, the excess flow safety device will activate to drastically reduce gas flow. To reset the safety device, turn fire pit off, wait 30 seconds, then turn on again.

If flames are still low, do the following:

1. Turn off fire pit and turn off gas flow from propane tank.
2. Disconnect the fuel hose from the tank.
3. Turn control knob to high and wait 5 minutes. Turn control knob to off position.
4. Reconnect fuel hose and turn on gas flow. After 30 seconds, light fire pit.

## CLEANING

- Immediately wipe spills before they absorb into surface.
- Make sure fire pit is completely cool before cleaning.
- Use a soft brush or cloth to wipe stains and dirt.
- If necessary, clean with mild detergent and a soft cloth/sponge.
- Thoroughly dry fire pit after cleaning.
- Do not use petroleum-based or abrasive cleaners as it may damage the finish.
- Do not use rough or harsh sponges/brushes.

## STORAGE

- Allow fire pit to cool 10 minutes before storage.
- Place cover on fire pit to protect from harsh weather.
- Do not store in direct sunlight.
- Do not store or use gasoline, or any other flammable vapors or liquids, in the vicinity of the fire pit.
- If propane tank is disconnected, do not store it in the vicinity of the fire pit.
- It is recommended that the fire pit is stored indoors during winter.
- If fire pit is stored indoors, disconnect and leave propane tank outdoors.

## TROUBLESHOOTING

PROBLEM	REASON	SOLUTION
Burner not lighting with igniter	Igniter pin is bent	Bend igniter pin back towards thermocouple
	Guard obstructed	Clear guard of obstructions
	Electrode/burner wet	Dry electrode/burner
	Igniter battery dead	Replace AAA battery in igniter
Burner does not light	Propane tank is empty	Replace/refill tank
	Coupling nut loose	Fully tighten coupling nut
	Bent hose	Straighten hose
	Burner holes obstructed	Remove obstructions or clean holes
Emits a lot of black smoke	Bent hose	Straighten hose
	Burner holes obstructed	Remove obstructions or clean holes
Drop in gas flow, reduced flame height	Propane tank is empty	Replace/refill tank
	Excess flow safety device activated	Follow steps to reset safety device
Irregular flame pattern, or does not run length of burner	Burner holes obstructed	Remove obstructions or clean holes
Flames blow out	Propane tank is empty	Replace/refill tank
	High winds	Turn control knob to high
	Excess flow safety device activated	Follow steps to reset safety device
Flames lose heat in cold weather	Ice buildup on propane tank	Replace tank



**bestchoiceproducts**

---

Thank you for choosing us! Since 2002, Best Choice Products has been bringing customers high-quality products at the absolute lowest price. With everything ranging from instruments and toys to furniture and outdoor, we've got your everyday living essentials covered. We're centered around a customer-first philosophy - with free shipping, exceptional customer service, and a catalog sourced with you in mind.

---



# HELP CENTER



Question about your product? We're here to help. Visit us at:

[help.bestchoiceproducts.com](http://help.bestchoiceproducts.com)



Chat Support



Product Inquiry



Orders FAQ



Product Assembly



Returns & Refunds

## PRODUCT WARRANTY INFORMATION

All items can be returned for any reason within 60 days of the receipt and will receive a full refund as long as the item is returned in its original product packaging and all accessories from its original shipment are included. All returned items will receive a full refund back to the original payment method. All returned items will not be charged a re-stocking fee.

All returned items require an RA (Return Authorization) number, which can only be provided by a Best Choice Products Customer Service Representative when the return request is submitted. Items received without an RA may not be accepted or may increase your return processing time. Once an item has been received by Best Choice Products, refunds or replacements will be processed within 5 business days.

All returns must be shipped back to the Best Choice Products Return Center at the customer's expense. If the reason for return is a result of an error by Best Choice Products then Best Choice Products will provide a pre-paid shipping label via email. Boxes for return shipping will not be provided by Best Choice Products, and is the customer's responsibility to either use the original shipping boxes or purchase new boxes.

Pictures may be required for some returns to ensure an item is not damaged prior to its return. Items returned are not considered undamaged until they are received by Best Choice Products and verified as such. All damages to items are the customer's responsibility until the item has been received by and acknowledge by Best Choice Products as undamaged.



## WARNING

Manufacturer and seller expressly disclaim any and all liability for personal injury, property damage or loss, whether direct, indirect, or incidental, resulting from the incorrect attachment, improper use, inadequate maintenance, or neglect of this product.