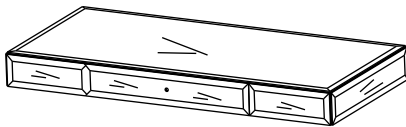


ASSEMBLY INSTRUCTION

X-BASE MIRRORED METAL DESK WITH DRAWER

A Mirrored Top



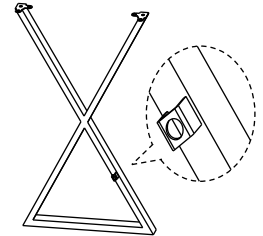
1pc

B Metal Frame



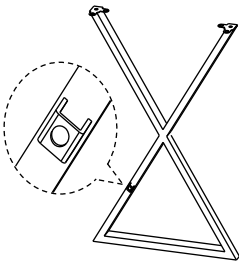
1pc

C Left Panel



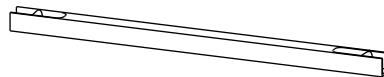
1pc

D Right Panel



1pc

E Stretcher



1pc

F Knob

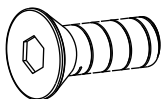
** Pre-attached to the inside of drawer **



1pc

G Bolt

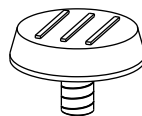
1/4"x5/8"



18pcs

H Leveler

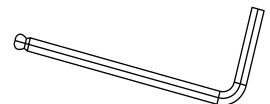
30mm



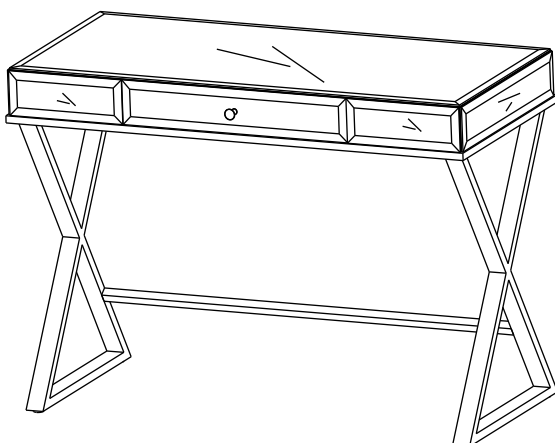
4pcs

I Allen Wrench

1/4"



1pc

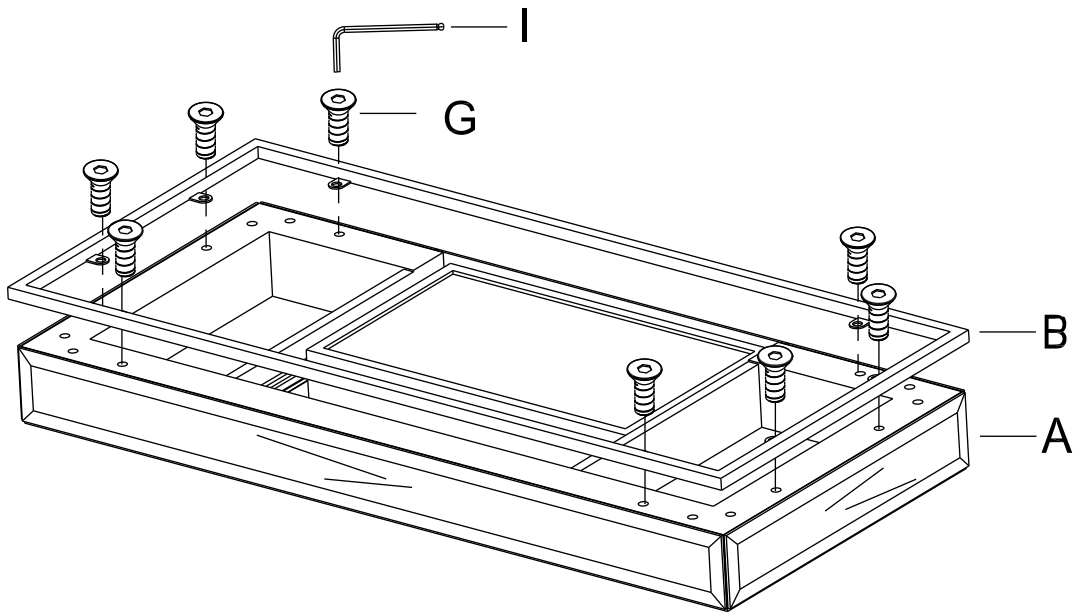


This page lists all the contents included in the box. Please take the time to identify the hardware as well as the individual components to this product. As you unpack and prepare for assembly, place the contents on a carpeted or padded area to protect them from damage.

***** Do not tighten screws & bolts until the entire unit is completely assembled.**

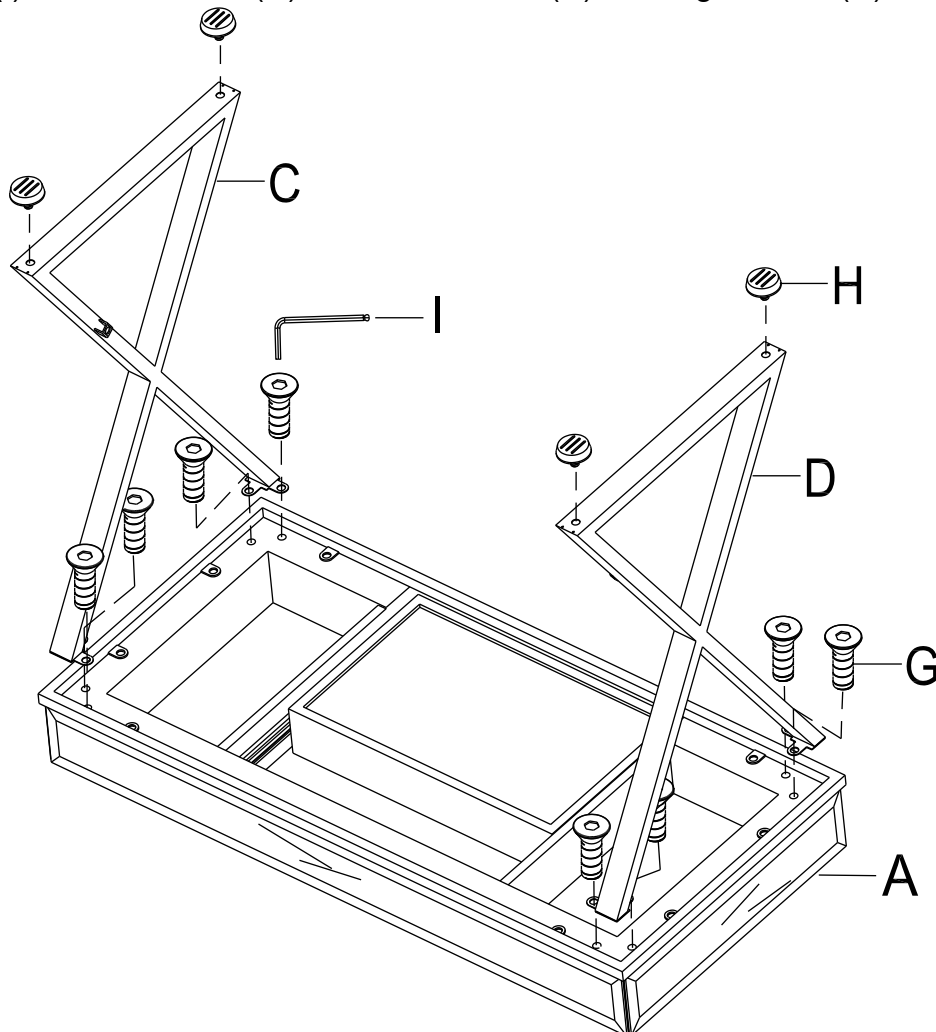
1

Attach Metal Frame (B) to Mirrored Top (A) using Bolt (G) and Allen Wrench (I) as shown.

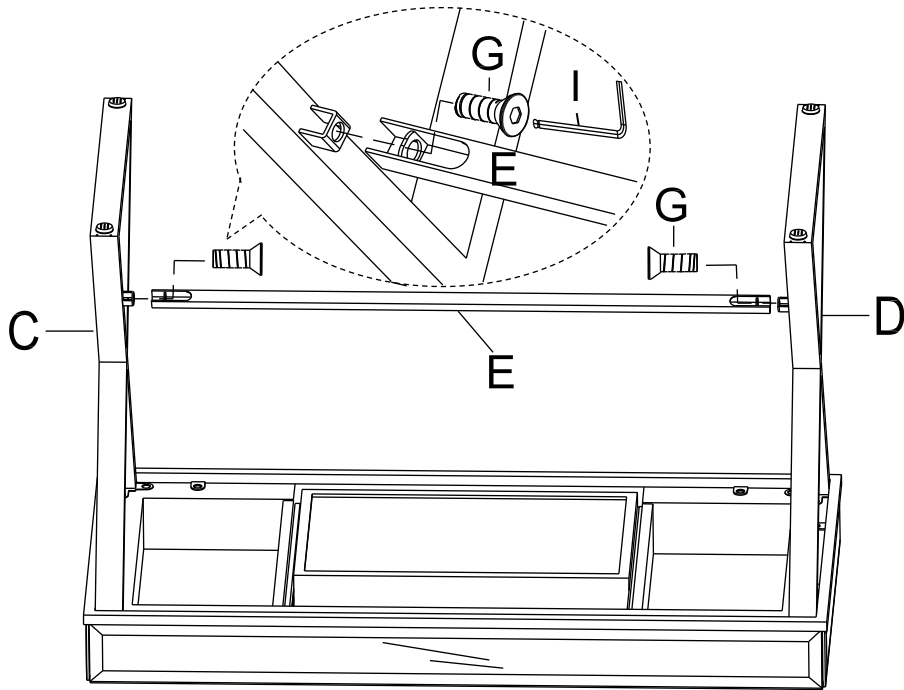


2

Attach Left Panel (C) and Right Panel (D) to Mirrored Top (A) using Bolt (G) and Allen Wrench (I). Attach Leveler (H) to the Left Panel (C) and Right Panel (D) as shown.

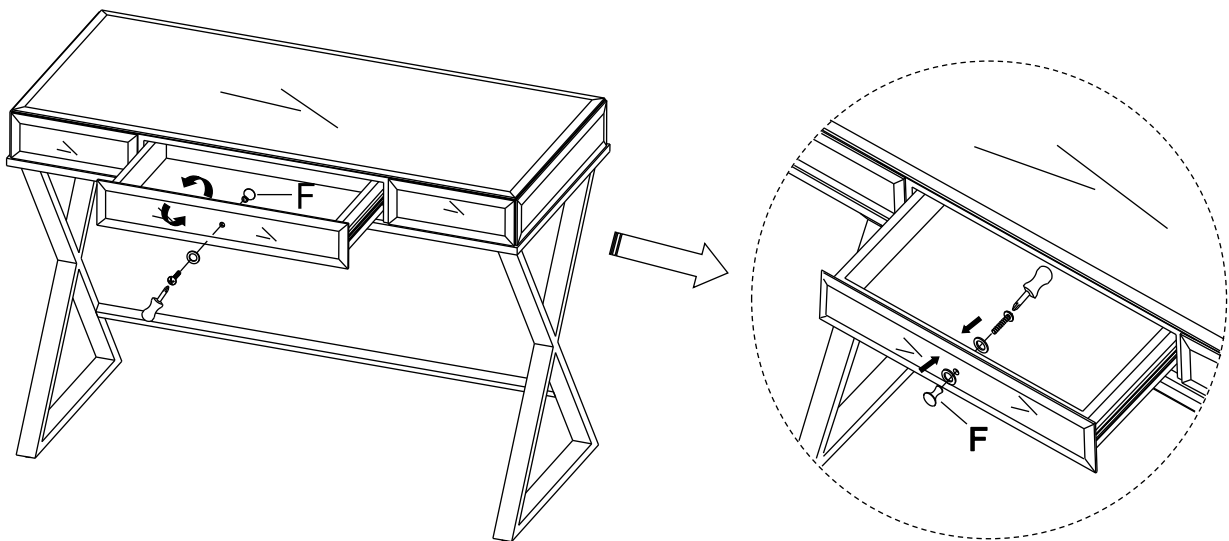


- 3** Attach Stretcher (E) between Left Panel (C) and Right Panel (D) using Bolt (G) and Allen Wrench (I). Tighten all bolts at this step.



- 4** Carefully turn the assembled unit upright. Remove Knob (F) with a bolt and plastic washers from inside of the drawer and reattach on the drawer front as shown.

- Ⓞ The two plastic washers are for the purpose of protecting mirror surface. Please place one of the washers inside of the drawer and place the other one between the drawer front and Knob (F)



Cleaning & Care

Treat surfaces with care. Surfaces are resistant to scratches but are not scratch resistant. Clean surfaces with a dry or damp soft cloth. Do not use abrasive cleaners. Hardware may loosen over time. Periodically check that all connections are tight.