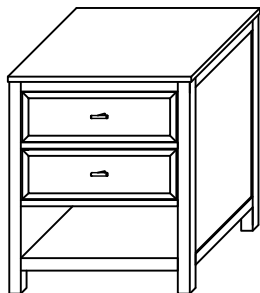


ASSEMBLY INSTRUCTION

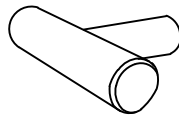
2-DRAWER NIGHTSTAND

A Nightstand



1 pc

B Handle
(Inside the drawer)



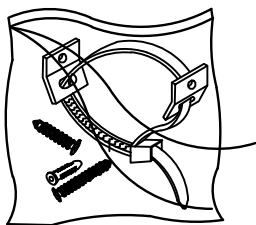
2 pcs

C Screw
25 mm

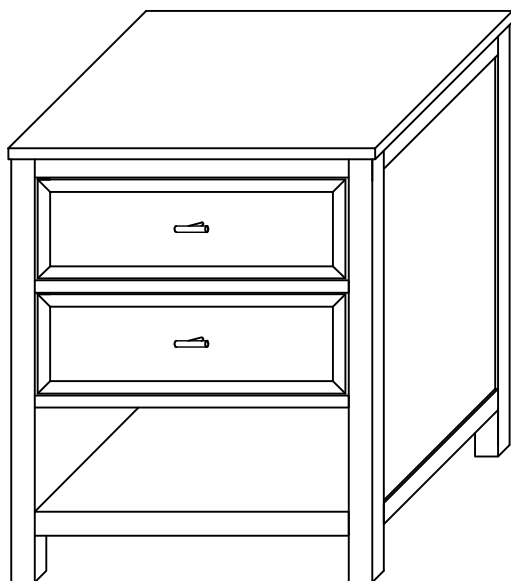


2 pcs

D Anti-Tipping Kit



1 set

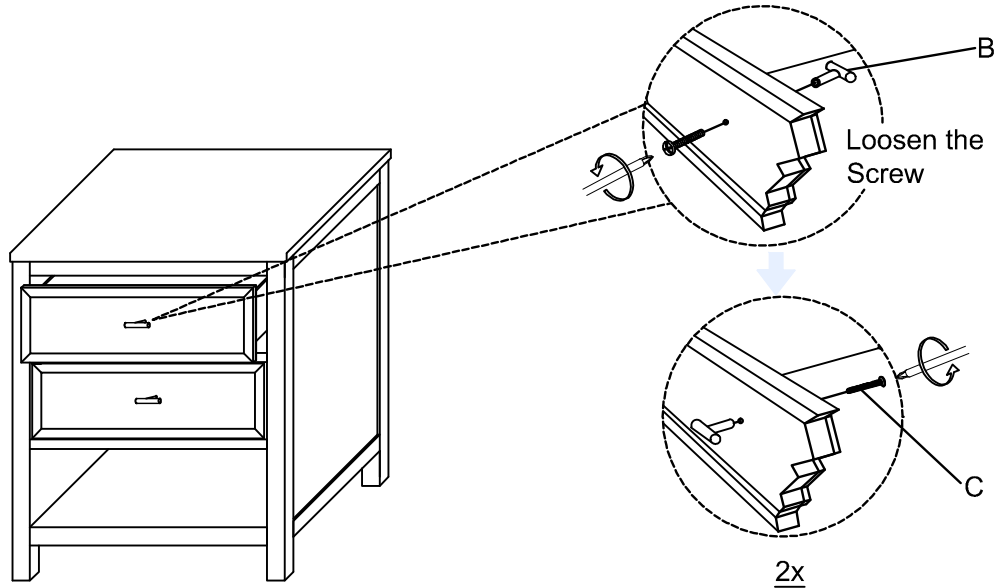


This page lists all the content included in the box. Please take the time to identify the hardware as well as the individual components to this product. As you unpack and prepare for assembly, place the content on a carpeted or padded area to protect them from damage.

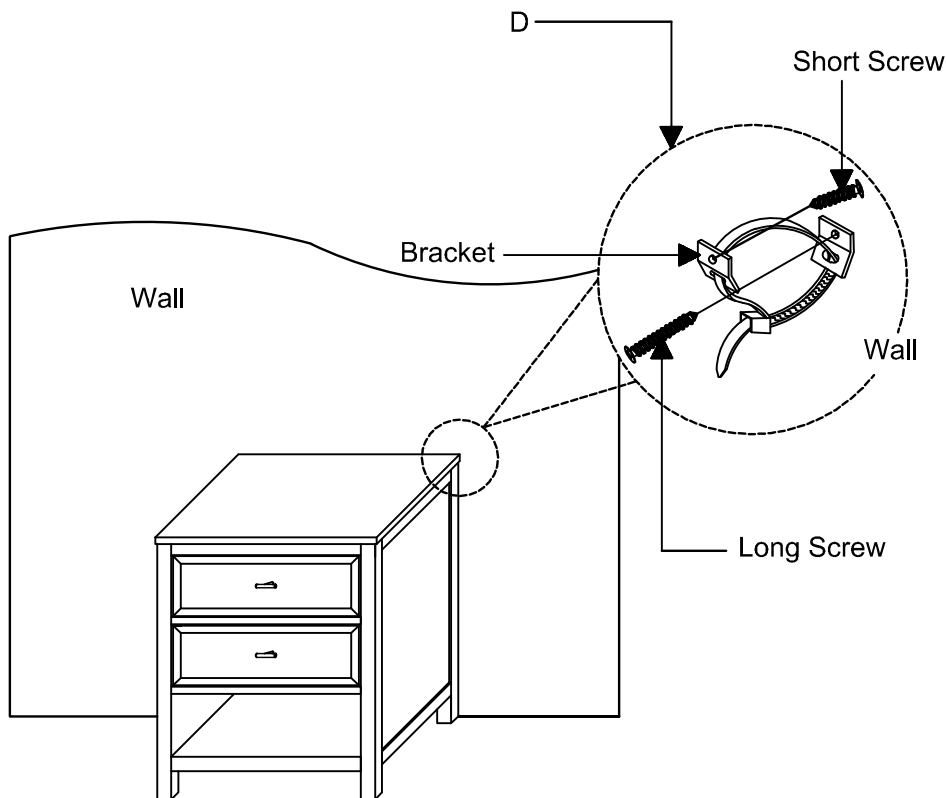
IMPORTANT NOTE :

1. Do not tighten all screw / bolts until all completely assembled.
2. Keep all hardware parts out of reach of children.

- 1** Open all the drawers and loosen the Screw (C) of the Handle (B) to re-assemble the Handle (B).



- 2** Attach Anti-Tipping Kit (D) to wall. Attach bracket (vertically) to wall using the long screw provided. Attach bracket (vertically) to furniture back (directly below top) with short screw. Place bracket as close to center of furniture back as possible in relation to wall stud and the desired position in the room. Move furniture to its final position. Thread the strap through bracket and pull it tight.



CLEANING & CARE

Treat surface with care. Surface is resistant to scratches but is not scratches resistant. Clean surface with a dry or damp soft cloth. Do not use abrasive cleaners. Hardware may loosen over time. Periodically check that all connections are tight.