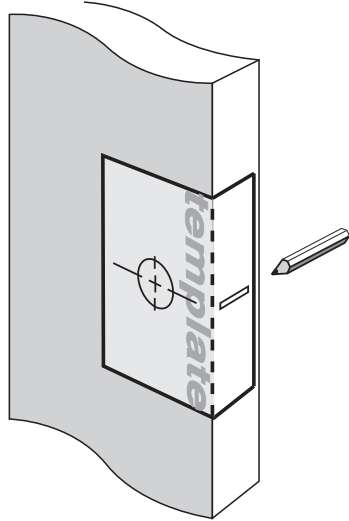


Installation instructions for Sliding Cavity Door Lock

386 Square Passage Set and 396 Circular Passage Set (Refer to drawing on reverse)

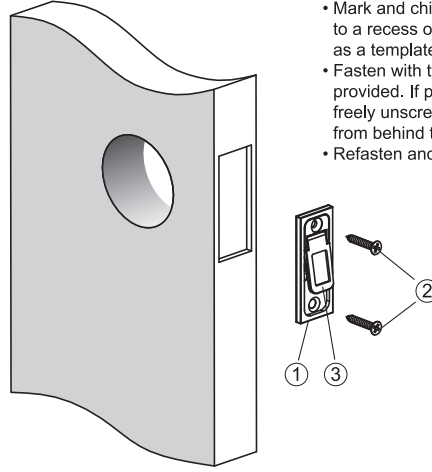
Step 1. Door Preparation

- Fold template where indicated.
- Position template on door edge at desired latch height.
- Firmly hold template and mark pull tab plate height and escutcheon hole centre at required backset. (refer template).
- Measure door thickness and mark centre.
- At required backset drill pilot hole – suggested size 3mm (1/8").
- Enlarge hole to 54mm (2 1/8") as required, drilling from both sides of the door.

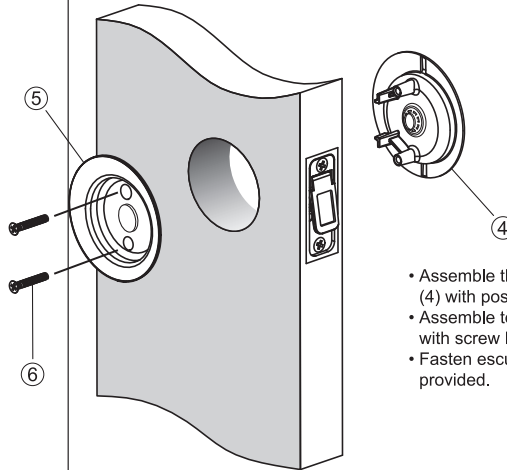


Step 2. Pull Tab Plate Installation

- Mark and chisel latch faceplate (1) to a recess of 4mm. Use faceplate as a template.
- Fasten with two screws (2) provided. If pull tab (3) doesn't move freely unscrew plate and clear wood from behind the pull tab hinge.
- Refasten and check pull tab is free.



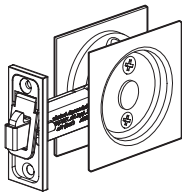
Step 3. Final Assembly



- Assemble the external escutcheon (4) with posts for screws to the door.
- Assemble to internal escutcheon with screw holes to the door (5).
- Fasten escutcheons with screws (6) provided.

NOTE: Carefully follow these instructions when installing. Do not overtighten screws. Use of power drill is not recommended.

Note: Installation instructions also apply to 386 Square Sliding Cavity Door Passage Set



FOLD HERE

Mark centre-line of latch hole

Mark centre-line of latch hole

Fit here on door edge

54mm (2 1/8") hole

BACKSET 60mm (2 3/8")

Fit here on door edge

