



### Warning:

THIS PRODUCT MUST BE INSTALLED IN ACCORDANCE WITH THE APPLICABLE INSTALLATION CODE BY A PERSON FAMILIAR WITH THE CONSTRUCTION AND OPERATION OF THE PRODUCT AND THE HAZARDS INVOLVED.

To avoid the risk of fire, explosion, or electric shock, this product should be installed, inspected, and maintained by a qualified electrician only, in accordance with all applicable electrical codes.

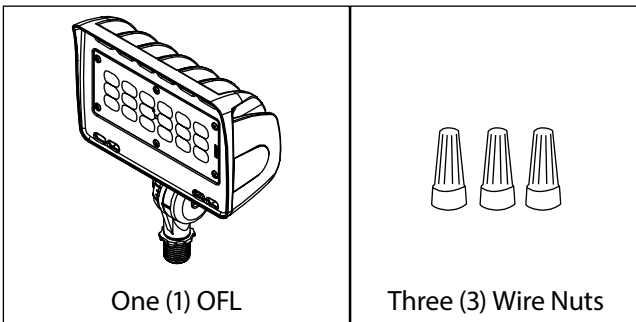
### To avoid electric shock:

- Be certain electrical power is OFF before and during installation and maintenance.
- Luminaire must be connected to a wiring system with an equipment-grounding conductor.
- To maintain Wet Location Rating, ONLY use UL approved wet location junction boxes and conduit.
- Operating temperature: -40°C to 40°C

For supply connections use wire rated for at least 90°C

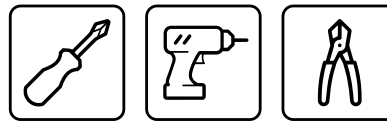
Save these instructions for future reference.

## What's In The Box



## Tools Needed

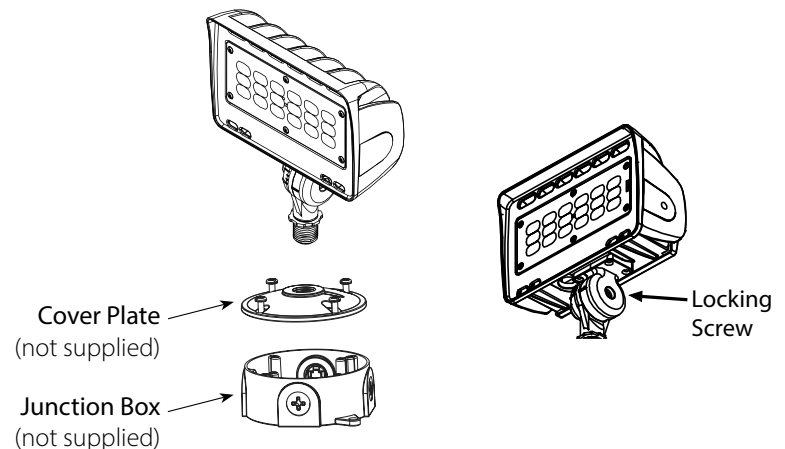
A screwdriver, drill, a pair of wire strippers, and fasteners appropriate for the mounting surface will be needed to install the Ara.



Make sure all power is turned off before beginning installation

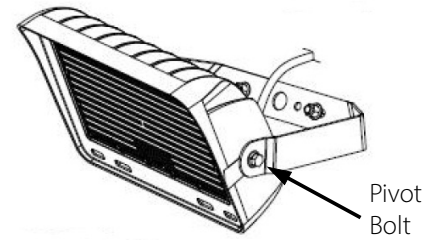
## Knuckle Mount (15, 30, 50 models)

- Insert the stem into a 1/2" NPS hole in a junction box cover or landscape post (not provided).
- Secure knuckle stem to cover plate with locknut.
- Plug all unused holes and seal threads with Teflon tape or silicone.
- Connect wires per wiring diagram and install cover plate on junction box.
- The arm on the floodlight allows 180° of vertical aiming adjustment. To adjust the angle, loosen the screw in the side of the pivot point and adjust to the desired angle.
- Tighten screw to lock fixture position.



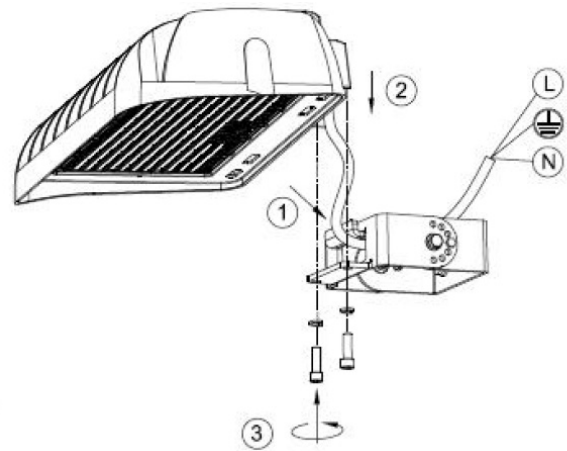
### Yoke (u-bracket) Mount (30, 50, 150W models)

- Mount luminaire to surface using the hole pattern provided on the yoke bracket. Recommend minimum 3/8"-24 bolts and washers (supplied by others).
- Loosen but do not remove the (2) pivot bolts.
- Adjust the position of the luminaire to desired aiming position. Retighten pivot bolts. Assembly should be rigid for fixture mounting.
- Complete wiring per wiring diagram using a suitable cord grip rated for wet location use (provided by others).



### Trunnion Mount (150W model only)

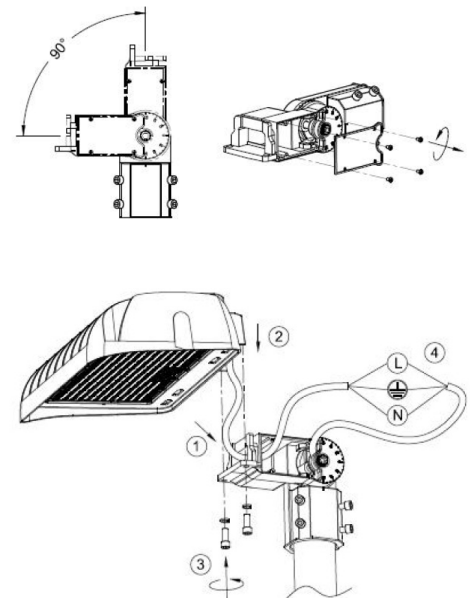
- Loosen but do not remove the (2) pivot bolts.
- Mount trunnion to surface using the hole pattern provided on the trunnion bracket. Recommend minimum 3/8"-24 bolts and washers (supplied by others).
- Guide fixture wire through the dovetail mount and slip the fixture onto dovetail mount.
- Lock fixture to trunnion with the (2) bolts and washers provided.
- Adjust the position of the luminaire to desired aiming position. Retighten pivot bolts. Assembly should be rigid for fixture mounting.
- Complete wiring per wiring diagram using a suitable cord grip rated for wet location use (provided by others).



### Slipfitter Mount (150W model only)

Note: The slipfitter fits a 2 3/8" O.D. Tenon.

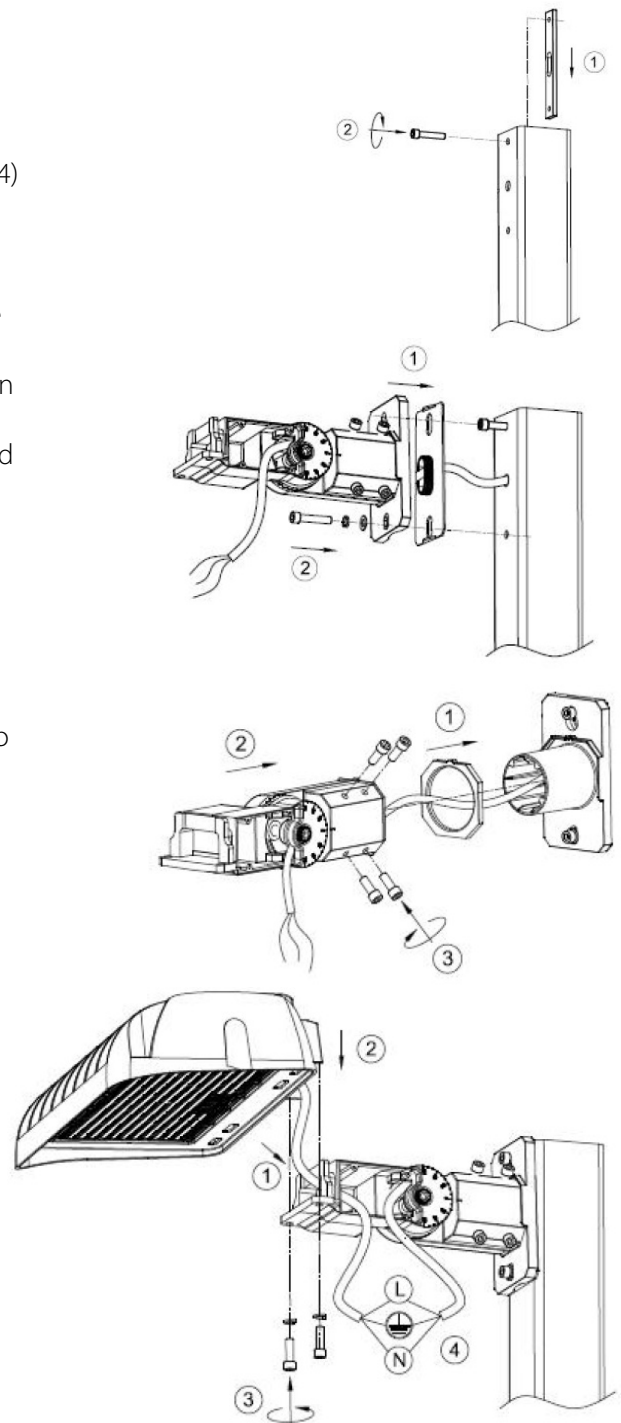
- Remove the wiring cover of the slipfitter arm by removing the (4) screws.
- Loosen but do not remove the center pivot bolt and adjust to 90 degrees.
- Guide the supply wire through the arm and into the wiring box, place the slipfitter over the tenon, and secure with the (4) set screws.
- Guide fixture wire through the dovetail mount into the wiring box and slip the fixture onto dovetail mount.
- Lock fixture to the slipfitter with the (2) bolts and washers provided.
- Complete wiring per wiring diagram
- Reattach the wiring cover by installing the (4) screws.
- Adjust the position of the luminaire to desired aiming position. Retighten pivot bolt.



### Slipfitter Mount with Wall Adapter (150W model only)

Note: The adapter fits a square pole of 3" or larger or a flat wall.

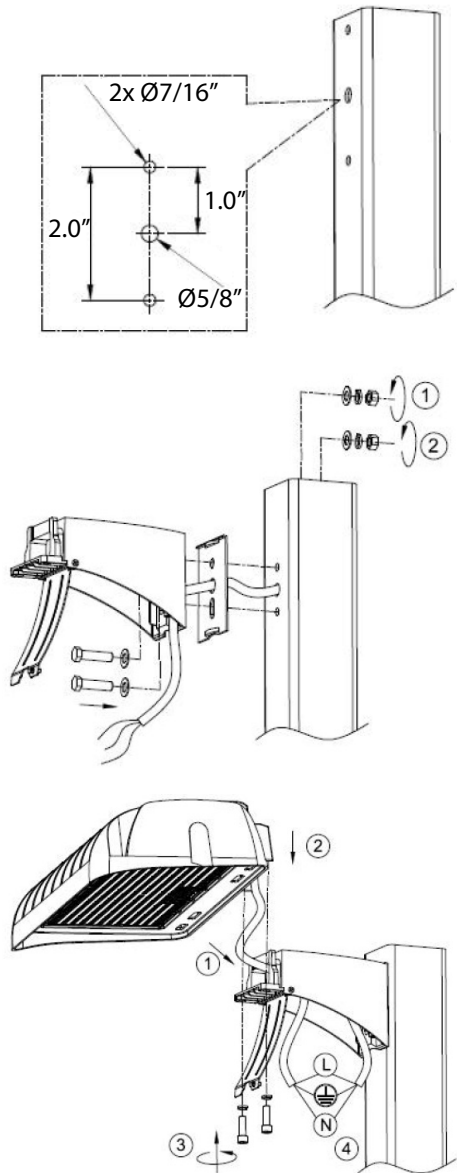
- Using the Adapter base as a template, mark the mounting surface.
- Remove the wiring cover of the slipfitter arm by removing the (4) screws.
- Install the Adapter backer bar with the top bolt only.
- Guide the supply wire through the access hole and into the wiring box, while hanging the Adapter and Slipfitter arm on the top bolt.
- Secure the Adapter and Slipfitter with the lower bolt and tighten all bolts to firmly mount the Adapter.
- Install the spacer ring and place the slipfitter over the tenon, and secure with the (4) set screws.
- Guide fixture wire through the dovetail mount into the wiring box and slip the fixture onto dovetail mount.
- Lock fixture to the slipfitter with the (2) bolts and washers provided.
- Complete wiring per wiring diagram
- Reattach the wiring cover by installing the (4) screws.
- Loosen the pivot bolt and adjust the position of the luminaire to desired aiming position. Retighten pivot bolt.



### Straight Arm Mount (150W model only)

Note: The Arm fits a square pole of 3" or larger or a flat wall.

- Mark the mounting surface using the dimensions given. The arm base may also be used as a template.
- Open the wiring cover of the arm by removing the retaining screw.
- Guide the supply wire through the access hole, through the mounting plate and into the Arm wiring box.
- Secure the Arm by inserting (2) bolts and attaching with nuts and washers.
- Guide fixture wire through the dovetail mount into the wiring box and slip the fixture onto dovetail mount.
- Lock fixture to the Arm with the (2) bolts and washers provided.
- Complete wiring per wiring diagram
- Reattach the wiring cover by installing the retaining screw.



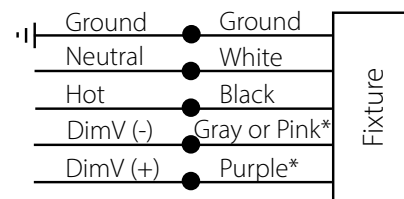
### Electrical Installation

Note: Universal voltage driver allows connections from 120VAC to 277VAC, 50/60Hz.

- Connect the black fixture wire to the HOT supply lead.
- Connect the white fixture wire to the NEUTRAL supply lead.
- Connect the ground fixture wire to the GROUND supply lead.

If 0-10V dimming wires are present and desired:

- Connect the purple fixture wire to the DimV+ controls lead.
- Connect the pink fixture wire to the DimV- controls lead.



\*Cap if not used.

Dimming wires present on 150W models only.

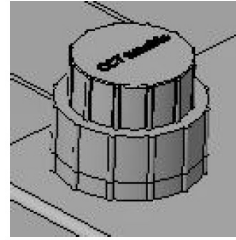
### CCT Selection (150W model only)

Note: The 150W model is available in Single CCT and Selectable CCT versions.

To adjust the CCT on the Selectable versions do the following:

It is recommended to adjust the CCT with the power OFF.

- Unscrew the selector switch cover on the bottom of the fixture.
- Turn the dial to the desired CCT setting (3000K, 4000K, 5000K, 5700K)
- Replace the selector switch cover.



CCT selector switch cover

Subject to the exclusions below, each NICOR LED product, including the LED electronics and components of a property installed NICOR LED product, will be free from defect in materials and workmanship for a period of five (5) years from the original date of purchase. The product shall be considered defective only if 10% or more of the product's LED components fail. NICOR LED product warranty covers the following performance criteria: LED Light Output will be maintained above 70% of initial output; LED color temperature will not shift more than 200K in CCT; LED driver will operate within NICOR specifications; and the fixture finish, excluding natural aluminum or brass products, will not exhibit cracking, peeling, excessive fading, or corrosion during the warranty period. Exceptions apply as defined in NICOR's product specification sheets, which are incorporated by reference herein.

This limited warranty is provided to you, the purchaser of the product identified on Seller's invoice, as your exclusive remedy and applies only to NICOR products that have been purchased from an authorized NICOR Distributor; the product was new and in an unopened NICOR package at the time of installation; and the NICOR product was installed by a licensed electrician or under the supervision of a licensed electrician and used by consumers in the United States or Canada when accompanied with this warranty. This warranty extends only to the first consumer purchaser and is not transferable. A consumer wishing to invoke the terms of this limited warranty must first obtain a RGA number within 30 days of discovery of the defect, and return the product to NICOR for inspection. Once verified to be covered by this limited warranty, NICOR will, at its sole discretion, repair, replace, or refund the purchase price of any product that does not conform to this limited warranty. If NICOR, at its sole discretion, determines that the product should be repaired or replaced, this warranty is limited to the reasonable, customary, and necessary costs and expenses associated with the repair/replacement. This warranty requires that all repair/replacement estimates and costs, including but not limited to equipment rental (if any), and any other cost or expense to be incurred in the repair/replacement of the product, be approved in advance and in writing by NICOR. FAILURE TO OBTAIN NICOR'S ADVANCE WRITTEN APPROVAL OF ALL REPAIR/REPLACEMENT COSTS AND EXPENSES IN WRITING SHALL VOID THIS LIMITED WARRANTY.

#### THIS LIMITED WARRANTY DOES NOT COVER THE FOLLOWING:

- Defects or damages resulting from improper installation, operation, storage, misuse or abuse, accident, or neglect;
- Defects or damages resulting from improper service, testing, adjustment, installation, maintenance, alteration, connection to out-of-specification electrical service, corrosive or damp environments, or connection to incompatible equipment or devices (e.g., connecting non-dimmable lighting products to dimmers);
- Damage which occurs in transit;
- Power surges or overheating due to external conditions
- Acts of nature including but not limited to lightning strikes

ANY IMPLIED WARRANTIES, INCLUDING WITHOUT LIMITATION, THE IMPLIED WARRANTIES OF MERCHANTABILITY AND FITNESS FOR A PARTICULAR PURPOSE SHALL BE LIMITED TO THE DURATION OF THIS LIMITED WARRANTY, OTHERWISE THE REPAIR, REPLACEMENT, OR REFUND AS PROVIDED UNDER THIS EXPRESS LIMITED WARRANTY IS THE EXCLUSIVE REMEDY OF THE CONSUMER, AND IS PROVIDED IN LIEU OF ALL OTHER WARRANTIES, EXPRESS OR IMPLIED. IN NO EVENT SHALL NICOR BE LIABLE, WHETHER IN CONTRACT OR IN TORT (INCLUDING NEGLIGENCE) FOR DAMAGES IN EXCESS OF THE PURCHASE PRICE OF THE PRODUCT, OR FOR ANY INDIRECT, INCIDENTAL, SPECIAL OR CONSEQUENTIAL DAMAGES OF ANY KIND, OR LOSS OF REVENUE OR PROFITS, LOSS OF BUSINESS OR OTHER FINANCIAL LOSS ARISING OUT OF OR IN CONNECTION WITH THE ABILITY OR INABILITY TO USE THE PRODUCT TO THE FULL EXTENT THESE DAMAGES MAY BE DISCLAIMED BY LAW

This device complies with part 15 of the FCC Rules. Operation is subject to the following two conditions: (1) This device may not cause harmful interference, and (2) this device must accept any interference received, including interference that may cause undesired operation.

NOTE: This equipment has been tested and found to comply with the limits for a Class B digital device, pursuant to part 15 of the FCC Rules. These limits are designed to provide reasonable protection against harmful interference in a residential installation. This equipment generates, uses and can radiate radio frequency energy and, if not installed and used in accordance with the instructions, may cause harmful interference to radio communications. However, there is no guarantee that interference will not occur in a particular installation. If this equipment does cause harmful interference to radio or television reception, which can be determined by turning the equipment off and on, the user is encouraged to try to correct the interference by one or more of the following measures:

- Reorient or relocate the receiving antenna.
- Increase the separation between the equipment and receiver.
- Connect the equipment into an outlet on a circuit different from that to which the receiver is connected.
- Consult the dealer or an experienced radio/TV technician for help.