

## 3.5-Gallon Clear EZ STOR® Container with Hinged Cover

### Multiple Uses

Dry Products

### Product Codes

Container: **E357 Clear**

Description: 3.5-gallon rectangular can

Cover: **E4DR**

Description: Dry seal, tamper-evident, hinged, EZ open & close cover with Ring Pull®

### Features

Built in hand grips  
 Gauge: 65 mil.  
 Nominal capacity: 3.5 USG / 13.2 L  
 Stack performance: 150 lbs.\*  
 Tare weights: Body: 1.12 lbs. / .51 kgs.  
 Cover: .38 lbs. / .17 kgs.

Note: \*Ratings will be reduced with uneven load distribution.

### Specifications with Cover

Dimensions: 12-1/16"L X 10-1/16"W X 11-3/8"H  
 Maximum capacity: 3.88 USG / 14.7 L  
 Tare weight: 1.50 lbs. / .68 kgs.

### Colors

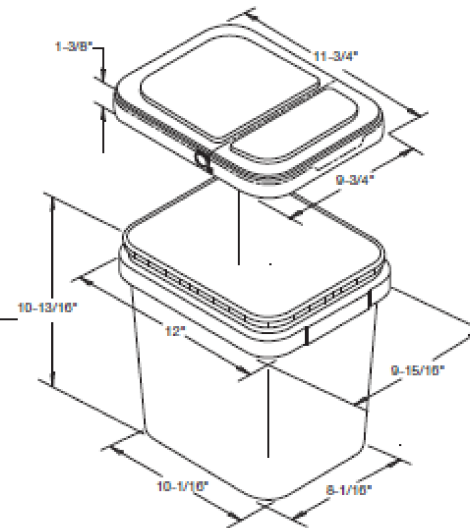
Clear Polypropylene (PP)

### Decorating Options\*

Four or six color offset printing\*\*  
 Sleeve or pressure sensitive labeling  
 NXT Graphics®

Note: \*See EZ Stor Decoration Summary for further details.

\*\*Where available.



### Shipping Data

	Bodies	Covers	Filled Containers
Qty. per pallet:	288	2,304 (32 boxes of 72)*	64 (16 per layer / 4 layers high)
Gross Weight (lbs./kgs.)**:	322.5/146.8	875.5/391.6	Pallet height: 50"
Den. (lbs./C.F./kgs./m3):	5.6/91.5	10.6/167.6	
Length (in./cm.):	48.0/121.9	47/119.4	
Width (in./cm.):	40.0/101.6	41/104.1	
Height (in./cm.):	51.0/129.5	74/188	

Estimated truckload quantity of 12,672 bodies and covers\*\*\*

Note: \*Bulkpack of 1120 also available

\*\*Weight does not include pallet / packaging

\*\*\*Truckload quantity based on 53' trailer

### Materials

FDA approved materials  
 Resin: Body: Clarified Polypropylene (PP)  
 Cover: Polypropylene (PP)  
 MSDS Sheets available upon request

### Optional Carrying Handle

#### DISCLAIMER

THIS INFORMATION IS PROVIDED AS A GENERAL GUIDE, INCLUDING DIMENSIONS. IT IS THE CUSTOMER'S RESPONSIBILITIES TO SELECT THE PROPER CONTAINER FOR PRODUCT AND APPLICATION COMPATIBILITY.

DISTRIBUTED BY:



REF NO.:

DWG10155

DESCRIPTION:

3.5 gallon HDPE EZ Stor