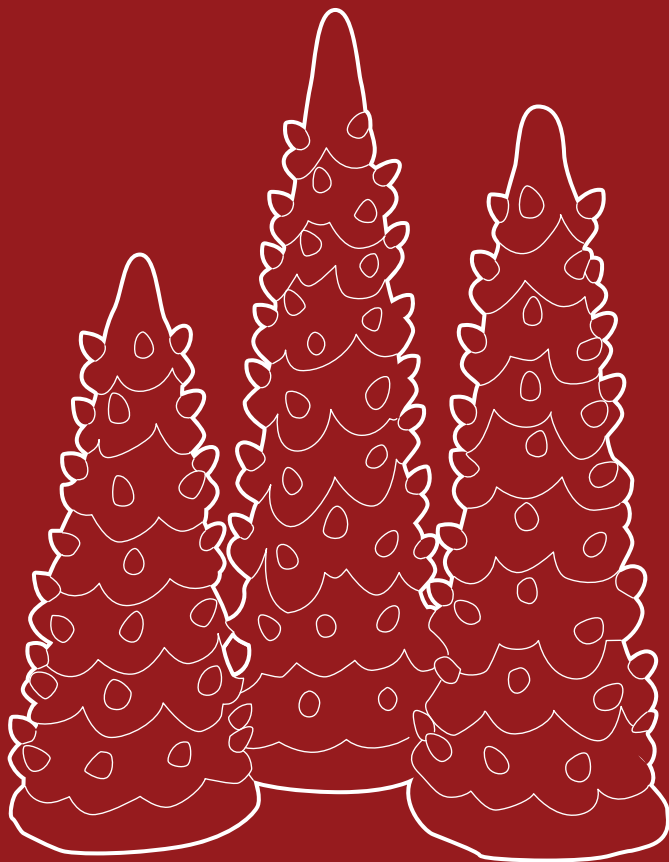




BEST CHOICE  
PRODUCTS



# INSTRUCTION MANUAL

---

Set of 3 Ceramic  
Christmas Tree



**BEST CHOICE  
PRODUCTS**

---

As shoppers, we're always trying to find the perfect balance between quality & value. At BCP, we believe we've achieved that. Our diverse catalog of everyday essentials is tailored especially to our customers & guaranteed to hit that sweet spot of high quality & low price.

— Always. —

## NOTICE

Please retain these instructions for future reference.

- This product is not intended for outdoor use.
- This product is seasonal and not intended for permanent installation or use.
- Do not leave children unattended with this tree. This product is NOT a toy.
- If any parts are missing, broken, damaged, or worn, stop using this item until repairs are made and/or factory replacement parts are installed.
- Do not use this item in a way inconsistent with the manufacturer's instructions as this could void the product warranty.
- This product is intended for residential use only.

## WARNINGS REGARDING BATTERIES

The following safety hazards may result in serious injury or death:

- Do not mix alkaline, standard (carbon zinc) and rechargeable (nickel hydride) batteries.
- Do not mix old and new batteries.
- Non-rechargeable batteries should not be charged.
- Rechargeable batteries should be charged under adult supervision only.
- Exhausted batteries should be removed.
- The supply terminals should not be short-circuited.
- Do not put batteries next to or in a heat source (fire, electronic heating device etc.)
- Do not hit batteries against hard objects.
- Do not submerge batteries in water.
- Batteries should be inserted with the correct polarity.

## WARNING

- Do not mount or place near sources of heat such as fireplaces, candles, or heaters.
- Do not cover this product with cloth, paper or other materials when in use.
- Do not use products if there are cracks in lights or enclosures, loose connections, or visible/exposed copper wire.
- This product contains small parts, which may result in a choking hazard.

## TOOLS REQUIRED



PHILLIPS  
SCREWDRIVER  
(Provided)



9 AAA BATTERIES  
(Not Provided)



1 PERSON  
ASSEMBLY



APPROXIMATELY  
5 MIN.  
ASSEMBLY

## PARTS

**A** SMALL CERAMIC  
CHRISTMAS TREE



1 PC

**B** MEDIUM CERAMIC  
CHRISTMAS TREE



1 PC

**C** LARGE CERAMIC  
CHRISTMAS TREE



1 PC

**D** SMALL SCREW



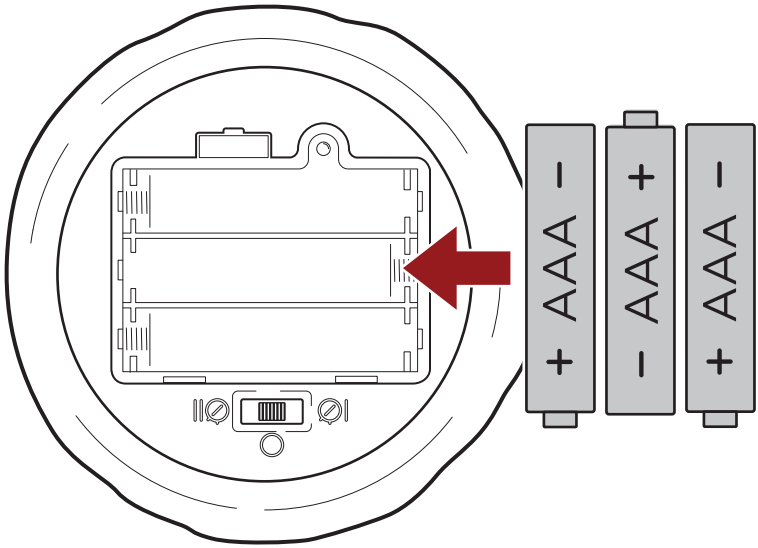
3 PCS

## PRODUCT ASSEMBLY

1

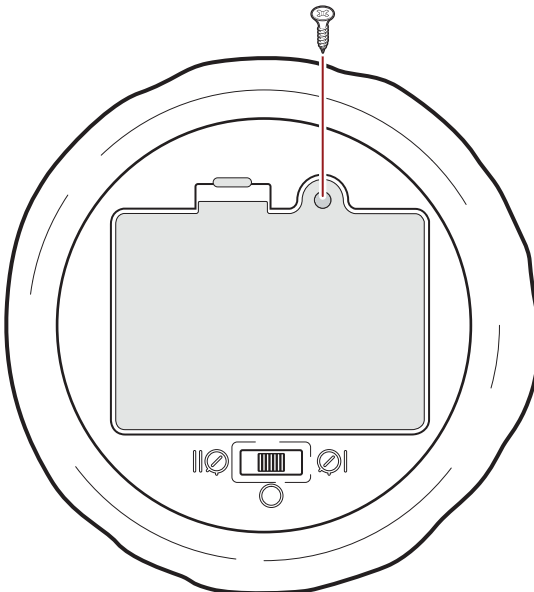
Remove all contents from the packaging.

Locate the battery compartment on the bottom of the **part A, B, and C ceramic Christmas trees** and insert three "AAA" batteries (not included) into each compartment, then reattach the battery covers.



2

OPTIONAL Use the included screwdriver and the **part D small screws** to secure the battery covers.

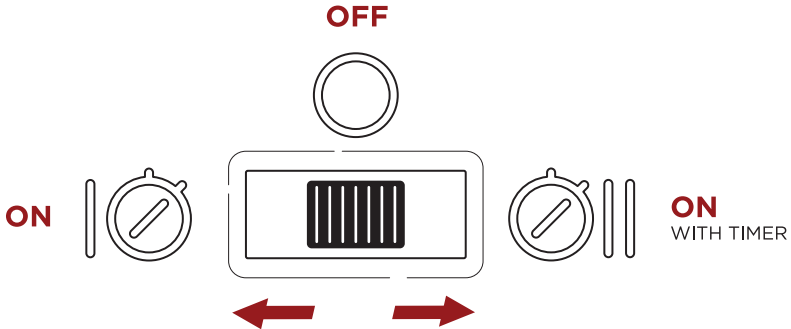


## PRODUCT ASSEMBLY

3

Push the power switch on the bottom of each tree to the left or right to activate the light functions.

- **On w/Timer** automatic shutoff after 6 hours, resumes after 18 hours.
- **Steady On** only turns off by returning the switch to the middle.



## REPLACING BATTERIES

1. Open the battery compartment cover. Remove all the old batteries.
2. Insert three "AAA" batteries. For best results, use alkaline batteries.
3. Close the battery compartment cover.



**BEST CHOICE  
PRODUCTS**

---

Check out more great products:  
**[bestchoiceproducts.com](https://www.bestchoiceproducts.com)**

---



# HELP CENTER



Question about your product? We're here to help. Visit us at:

[help.bestchoiceproducts.com](http://help.bestchoiceproducts.com)



Chat Support



Product Inquiry



Orders FAQ



Product Assembly



Returns & Refunds

## PRODUCT WARRANTY INFORMATION

All items can be returned for any reason within 60 days of the receipt and will receive a full refund as long as the item is returned in its original product packaging and all accessories from its original shipment are included. All returned items will receive a full refund back to the original payment method. All returned items will not be charged a re-stocking fee.

All returned items require an RA (Return Authorization) number, which can only be provided by a Best Choice Products Customer Service Representative when the return request is submitted. Items received without an RA may not be accepted or may increase your return processing time. Once an item has been received by Best Choice Products, refunds or replacements will be processed within 5 business days.

All returns must be shipped back to the Best Choice Products Return Center at the customer's expense. If the reason for return is a result of an error by Best Choice Products then Best Choice Products will provide a pre-paid shipping label via email. Boxes for return shipping will not be provided by Best Choice Products, and is the customer's responsibility to either use the original shipping boxes or purchase new boxes.

Pictures may be required for some returns to ensure an item is not damaged prior to its return. Items returned are not considered undamaged until they are received by Best Choice Products and verified as such. All damages to items are the customer's responsibility until the item has been received by and acknowledge by Best Choice Products as undamaged.



## WARNING

Manufacturer and seller expressly disclaim any and all liability for personal injury, property damage or loss, whether direct, indirect, or incidental, resulting from the incorrect attachment, improper use, inadequate maintenance, unapproved modification, or neglect of this product.