

## Features

- Arched swing spout with 154° rotation offers clearance for filling pitchers, chilling bottles and cleanup
- 7-3/4" (197 mm) spout reach
- Single lever handle is simple to use and makes adjusting water temperature easy
- Temperature memory allows faucet to be turned on and off at the temperature set during prior usage
- KOHLER® ceramic disc valves exceed industry longevity standards for a lifetime of durable performance
- 1.5 gpm (5.7 lpm) maximum flow rate at 60 psi (4.14 bar)

## Material

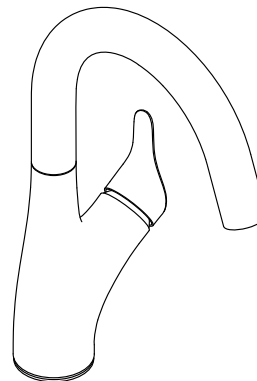
- Premium material construction for durability and reliability
- KOHLER finishes resist corrosion and tarnishing

## Installation

- Single-hole installation
- Flexible supply lines simplify installation

## Optional Products/Accessories

K-24461 Three-hole kitchen faucet escutcheon



ADA

CSA B651

## Codes/Standards




ASME A112.18.1/CSA B125.1  
NSF/ANSI/CAN 61  
NSF/ANSI/CAN 372  
DOE - Energy Policy Act 1992  
California Energy Commission (CEC)  
ADA  
ICC/ANSI A117.1  
CSA B651

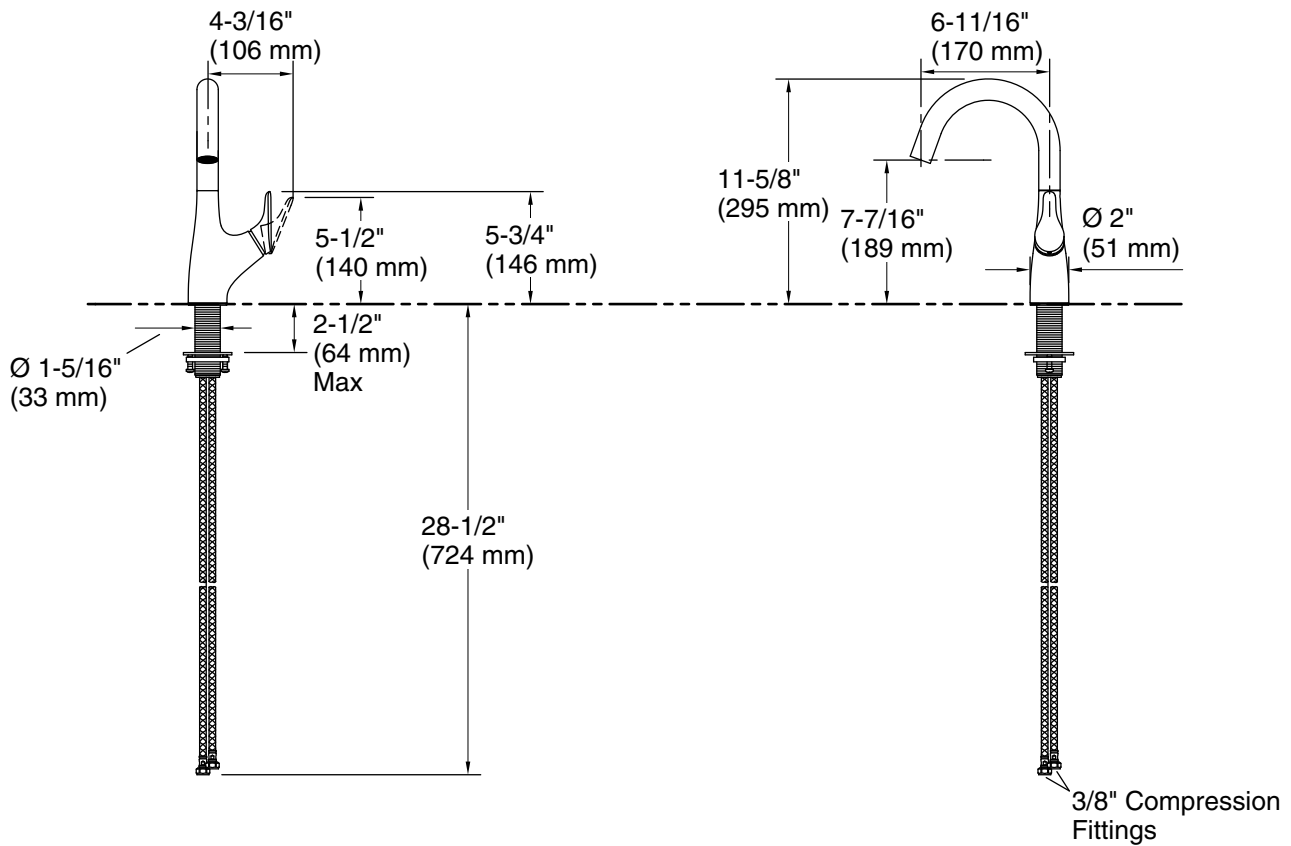
## KOHLER® Faucet Lifetime Limited Warranty

See website for detailed warranty information.

## Available Colors/Finishes

*Color tiles intended for reference only.*

Color	Code	Description
	CP	Polished Chrome
	VS	Vibrant® Stainless
	BL	Matte Black



### Technical Information

All product dimensions are nominal.

Faucet flow rate: 1.5 gal/min (5.7 l/min)

### Spout:

Spout reach: 6-11/16" (169 mm)

Handle clearance: 4-1/4" (108 mm)

### Notes

Install this product according to the installation instructions.

ADA compliant for faucet handles only

ADA, CSA B651 compliant when installed to the specific requirements of these regulations.