

DQR5

5" LED Square Retrofit Kit

Product Description

The DQR5 takes everything you love about NICOR's recessed downlighting family with the added design aesthetic of a square trim. Compatible with most 5" recessed housings, this luminaire delivers incredible color accuracy with 90+ CRI and flexible dimming capabilities. Designed to boost energy efficiency, the LED light engine draws only 14.5 watts while achieving a light output to over 1100 lumens. The DQR5 is an ideal commercial, retail, institutional or residential downlight choice for retrofit or new construction. From LED color rendering and trim finishes to fixture performance, the design style blends nicely with other fixtures in this design series.

Construction

- Die cast aluminum trim routes heat away from electrical components
- Low profile, integrated driver, allows for use in shallow housings

Optical System

- Polystyrene diffuser and reflector cone create a uniform light distribution that reduces glare without sacrificing lumen output

Electrical

- Utilizes high performing LEDs with greater than 90 CRI and an R9 greater than 50
- Dimmable to 10% with most standard dimmers
- Thermally protected, high efficiency driver standard
- Operating temperature rating of 0°F to 120°F (-18°C – 49°C)
- Input voltage of 120V
- L70 rated for greater than 50,000 hours
- LM-79, LM-80 testing performed in accordance with IESNA standards

Finish

- Exterior white powder coat finish, with interior high reflective finish
- Also available in Black, Oil-Rubbed Bronze and Nickel

Installation

- Compatible with most 5" recessed housings
- Quick and easy installation with a screw-in Edison base (GU24 socket string available) and torsion spring mounting system

Warranty

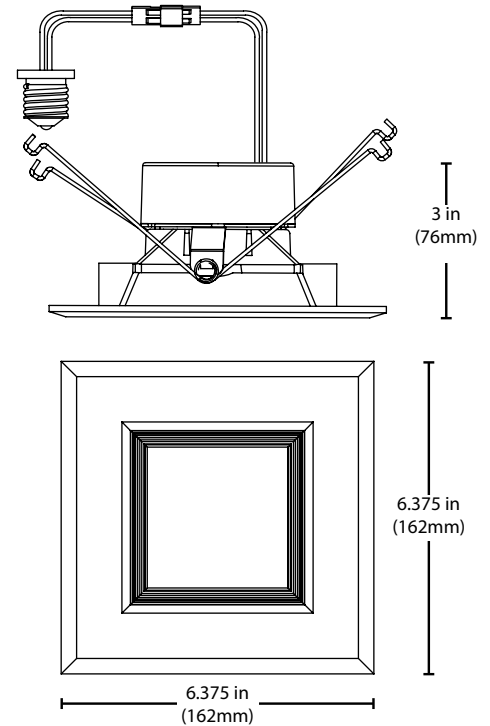
- 5-year limited system warranty standard

Project _____

Catalog _____

Type _____

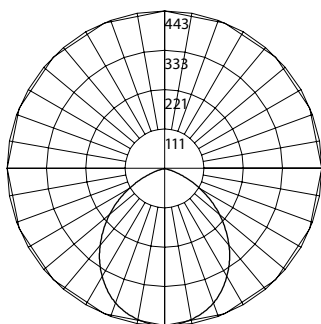
Date _____



Photometric Data

DQR5 2700K

Input Voltage (VAC)	120V
System Level Power (W)	15.9
Delivered Lumens (Lm)	999
System Efficacy (Lm/W)	62.9
Correlated Color Temp (K)	2689
Color Rendering Index (CRI)	92
Beam Angle	95°
Spacing Criteria	1.19



Intensity Summary (Candle Power)

Angle	Mean CP
0	443
5	440
15	420
25	380
35	320
45	246
55	167
65	89
75	26
85	4
90	0

CCT Data Multiplier

DQR5-10-120-3K	1.040
DQR5-10-120-4K	1.080

Cone of Light Tabulation

Mounted height (Feet)	Footcandles Beam Center	Diameter (Feet)
4	27.7	4.8
6	12.3	7.1
8	6.9	9.4
10	4.4	11.8
12	3.1	14.0
14	2.3	16.0
16	1.8	19.0

Zonal Lumen Summary

Zone	Lumens	% of Luminaire
0-30	335	33.5%
0-40	535	53.6%
0-60	875	87.6%
0-90	999	100.0%
90-180	0	0.0%
0-180	999	100.0%

Fixture tested per LM-79-08. Photometric data is of the performance of a representative fixture. Results may vary in the field.

Performance Data

Model Number	Lumens	Watts	Lumens/Watt
DQR5-10-120-2K	999	15.9	62.9
DQR5-10-120-3K	1039	15.9	65.5
DQR5-10-120-4K	1079	15.9	68.0

Recommended Dimmers*

Lutron DIVA DVELV-300P
Lutron DIVA DVELV-303P
Lutron Skylark SELV-300P

Housing Compatibility*

150006A 5" IC AIRTIGHT HOUSING
MOST STANDARD 5" RECESSED HOUSINGS

*Not a complete list. Check compatibility before installation.

Ordering Information

Example: DQR5-10-120-3K-WH-BF

Series	Version	Voltage	CCT's	Trim
DQR5	10 (v1.0)	120(120V)	2K (2700 K)	WH-BF (White Baffle)
			3K (3000 K)	BK-BF (Black Baffle)*
			4K (4000 K)	NK-BF (Nickel Baffle)*
				OB-BF (Oil-Rubbed Bronze Baffle)*

Specifications and dimensions subject to change without notice.

*Only available as special order. Contact NICOR for more info.

Accessories

accessories sold separately

GU24 Socket String

GU24-IDEAL-SKT-STR