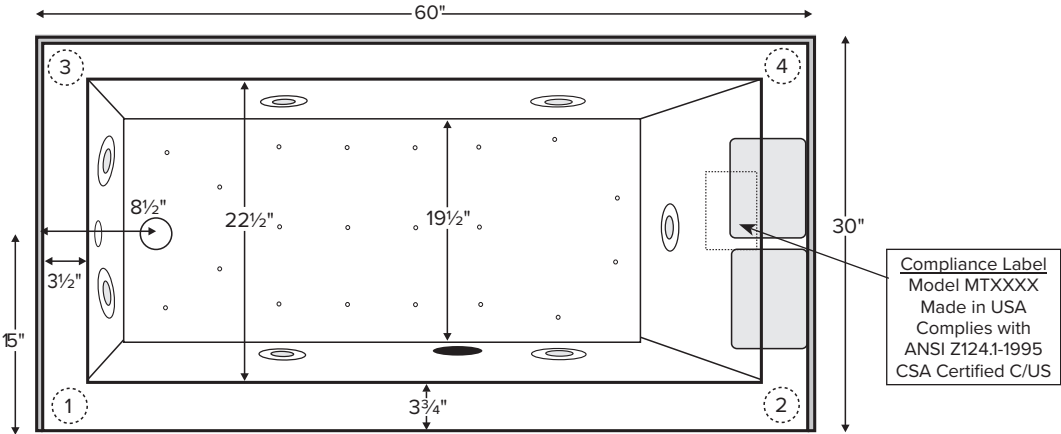


Cameron 2

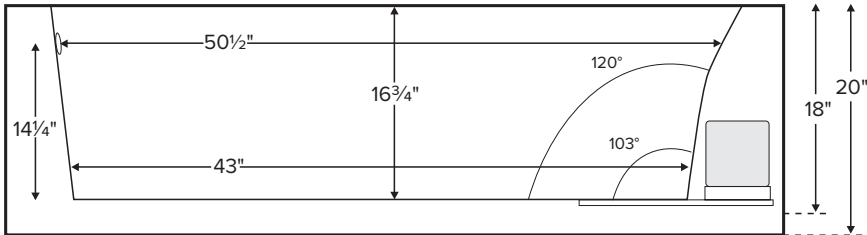


Features integral skirting and tile flange.

MODEL 152		
60" x 30" x 20"		
ALCOVE 55 gal to overflow		
<b>Acrylic CXL®</b>		<b>DoloMatte®</b>
105 lbs / 48 kg	<SOAKER>	118 lbs / 54 kg
130 lbs / 59 kg	<PLUMBED>	143 lbs / 65 kg
Filling this tub to the maximum may require an above average size or dedicated water heater.		



Numbered areas on tub deck represent possible locations to install cleaning systems, faucets and other fixtures. Shown with Air Massage and Ultra Whirlpool Package.



**IMPORTANT ORDERING & INSTALLATION INFORMATION**

- Before ordering or installing, please consider future access to equipment.
- Must specify left- or right-hand drain when ordering.
- Non-removable skirt provides no access to equipment. Must have end-access for servicing.
- Radiance placed on airbath floor will affect placement of air jets.
- **Use proper bedding compound to fully level and support the tub.**
- **Tubs equipped with an air system include a factory-installed pre-leveled foam base, negating the use of bedding compound when installed on a flat level subfloor.**
- System components may extend beyond the perimeter of deck.
- Advise MTI when planning to use a glass enclosure. Relocation of controls may be necessary.
- Suction and control locations may vary.
- All tubs are compliant with ASTM C 1028-07 coefficient of friction. DoloMatte meets ANSI A137.1/A326.3 coefficient of friction and AS HB198:2014 slip tests.

**ELECTRICAL COMPONENTS & SPECIFICATIONS**

Hydrotherapy Package	Components Included	GFCI / 110V
Standard Whirlpool	2-bhp pump	1-15 amp
Stream Bath	1/2-bhp, ozone	1-20 amp
Microbubbles	Microbubbles pump	1-15 amp
Ultra Whirlpool	2-bhp pump x 2, inline heater, ozone	2-20 amp
Air Massage	heated blower	1-15 amp
Air Massage Elite	heated blower, chromatherapy	1-15 amp
Air Massage w/ Stream Bath	1/2-bhp pump, heated blower, ozone	1-20 amp
Air Massage Elite w/ Stream Bath	1/2-bhp pump, heated blower, chromatherapy, ozone	1-20 amp

Hydrotherapy Package	Components Included	GFCI / 110V
Microbubbles with Air	Microbubbles pump, heated blower	1-20 amp
Microbubbles with Air Elite	Microbubbles pump, heated blower, chromatherapy	2-15 amp
Air with Whirlpool	2-bhp pump, heated blower	2-15 amp
Air with Ultra Whirlpool	2-bhp pump x 2, inline heater, heated blower, ozone	2-20 amp
Air Elite with Whirlpool	2-bhp pump, heated blower, chromatherapy	2-15 amp
Air Elite with Ultra Whirlpool	2-bhp pump x 2, inline heater, heated blower, chromatherapy, ozone	2-20 amp

See the Installation & Operation Manual for more details. MTI's Customer Service Monday-Friday 8am-6pm EST 800-783-8827 or service@mtibaths.com

- Before discarding tub crate, check for accessories that may be packaged inside.
- All product measurements are ±1/2".
- Specifications and configurations are subject to change without notice.
- Measurements herein supersede all others published prior to publication date below.



Cameron 2

MODEL 152

60" x 30" x 20"

Hydrotherapy Packages	Package Contents	Acrylic CXL®		DoloMatte®	
		Part #	MSRP	Part #	MSRP
Soaker	Soaking bath - no jets; features integral skirting (no front access), integral tile flange. <b>Note: Overall tub height can be reduced by 2" for soakers only. Must specify on order.</b>	S152	\$2,830	S152DM	\$3,415
Stream Bath	6 side vents, 2 end vents, 1/2 bhp pump, Ozone, integral skirting (no front access), integral tile flange	SM152	\$5,310	SM152DM	\$5,890
Microbubbles	1 microbubbles infusion port and pump, features integral skirting (no front access), integral tile flange	M152	\$6,065	M152DM	\$6,645
Air Massage	20 air jets, heated air blower, Aromatherapy, integral skirting (no front access), integral tile flange, pre-leveled foam base	AST152	\$6,385	AST152DM	\$6,965
Air Massage Elite	30 air jets, heated air blower, Aromatherapy, Chromotherapy LED lighting, Spa Mode, integral skirting (no front access), integral tile flange, pre-leveled foam base	AE152	\$8,230	AE152DM	\$8,815
Stream Bath with Air Massage	6 side vents, 2 end vents, 1/2 bhp pump, Ozone, 20 air jets, heated air blower, Aromatherapy, integral skirting (no front access), integral tile flange, pre-leveled foam base	ASTSM152	\$8,375	ASTSM152DM	\$8,955
Stream Bath with Air Massage Elite	6 side vents, 2 end vents, 1/2 bhp pump, Ozone, 30 air jets, heated air blower, Aromatherapy, Chromotherapy LED lighting, Spa Mode, integral skirting (no front access), integral tile flange, pre-leveled foam base	AESM152	\$10,415	AESM152DM	\$11,000
Microbubbles with Air Massage	1 microbubbles infusion port and pump, 20 air jets, heated air blower, Aromatherapy, integral skirting (no front access), integral tile flange, pre-leveled foam base	ASTM152	\$9,030	ASTM152DM	\$9,615
Microbubbles with Air Massage Elite	1 microbubbles infusion port and pump, 30 air jets, heated air blower, Aromatherapy, Chromotherapy LED lighting, Spa Mode, integral skirting (no front access), integral tile flange, pre-leveled foam base	AEM152	\$10,785	AEM152DM	\$11,365
Standard Whirlpool	5 point-massage jets, 2-bhp pump, integral skirting (no front access), integral tile flange	P152	\$5,135	P152DM	\$5,715
Ultra Whirlpool	7 point-massage jets, 2-bhp pump, inline heater, Ozone, integral skirting (no front access), integral tile flange	P152U	\$7,075	P152UDM	\$7,660
Air Massage with Standard Whirlpool	5 point-massage jets, 2-bhp pump, 20 air jets, heated air blower, Aromatherapy, integral skirting (no front access), integral tile flange, pre-leveled foam base	AW152	\$8,685	AW152DM	\$9,265
Air Massage with Ultra Whirlpool	7 point-massage jets, 2-bhp pump, inline heater, 20 air jets, heated air blower, Aromatherapy, Ozone, integral skirting (no front access), integral tile flange, pre-leveled foam base	AU152	\$10,625	AU152DM	\$11,210
Air Massage Elite with Standard Whirlpool	5 point-massage jets, 2-bhp pump, 30 air jets, heated air blower, Aromatherapy, Chromotherapy LED lighting, Spa Mode, integral skirting (no front access), integral tile flange, pre-leveled foam base	AEAP152	\$10,535	AEAP152DM	\$11,120
Air Massage Elite with Ultra Whirlpool	7 point-massage jets, 2-bhp pump, inline heater, 30 air jets, heated air blower, Aromatherapy, Chromotherapy LED lighting, Spa Mode, Ozone, integral skirting (no front access), integral tile flange, pre-leveled foam base	AEAP152U	\$11,605	AEAP152UDM	\$12,185

RECOMMENDED SENSORY THERAPIES

**Chromotherapy**

(LE) **\$880** underwater lighting  
2 LED lights included

**Audiotherapy**

(STEREOBT) **\$1,535** 2 transducers with bluetooth and amplifier  
(BTREMOTE) **\$660** bluetooth remote

(STEREOH202) **\$1,740** 4 transducers amplifier not included

**Thermaltherapy**

(RAD100) **\$1,760** Radiance®  
2 heated zones included  
(HTISOAK) **\$910**

For more information on options and accessories go to Acrylic Tub Options at mtibaths.com

<b>Options</b> <i>Must be ordered at time of purchase.</i>
<b>Standard Colors</b> White (CWH) DoloMatte available in matte white only. Biscuit (CBS) Not available for DoloMatte.
<b>Quick Ship</b> reduces lead time (QSPRI) <b>\$475</b> <i>Please call for availability</i>
<b>Inline Heater</b> maintains water temperature <b>For Soaker or Air Baths (HTISOAK) \$910</b> Includes a recirculating pump <i>Cannot be combined with Microbubbles.</i>
<b>Virtual Spout</b> high-flow integrated tub filler (FPMJ) <b>\$500</b> <i>Virtual Spout location is left of the overflow, unless otherwise specified on order.</i>
<b>Grab Bars</b> from <b>\$360</b> <i>Selections vary. Personalization available.</i>
<b>Textured Bottom (TXTBTM)</b> Acrylic CXL® only <b>\$115</b> DoloMatte® exceeds ANSI A137.1/A326.3 and AS HB198 slip tests.
<b>Accessories</b>
<b>Pillows</b> from <b>\$200</b>
<b>Teak Bath Mat (TKMAT3018) \$880</b> <i>Custom sizes also available. Contact MTI for details and pricing.</i>
<b>Teak Tub Tray</b> Slatted (TK-TRAY1) <b>\$540</b> Solid (TK-TRAY2) <b>\$615</b>

<b>Hydrotherapy Equipment &amp; Cleaning Systems</b> <i>Must be ordered at time of purchase.</i>
<b>Inline Heater</b> maintains water temperature <b>For Whirlpools or Stream Bath (HTI) \$630</b> Uses existing pump <i>Cannot be combined with Microbubbles.</i>
<b>Whirlpool Cleaning System</b> <b>Fill-Flush (FFSO) \$650</b> <i>Must specify stub-out location on order. See page 1 for location options.</i>
<b>Whirlpool Jets</b> Pump upgrade may be advisable for optimal performance when adding jets. <b>Point-Massage Jet</b> Extra Point-Massage Jet (EJ) <b>\$345</b> <b>Micro-Jet</b> from <b>\$400</b> <i>Jet styles and packages vary. Personalization available.</i>
<b>Pump Upgrade - 3-bhp (PUMP3) \$345</b>
<b>Jet Trim Kits</b> <b>For Standard Whirlpool</b> Chrome (TRC) <b>\$300</b> , Brushed Nickel (TRBN) <b>\$800</b> <b>For Ultra Whirlpool</b> Chrome (TRCU) <b>\$410</b> , Brushed Nickel (TRBNU) <b>\$1,060</b>
<b>Ozonator (OZONE) \$565</b> <i>Cannot be added to soakers or airbaths without combination hydrotherapy package or HTISOAK.</i>

**Installation Options** *Must be ordered at time of purchase.*

**Pre-Leveled Foam Base (PLFOAM) \$325**  
All airbaths include a pre-leveled foam base.

**Drains & Overflow Kits** *Toe Tap Rectangular Overflow must be ordered at time of purchase*

<b>Cable Driven</b> <b>Drain Finishes – PVC Drain Kit</b> White/Biscuit (WOCDW) <b>\$485</b> Chrome (WOC) <b>\$450</b> Brushed Nickel (WOCDBN) <b>\$540</b> Polished Nickel (WOCDPN) <b>\$595</b> Oil-Rubbed Bronze+ (WOCBOR) <b>\$610</b> Polished Brass (WOCDBR) <b>\$760</b> Special Finishes* (WOCDSF) <b>\$1,250</b> <i>MTI does not offer a brass body cable drain kit.</i>	<b>Toe Tap</b> <b>Round Overflow – PVC Drain Kit</b> Chrome (WOTTC) <b>\$420</b> Brushed Nickel (WOTTBN) <b>\$425</b> Polished Nickel (WOTTPN) <b>\$425</b> Special Finishes* (WOTTSF) <b>\$1,260</b> <b>Round Overflow – Solid Brass Drain</b> Chrome (WOTTSBC) <b>\$895</b> Brushed Nickel (WOTTSBBN) <b>\$895</b> Polished Nickel (WOTTSBPN) <b>\$895</b>	<b>Toe Tap</b> <b>Rectangular Overflow – PVC Drain Kit</b> Chrome (WOTRC) <b>\$520</b> Brushed Nickel (WOTRBN) <b>\$475</b> White (WOTRW) <b>\$580</b> <b>Lift &amp; Turn</b> <b>Drain Finishes – PVC Drain Kit</b> Chrome (WOC) <b>\$205</b> White (WOW) <b>\$270</b> Brushed Nickel (WOBN) <b>\$335</b>
--	---	--

<b>Slim-Line Overflow with Toe Tap Drain</b> <i>Must be ordered at time of purchase.</i> • Low profile overflow is factory installed • Overflow measures 4.5" x 1" • Provides a deeper soak • Not available for commercial applications	<b>Slim-Line Overflow with Toe Tap Drain</b> PVC Drain Chrome (SLOT) <b>\$550</b> Brushed Nickel (SLOTBN) <b>\$585</b> Polished Nickel (SLOTPN) <b>\$615</b> White (SLOTW) <b>\$475</b>	<b>Slim-Line Overflow with Toe Tap Drain</b> Solid Brass Drain Chrome (SLOTSBC) <b>\$1,025</b> Brushed Nickel (SLOTSBBN) <b>\$1,030</b> Polished Nickel (SLOTSBPN) <b>\$1,030</b> White (SLOTSBW) <b>\$1,065</b>
---	--	---

\* MTI has selected an oil-rubbed bronze finish that is compatible with Delta and many other manufacturers. To ensure best match, order as a Special Finish and submit a sample.

\* Allow 2-4 weeks lead time for Special Finishes. Send sample for best match.