



Manufactured by:
Backyard Discovery
3305 Airport Drive, Pittsburg, KS 66762
800-856-4445

Basepoint Business Centre: Rivermead Drive, Westlea, Swindon SN5 7EX Phone: 0800-118-2476 J.P. Coenstraat 7, The Bridge, The Hague, 2595 WP, Netherlands Phone: 08005678990

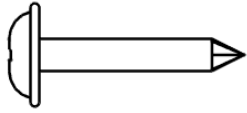
12x10 BARRINGTON MOSQUITO MESH KIT MODEL # : 9230187



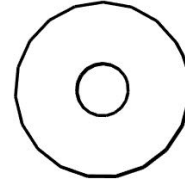
Please visit www.backyarddiscovery.com
For the most up to date assembly manual, to register your product, or to order
replacement parts *Para obtener instrucciones en español, visite*
www.backyarddiscovery.com

OWNER'S MANUAL - PARTS IDENTIFICATION

HARDWARE COMPONENTS (NOT TO SCALE)

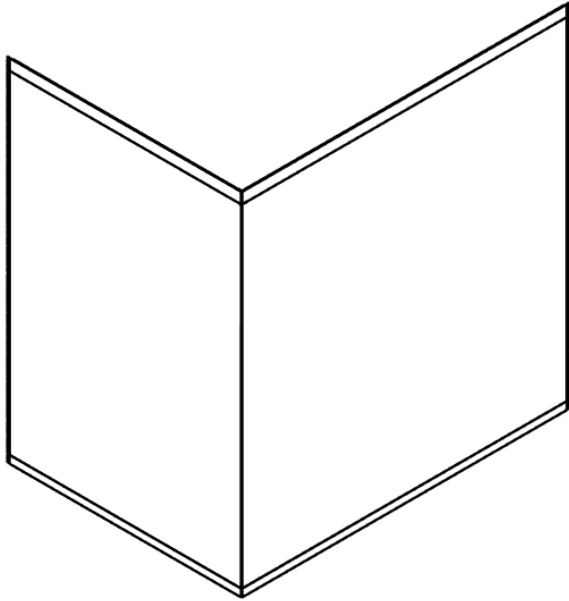


H100392 SCREW PWH BLK
(x108) #8x3/4

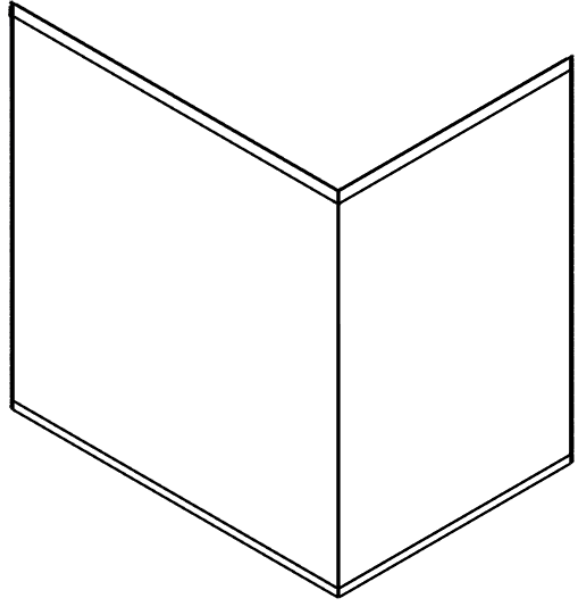


H100478 WASHER BLK
(x8) 8x27

ACCESSORY COMPONENTS (NOT TO SIZE)



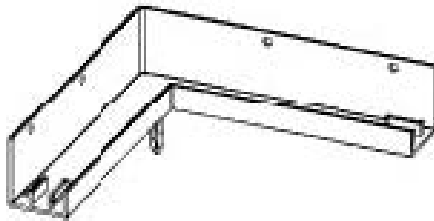
A6P00731 MESH PANEL
(x2)



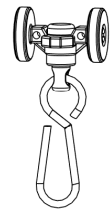
A6P00889 MESH PANEL
(x2)



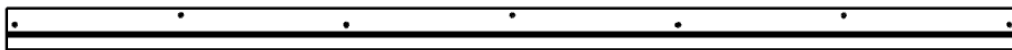
A6P00752 MESH PANEL TIE
(x4)



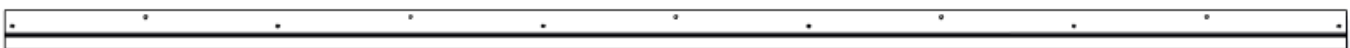
A6P00720 CORNER CAP
(x4)



A6P00535 MESH PANEL HOOK
(x72)



A6P00717 MESH PANEL TRACK
(x4)



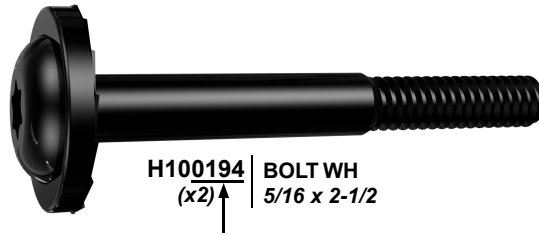
A6P00721 MESH PANEL TRACK
(x4)

PRE-ASSEMBLY STEP 1 - SORTING PARTS

It is critical for ease of assembly that you take the time to sort and organize the parts and hardware.

HARDWARE PARTS:

- We recommend that you have a separate table to organize the hardware.
- Hardware bags are printed with a seven-digit, alpha-numeric part number.
- You can organize your hardware by part number or group by hardware type (i.e. bolts, nuts, etc.).
- During assembly you only need to reference the last four digits of the number.



TOOLS REQUIRED:



Cordless Drill or
Electric Drill



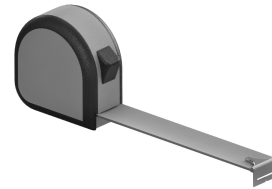
Drill Attachments:
Phillips Head



1/8" & 3/8" Drill
Bits



Phillips Screw Driver



Tape Measure

STEP 1 - TIES

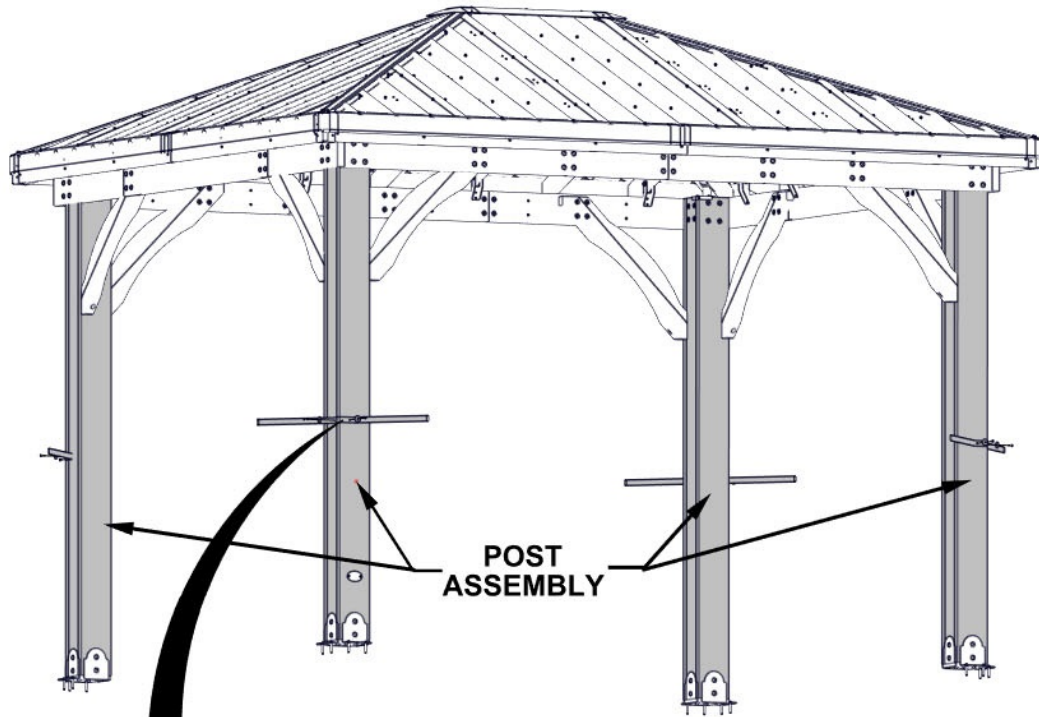
Qty	PART NUMBER	DESCRIPTION
8	H100478	WASHER FLAT 8X27 BLK
8	H100392	SCREW PWH 8 X 3/4 BLK



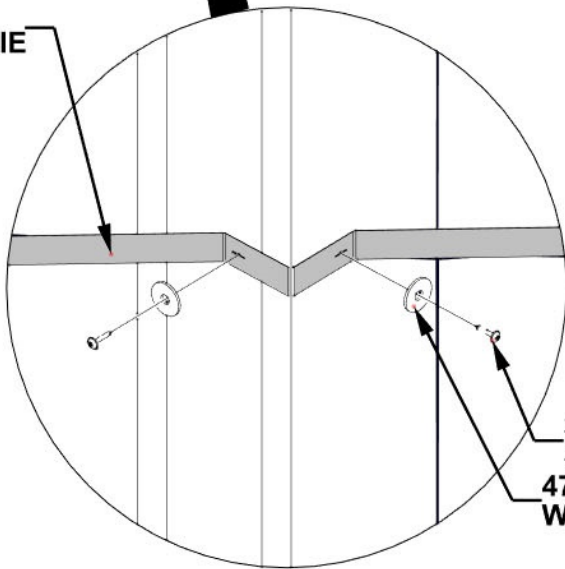
A6P00752 MESH PANEL TIE
(x4)

NOTES:

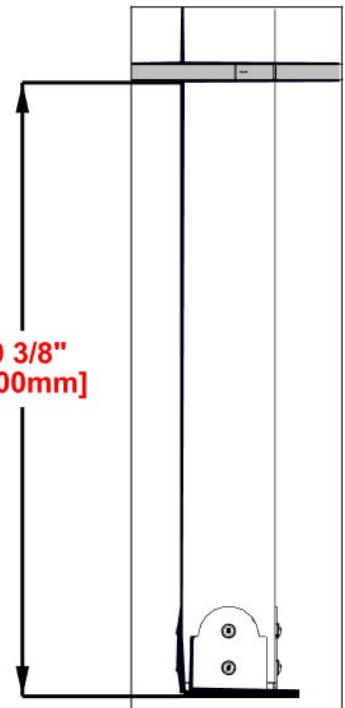
- ATTACH EACH MESH PANEL TIE TO THE POST ASSEMBLY AS SHOWN BELOW.



0752 (x4)
MESH PANEL TIE



392 (x8)
SCREW - 3/4"
478 (x8)
WASHER - 8x27



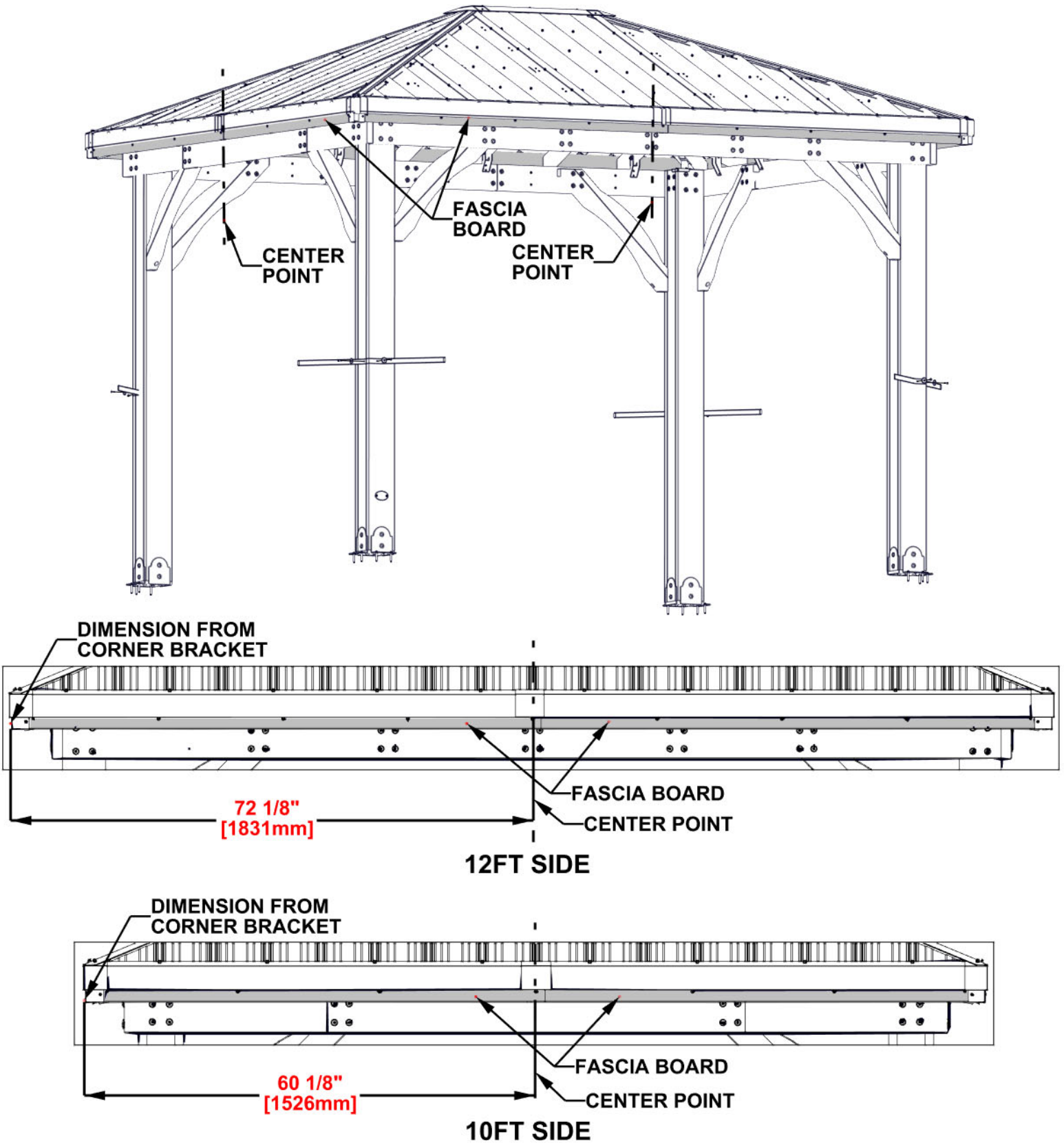
39 3/8"
[1000mm]

STEP 2 - MEASURE

NOTES:

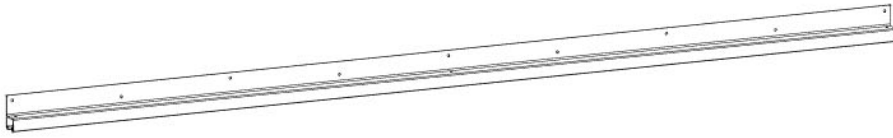
EXTRA PEOPLE ARE HELPFUL FOR THIS STEP.

- MEASURE & MARK CENTER ON ALL FOUR SIDES OF FASCIA BOARD.

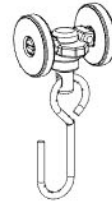


STEP 3 - TRACKS 12FT SIDE

Qty	PART NUMBER	DESCRIPTION
48	H100392	SCREW PWH 8 X 3/4 BLK



A6P00721 MESH PANEL TRACK
(x4)

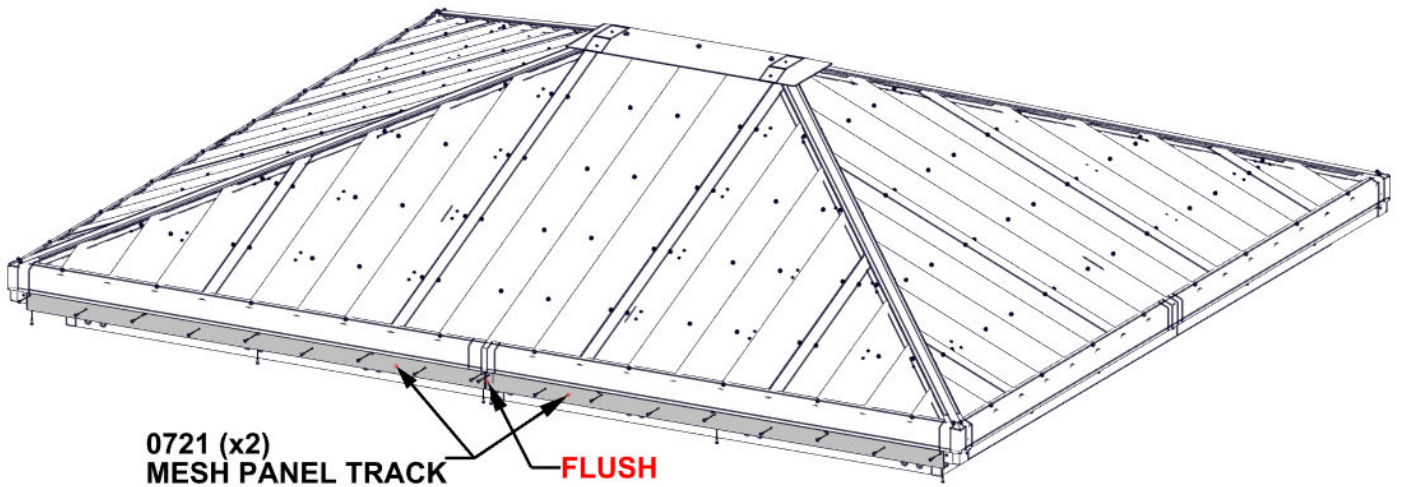


A6P00535 MESH PANEL HOOK
(x40)

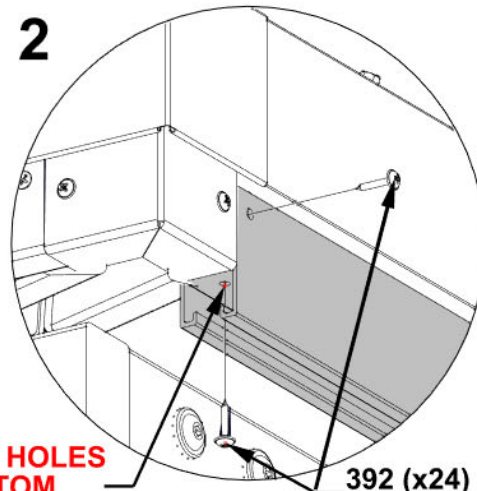
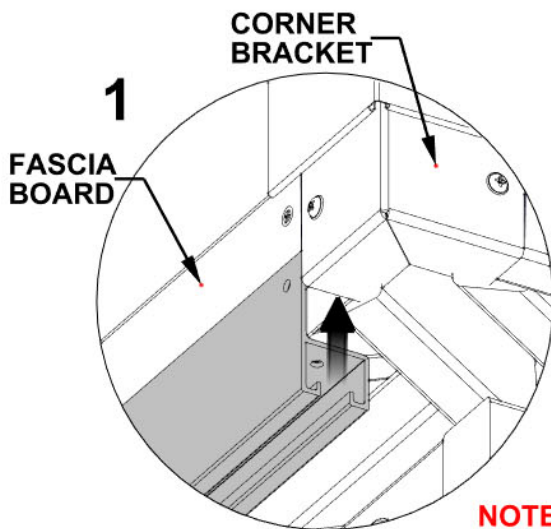
NOTES:

EXTRA PEOPLE ARE HELPFUL FOR THIS STEP.

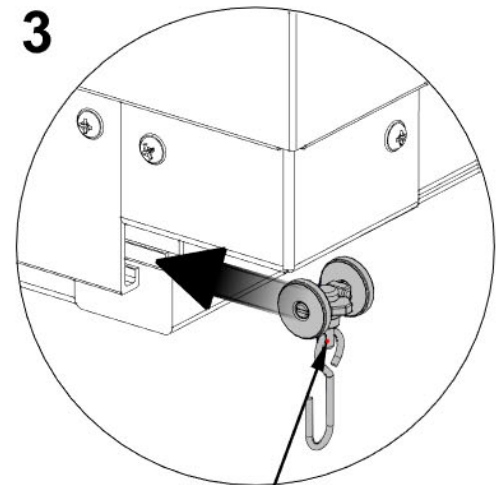
1. BEGINNING AT THE CENTER POINT, MOUNT ONE (0721) TRACK SO IT IS FULLY SEATED AGAINST THE BOTTOM OF THE FASCIA BOARD (IMAGE 1).
2. ATTACH AS SHOWN (IMAGE 2). **NOTE: TRACKS SHOULD BE FLUSH IN THE CENTER.**
3. INSERT 10 HOOKS AS SHOWN (IMAGE 3). NOTE - 20 HOOKS PER 12FT SIDE.
4. REPEAT STEPS 1-3 FOR THE SECOND TRACK.
5. REPEAT ALL STEPS FOR THE OPPOSITE 12FT SIDE.



POST ASSEMBLIES NOT SHOWN FOR THIS STEP



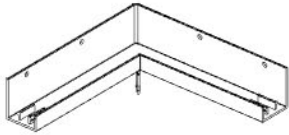
NOTE 3 HOLES IN BOTTOM OF TRACKS



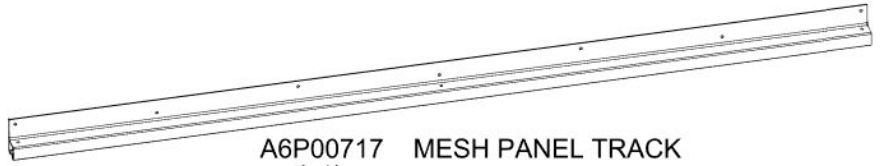
0535 (x20)
MESH PANEL HOOK

STEP 4A - TRACKS 10FT SIDE

Qty	PART NUMBER	DESCRIPTION
13	H100392	SCREW PWH 8 X 3/4 BLK



A6P00720 CORNER CAP
(x1)

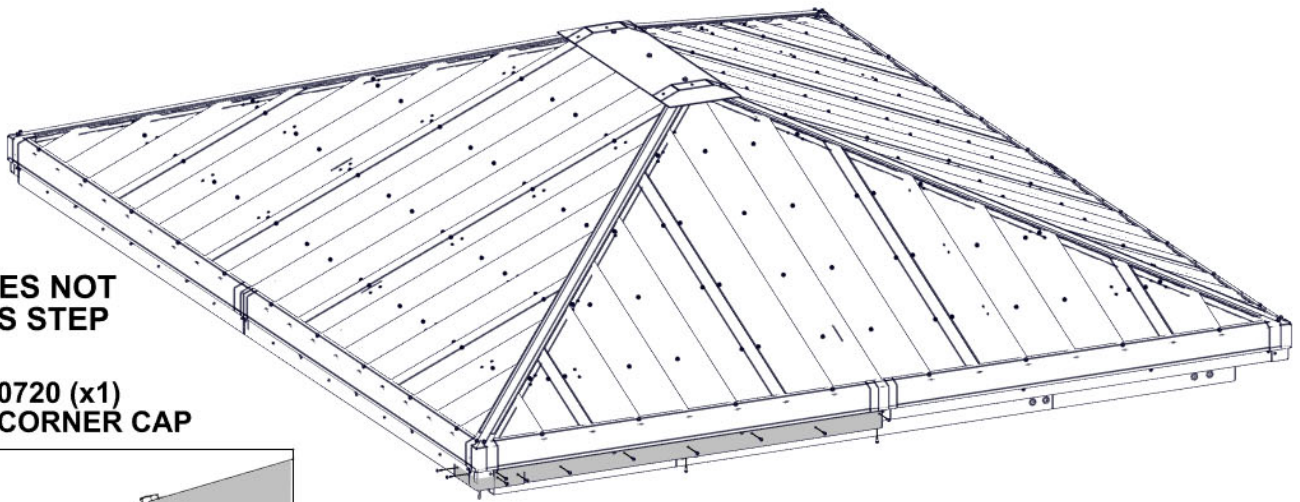


A6P00717 MESH PANEL TRACK
(x1)

NOTES:

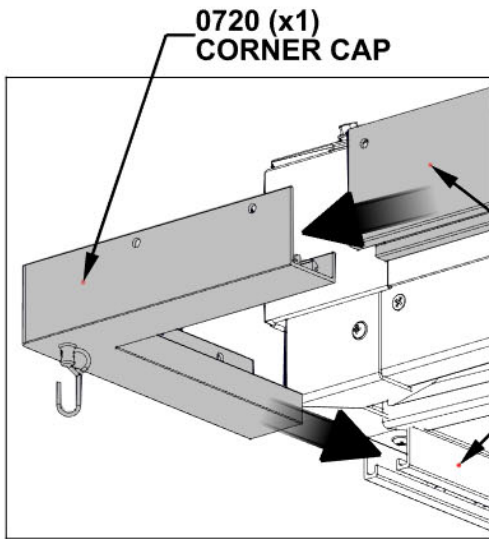
EXTRA PEOPLE ARE HELPFUL FOR THIS STEP.

1. BEFORE PLACING THE TRACK, SLIDE ONE 0717 TRACK INTO THE 0720 CORNER CAP TO CREATE ONE PIECE (IMAGE 1).
2. MOUNT CORNER CAP & TRACK COMBINATION SO IT IS FULLY SEATED AGAINST THE BOTTOM OF THE FASCIA BOARD.
3. SLIDE THE OTHER SIDE OF THE CORNER CAP ONTO THE 12FT TRACK (0721) (IMAGE 1).
4. ADJUST CORNER CAP AS NEEDED TO ENSURE THE OTHER END OF THE TRACK IS AT THE CENTER POINT. SECURE TRACK AS SHOWN (IMAGE 2). INSERT CORNER CAP SCREWS LAST (IMAGE 3).



POST ASSEMBLIES NOT SHOWN FOR THIS STEP

1

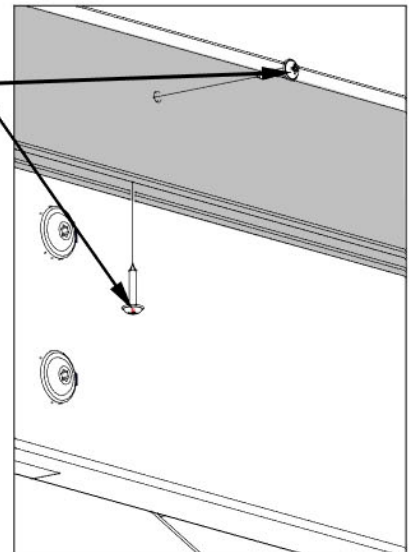


0720 (x1)
CORNER CAP

0717 (x1)
MESH PANEL TRACK

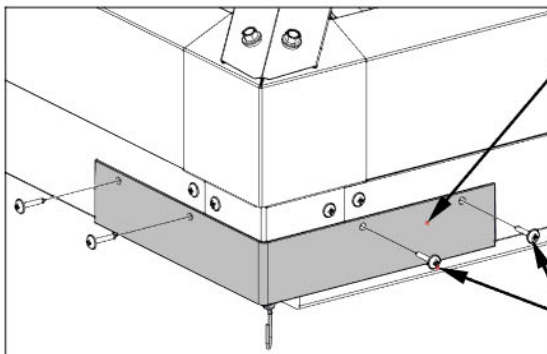
0721
MESH PANEL TRACK

2



392 (x9)
SCREW - 3/4"

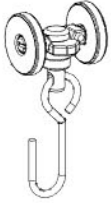
3



0720 (x1)
CORNER CAP

392 (x4)
SCREW - 3/4"

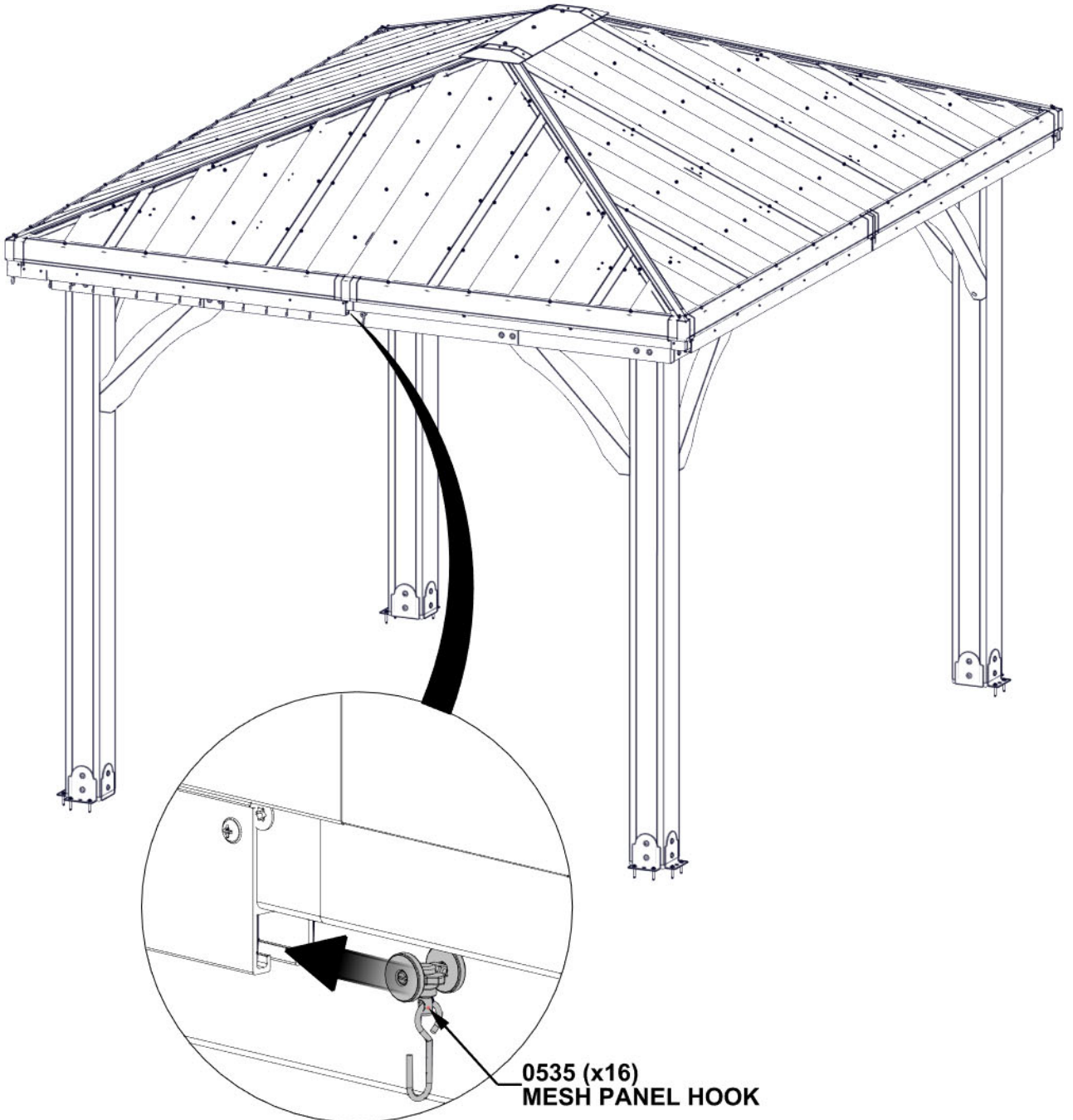
STEP 4B - TRACKS 10FT SIDE



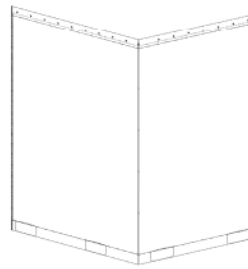
A6P00535 MESH PANEL HOOK
(x16)

NOTES:

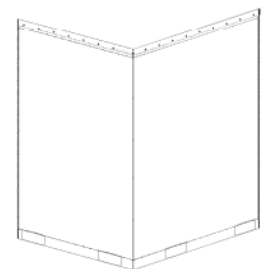
1. INSERT 16 HOOKS INTO THE TRACK. **NOTE: INSERT HOOKS BEFORE ATTACHING SECOND TRACK.**
2. REPEAT STEP 4A FOR SECOND 0717 TRACK & 0720 CORNER CAP.
3. AFTER TRACKS ARE ATTACHED, SPACE HOOKS EVENLY. (8 PER TRACK)
4. REPEAT STEPS 4A AND 4B FOR OPPOSITE 10 FT SIDE.



STEP 5 - MESH PANEL



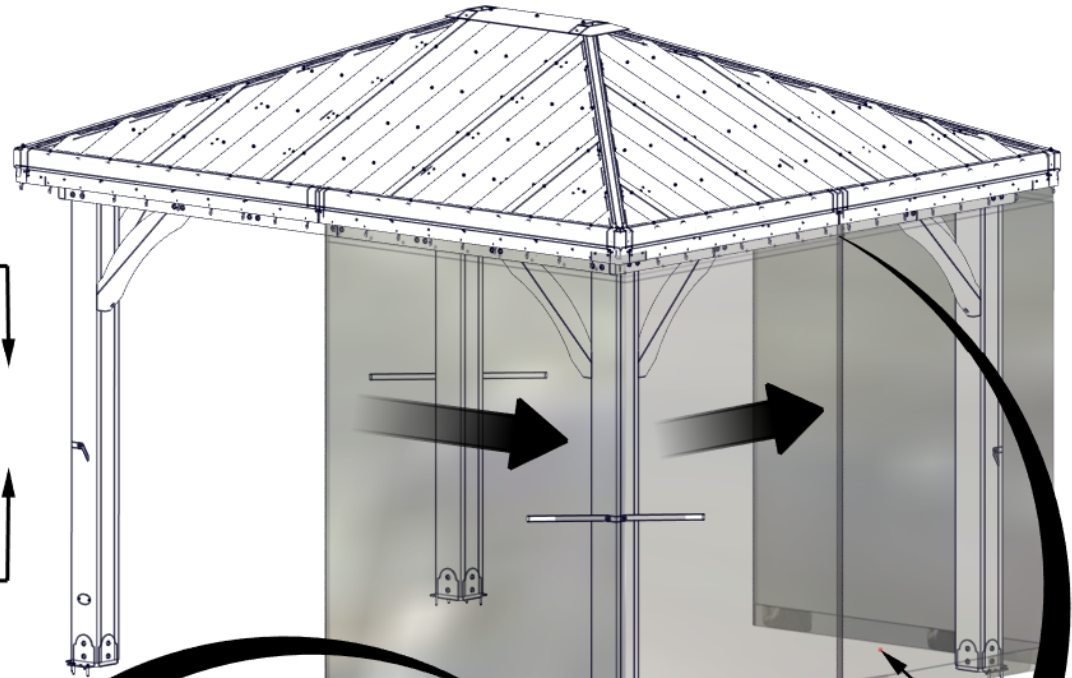
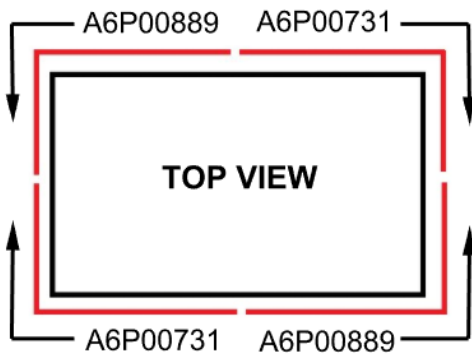
A6P00889 MESH PANEL
(x2)



A6P00731 MESH PANEL
(x2)

NOTES:

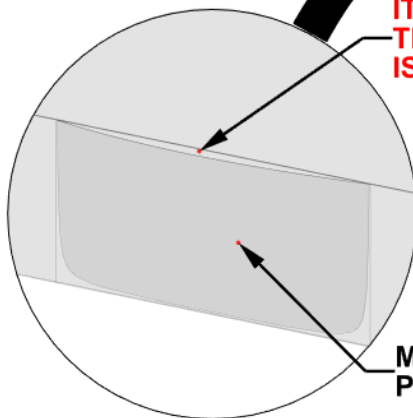
1. EACH PANEL GOES AROUND THE OUTSIDE OF THE POSTS AND COVERS ONE HALF OF THE 12FT SIDE AND ONE HALF OF THE 10FT SIDE.
PAY CAREFUL ATTENTION TO THE MESH PANEL PART NUMBERS AS YOU WILL ALTERNATE THEM WHEN HANGING (SEE IMAGE BELOW).
2. THE POCKETS AT THE BOTTOM OF THE PANELS SHOULD BE FACING THE INSIDE OF THE GAZEBO.
ZIPPER WILL NOT ALIGN IF PANELS ARE FACING THE WRONG DIRECTION.
3. BEGIN HANGING MESH PANEL A6P00889 AT THE CENTER OF THE 12FT SIDE (USING 9 HOOKS). CONTINUE AROUND THE POST TO THE 10FT SIDE (USING 7 HOOKS).
DO NOT ATTACH CORNER HOOK AT THIS TIME.
4. REPEAT USING THE A6P00731 PANEL ON THE SECOND HALF OF THE 10FT SIDE.
5. REPEAT STEPS 3 & 4.
6. **AFTER ALL PANELS ARE HUNG, ZIP TOGETHER AND ATTACH CORNER HOOKS INTO SLOT THAT BEST ALIGNS WITH THE HOOK.**



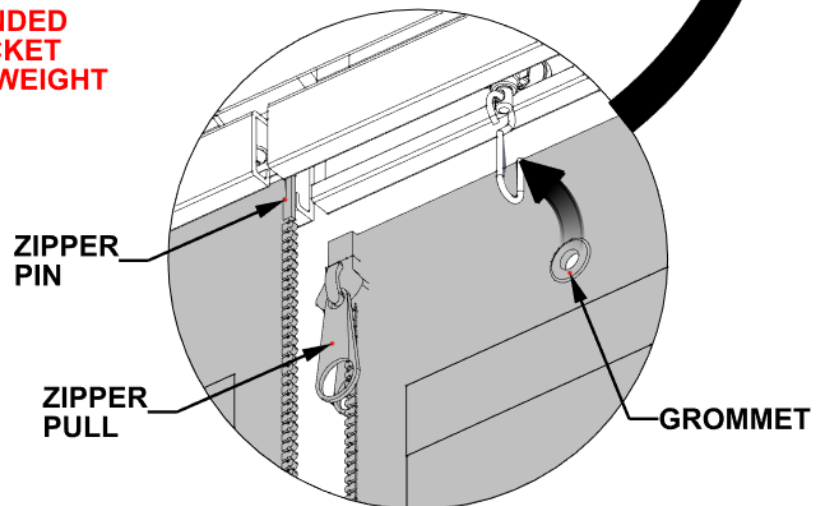
A6P00889 (x2)
MESH PANEL

A6P00731 (x2)
MESH PANEL

IT IS RECOMMENDED THAT EACH POCKET IS FILLED WITH WEIGHT



MESH PANEL POCKET



ZIPPER PIN

ZIPPER PULL

GROMMET