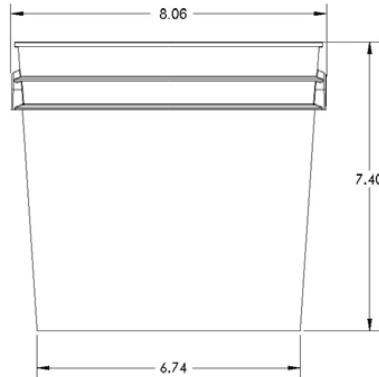


# 1 Gallon Heavy Duty Round Container

## Features

- Heavy duty one gallon
- Reinforcing ribs to maintain container shape
- Tapered design provides for container nesting
- 6 color offset print capability
- Metal handle with grip



**PRODUCT CODE**.....1K TO1G80W

**COMPATIBLE LID**..... 1L LO1GGCT (GCTU)

## SPECIFICATIONS

Height.....7.40"  
 Outer Diameter.....8.06"  
 Thickness.....80mil  
 Print Area.....20.75" x 3.50"  
 Resin.....HDPE

## VOLUME

Practical Fill.....1.15 gal. / 4.35 liters  
 Overflow.....1.22 gal. / 4.62 liters

## PACKAGING

Pack Count.....600  
 Pack Dimensions.....47.9" x 38.6" x 40.6"  
 Cubic Feet.....43.4  
 Packs per Pallet.....2

## ORDER QUANTITIES (53' Truckload)

1K & 1L ..... 25,200 bases & lids

Rev. 12/10/19

DISTRIBUTED BY:



REF NO.:

DWG30202

DESCRIPTION:

1 Gallon HDPE OH Pail with metal handle

## DISCLAIMER

THIS INFORMATION IS PROVIDED AS A GENERAL GUIDE, INCLUDING DIMENSIONS. IT IS THE CUSTOMER'S RESPONSIBILITIES TO SELECT THE PROPER CONTAINER FOR PRODUCT AND APPLICATION COMPATIBILITY.