

# LSC Select

## Selectable CCT & Output LED Linear Strip

### Product Description

The LSC Select LED Linear Strip adds on to our tried-and-true linear strip with selectable CCT and light output options, delivering optimal performance and long life in a slim design that's ideal for general ambient lighting in retail, warehouse, residential utility, and light commercial or industrial applications. This versatile fixture is easy to surface mount on both ceilings and walls and can accommodate end-to-end runs. The LSC features a semi-circular, milky-white lens that offers a more polished aesthetic while eliminating hotspots, and is an economical, energy-efficient lighting alternative to single lamp fluorescent strips and some wraparound fixtures. For even greater energy savings, an optional microwave occupancy sensor is also available.

#### Construction

- Durable 20 gauge steel construction
- Smooth formed sides for safe handling
- Similar form factor to single lamp fluorescent strip

#### Optical System

- Semi-circular, milky-white diffuser eliminates hotspots and pixelation
- Lens retention method securely holds diffuser in ceiling or wall mount

#### Electrical

- Input voltage of 120-277VAC
- CCT selectable at 3500K, 4000K, or 5000K
- Lumen output selectable on 4' model only;
- Full-range dimming from 1 - 10VDC
- Power factor > 0.9
- THD < 20%
- Through wiring capable for end to end runs
- Operating temperature rating of 0°F to 120°F (-18°C to 40°C)

#### Controls

- Optional occupancy sensor kit available
- NLC (Network Lighting Controls) option available
- Bluetooth Low Energy (BLE) mesh network providing Luminaire Level Lighting Control
- Luminaire integrated 12V socket (optional) allows for field installed BLE PIR/Daylight sensor with adjustable arm (N2) (shipped with luminaire).
- Configurable with the NICOR NLC app available on iOS and Android devices
- Provides full dimming control with occupancy and daylight harvesting functions

#### Mounting and installation

- Easy surface mount installation on ceilings or walls
- Safety strap-retained LED array allows single person installation
- Multiple knockouts provided for wiring from back or ends
- Features provided for surface, cable, hook and chain, or pendant mount
- Cover plates provided for 4/O box surface installation
- External switches allow for easy CCT and wattage selection
- For installations where power surge may be possible, NICOR recommends installing additional surge protection at the fixture or electrical distribution panel

#### Listings

- TM-21 Reported L70(9k) life >54,000 hours
- LM-79, LM-80 testing performed in accordance with IESNA standards

#### Warranty

- 5-year limited system warranty standard
- Warranty does not cover product failure due to an overvoltage event (power surge)

Project

Catalog

Type

Date



Optional Motion Sensor



# Ordering

| Ordering Information |         |                         |              |                   | Example: LSCS14U |
|----------------------|---------|-------------------------|--------------|-------------------|------------------|
| Series               | Version | Size                    | Voltage      | Controls          | Emergency        |
| LSCS                 | 1       | 2 (2 Foot) <sup>1</sup> | U (120-277V) | (Blank)           | (Blank)          |
|                      |         | 4 (4 Foot)              |              | M (Sensor)        | EM8              |
|                      |         | 8 (8 Foot)              |              | N2 (NLC Controls) | EM16             |

<sup>1</sup>. 2 foot size is not available with any emergency option.  
Specifications and dimensions subject to change without notice.

| Accessories            |                   | Accessories sold separately |
|------------------------|-------------------|-----------------------------|
| Continuous Run Bracket | LSC-10-CR-BRACKET |                             |
| Pendant Mount Kit      | LSCS1PENDANTKIT   |                             |

**NLC Controls**  
See [www.nicorlighting/network-lighting-controls](http://www.nicorlighting/network-lighting-controls) for more information and NLC Component Data Sheets

## Performance Data

| Performance Data |             |                 |                   |                |                 |
|------------------|-------------|-----------------|-------------------|----------------|-----------------|
| Model Number     | Nominal CCT | Nominal Wattage | Light Output (Lm) | Power Draw (W) | Efficacy (Lm/W) |
| LSCS12U          | 3500K       | 20W             | 2528              | 19.0           | 133.1           |
|                  | 4000K       | 20W             | 2676              | 18.5           | 144.8           |
|                  | 5000K       | 20W             | 2562              | 19.0           | 134.6           |
| LSCS14U          | 3500K       | 22W             | 3302              | 22.7           | 145.5           |
|                  | 4000K       | 22W             | 3758              | 23.3           | 161.3           |
|                  | 5000K       | 22W             | 3366              | 23.8           | 141.4           |
|                  | 3500K       | 28W             | 4141              | 29.4           | 140.8           |
|                  | 4000K       | 28W             | 4714              | 30.2           | 156.0           |
|                  | 5000K       | 28W             | 4221              | 29.6           | 142.7           |
| LSCS18U          | 3500K       | 40W             | 5131              | 38.7           | 132.7           |
|                  | 4000K       | 40W             | 5841              | 39.7           | 147.1           |
|                  | 5000K       | 40W             | 5231              | 38.9           | 134.6           |
|                  | 3500K       | 65W             | 8082              | 59.7           | 135.4           |
| LSCS18U          | 4000K       | 65W             | 9200              | 61.3           | 150.1           |
|                  | 5000K       | 65W             | 8239              | 60.0           | 137.3           |

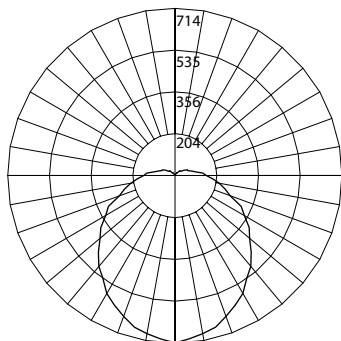
| Recommended Dimmers* |
|----------------------|
| Lutron NTSTV-DV-WH   |
| Lutron DVSTV         |
| Cooper SF10P         |
| Legrand RH4FBL3PW    |

\*Not a complete list. Check compatibility before installation.

## Photometric Data

### LSCS 2' 3500K

|                             |         |
|-----------------------------|---------|
| Input Voltage (VAC)         | 120-277 |
| System Level Power (W)      | 19      |
| Delivered Lumens (Lm)       | 2528    |
| System Efficacy (Lm/W)      | 133.1   |
| Correlated Color Temp (K)   | 3399    |
| Color Rendering Index (CRI) | 81      |
| Beam Angle (0)              | 132.3   |
| Beam Angle (90)             | 100.2   |
| Spacing Criteria (0)        | 1.2     |
| Spacing Criteria (90)       | 1.4     |



| Intensity Summary (Candela Power) |         |
|-----------------------------------|---------|
| Angle                             | Mean CP |
| 0                                 | 712     |
| 10                                | 697     |
| 20                                | 650     |
| 30                                | 576     |
| 40                                | 483     |
| 50                                | 381     |
| 60                                | 281     |
| 70                                | 189     |
| 80                                | 112     |
| 90                                | 62      |

| CCT Data Multiplier |       |
|---------------------|-------|
| 3500K               | 1.000 |
| 4000K               | 1.044 |
| 5000K               | 1.013 |

| Cone of Light Tabulation |                         |                 |
|--------------------------|-------------------------|-----------------|
| Mounted height (Feet)    | Footcandles Beam Center | Diameter (Feet) |
| 8                        | 11.1                    | 9.4             |
| 10                       | 7.2                     | 11.7            |
| 12                       | 5.0                     | 14.0            |
| 16                       | 2.8                     | 19.0            |

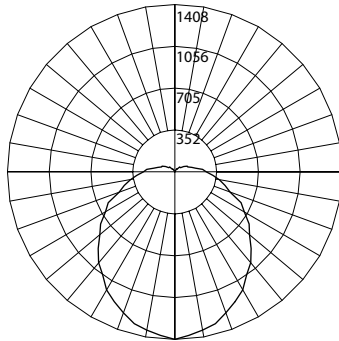
| Zonal Lumen Summary |        |                |
|---------------------|--------|----------------|
| Zone                | Lumens | % of Luminaire |
| 0-30                | 548    | 21.7%          |
| 0-40                | 894    | 35.4%          |
| 0-60                | 1587   | 62.8%          |
| 0-90                | 2228   | 88.1%          |
| 90-180              | 300    | 11.9%          |
| 0-180               | 2528   | 100%           |

Fixture tested per LM-79-08. Photometric data is of the performance of a representative fixture. Results may vary in the field.

## Photometric Data

### LSCS 4' 3500K

|                             |         |
|-----------------------------|---------|
| Input Voltage (VAC)         | 120-277 |
| System Level Power (W)      | 38.67   |
| Delivered Lumens (Lm)       | 5131    |
| System Efficacy (Lm/W)      | 132.7   |
| Correlated Color Temp (K)   | 3407    |
| Color Rendering Index (CRI) | 81      |
| Beam Angle (0)              | 135.4   |
| Beam Angle (90)             | 101.4   |
| Spacing Criteria (0)        | 1.2     |
| Spacing Criteria (90)       | 1.3     |



#### Intensity Summary (Candela Power)

| Angle | Mean CP |
|-------|---------|
| 0     | 1407    |
| 10    | 1370    |
| 20    | 1272    |
| 30    | 1122    |
| 40    | 942     |
| 50    | 744     |
| 60    | 547     |
| 70    | 365     |
| 80    | 216     |
| 90    | 113     |

#### CCT & Power Data Multiplier

|       | 22W   | 28W   | 40W   |
|-------|-------|-------|-------|
| 3500K | 0.644 | 0.807 | 1.000 |
| 4000K | 0.732 | 0.919 | 1.138 |
| 5000K | 0.656 | 0.823 | 1.019 |

#### Cone of Light Tabulation

| Mounted height (Feet) | Footcandles Beam Center | Diameter (Feet) |
|-----------------------|-------------------------|-----------------|
| 8                     | 21.8                    | 9.5             |
| 10                    | 13.9                    | 11.9            |
| 12                    | 8.8                     | 15.3            |
| 16                    | 5.4                     | 19.0            |

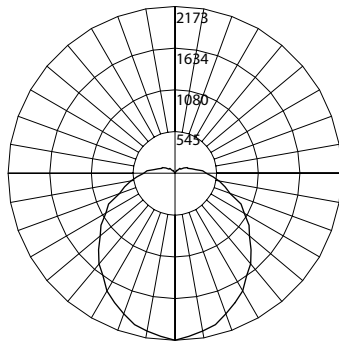
#### Zonal Lumen Summary

| Zone   | Lumens | % of Luminaire |
|--------|--------|----------------|
| 0-30   | 1085   | 21.1%          |
| 0-40   | 1773   | 34.6%          |
| 0-60   | 3166   | 61.7%          |
| 0-90   | 4485   | 87.4%          |
| 90-180 | 0      | 12.6%          |
| 0-180  | 5131   | 100%           |

Fixture tested per LM-79-08. Photometric data is of the performance of a representative fixture. Results may vary in the field.

### LSCS 8' 3500K

|                             |         |
|-----------------------------|---------|
| Input Voltage (VAC)         | 120-277 |
| System Level Power (W)      | 59.7    |
| Delivered Lumens (Lm)       | 8082    |
| System Efficacy (Lm/W)      | 135.4   |
| Correlated Color Temp (K)   | 3411    |
| Color Rendering Index (CRI) | 81      |
| Beam Angle (0)              | 138.8   |
| Beam Angle (90)             | 104.9   |
| Spacing Criteria (0)        | 1.2     |
| Spacing Criteria (90)       | 1.3     |



#### Intensity Summary (Candela Power)

| Angle | Mean CP |
|-------|---------|
| 0     | 2179    |
| 10    | 2141    |
| 20    | 2011    |
| 30    | 1804    |
| 40    | 1541    |
| 50    | 1241    |
| 60    | 924     |
| 70    | 609     |
| 80    | 338     |
| 90    | 153     |

#### CCT & Power Data Multiplier

|       |       |
|-------|-------|
| 3500K | 1.000 |
| 4000K | 1.138 |
| 5000K | 1.019 |

#### Cone of Light Tabulation

| Mounted height (Feet) | Footcandles Beam Center | Diameter (Feet) |
|-----------------------|-------------------------|-----------------|
| 8                     | 34.1                    | 9.7             |
| 10                    | 21.6                    | 12.2            |
| 12                    | 15.1                    | 14.6            |
| 16                    | 8.5                     | 19.4            |

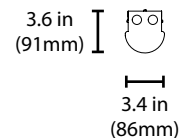
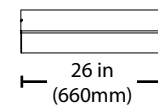
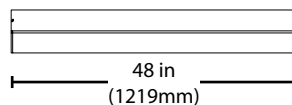
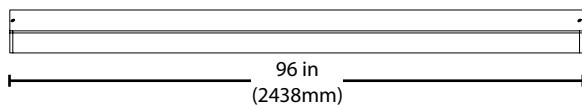
#### Zonal Lumen Summary

| Zone   | Lumens | % of Luminaire |
|--------|--------|----------------|
| 0-30   | 1690   | 25%            |
| 0-40   | 2775   | 40%            |
| 0-60   | 5007   | 69%            |
| 0-90   | 7166   | 93%            |
| 90-180 | 915    | 7%             |
| 0-180  | 8082   | 100%           |

Fixture tested per LM-79-08. Photometric data is of the performance of a representative fixture. Results may vary in the field.

## Dimensions

Standard motion sensor adds 1.5" to one end of the fixture



This device complies with part 15 of the FCC Rules. Operation is subject to the following two conditions: (1) This device may not cause harmful interference, and (2) this device must accept any interference received, including interference that may cause undesired operation.

NOTE: This equipment has been tested and found to comply with the limits for a Class A digital device, pursuant to part 15 of the FCC Rules. These limits are designed to provide reasonable protection against harmful interference when the equipment is operated in a commercial environment. This equipment generates, uses, and can radiate radio frequency energy and, if not installed and used in accordance with the instruction manual, may cause harmful interference to radio communications. Operation of this equipment in a residential area is likely to cause harmful interference in which case the user will be required to correct the interference at his own expense.