

Location:



Dual Outlet Diverter Valve 53-2DIV Specification Submittal



Model Numbers

- 53-2DIV Diverter valve and trim
- 53-DIV-TRM Trim only, valve body ordered separately

Finish Options / Modifications

Append appropriate -suffix to model number

- BLK Polished graphite
- STN Satin nickel
- CG** -NS Non-shared diverter valve

Feature Highlights

- Dual outlet diverter valve with trim
- Metal construction
- Polished chrome finish (standard)

Warranty

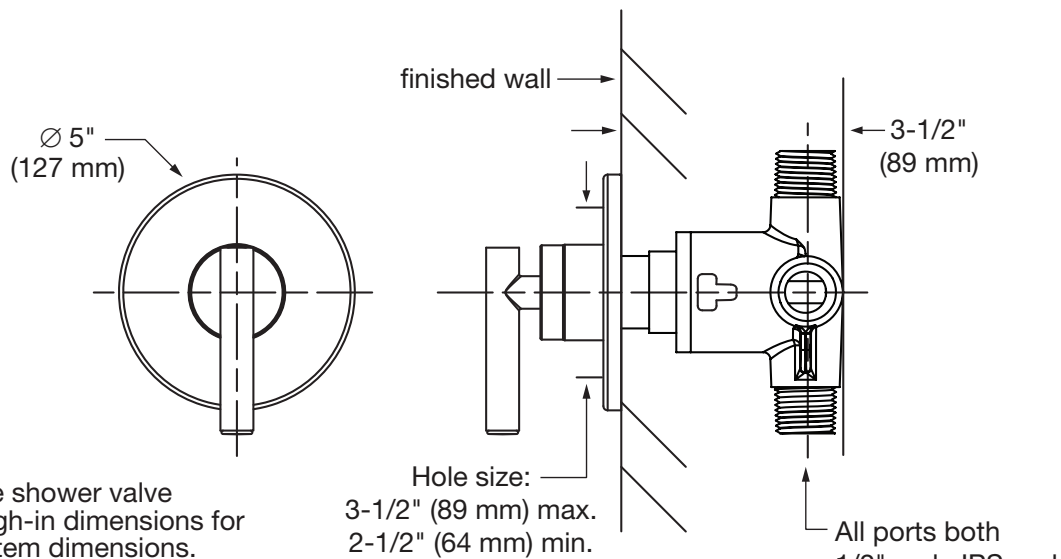
- Limited Lifetime - to the original end purchaser in consumer installations
- 5 years - for commercial installations

Standards / Certifications

ASME A112.18.1/CSA B125.1



Dimensions Museo Dual Outlet Diverter Valve, 53-2DIV



Notes:

- (1) See shower valve rough-in dimensions for system dimensions.
- (2) Dimensions subject to change without notice

All ports both
1/2" male IPS and
1/2" female sweat