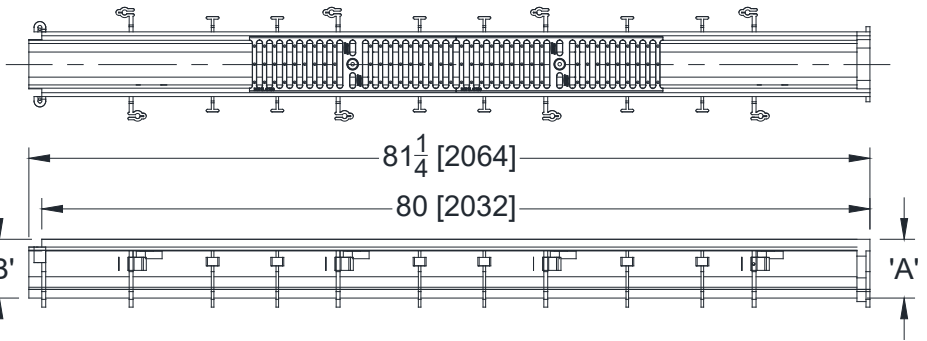
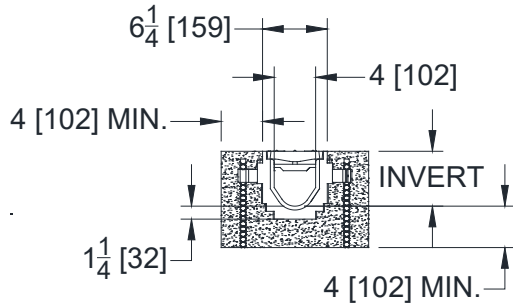


Design and Dimensional Data (inches and [mm]) are Subject to Manufacturing Tolerances and Change Without Notice

SPECIFYING ENGINEER IS RESPONSIBLE FOR CONCRETE ENCASEMENT AND REINFORCING BASED UPON APPLICATION AND LOCAL CODES



NOTE: + Actual Channel length is 81 1/4 [2064] to allow for overlap.

ENGINEERING SPECIFICATION: ZURN Z886 Channels are 80" [2032mm] long, 6-1/4" [159mm] wide reveal and have a 4" [102mm] throat. Modular channel sections are made of 0% water absorbent High Density Polyethylene (HDPE). Channels have a positive mechanical connection between channel sections that will not separate during the installation and mechanically lock into the concrete surround a minimum of every 10" [254mm]. Channels weigh less than 2.31 lbs/ft [3.9 kg/m], have a smooth, 1-1/2" [38mm] radiused self cleaning bottom with a Manning's coefficient of .009 and .75% or neutral 0% built in slope. Channels have rebar clips standard to secure trench in its final location. Channels are provided with standard DGC grates that lock down with lockdown bars to the channel and is not intended for dynamic traffic loadings. Zurn 5-3/8" [137mm] wide reveal Ductile Iron Slotted Grate conforming to ASTM specification A536-84, Grade 80-55-06. Ductile Iron grate is rated class C per the DIN EN1433 top load classifications. Supplied in 20" [508mm] nominal lengths with 1/2" [13mm] wide slots, and 3/4" [19mm] bearing depth. Grate has an open area of 28.1 in²/ft [603 cm²/m].

Trench No.	'A' Shallow Inv.	'B' Deep Inv.	Flow Open Area in ² [cm ²]	Flow		
				(cfs)	(gpm)	(lps)
8601	3.50 [89]	4.10 [104]	11 [71.3]	0.21	93	6
8602	4.10 [104]	4.70 [119]	13.4 [86.8]	0.27	122	8
8603	4.70 [119]	5.30 [135]	15.8 [102.2]	0.34	152	10
8603N	5.30 [135]	5.30 [135]	15.8 [102.2]	-	-	-
8604	5.30 [135]	5.90 [150]	18.2 [117.7]	0.41	183	12
8605	5.90 [150]	6.50 [165]	20.6 [133.2]	0.48	214	13
8606	6.50 [165]	7.10 [180]	23 [148.7]	0.55	245	15
8606N	7.10 [180]	7.10 [180]	23 [148.7]	-	-	-
8607	7.10 [180]	7.70 [196]	25.4 [164.2]	0.62	276	17
8608	7.70 [196]	8.30 [211]	27.8 [179.7]	0.69	308	19
8609	8.30 [211]	8.90 [226]	30.2 [195.2]	0.76	339	21
8610	8.90 [226]	9.50 [241]	32.6 [210.6]	0.83	371	23
8611	9.50 [241]	10.10 [257]	35 [226.1]	0.90	403	25
8612	10.10 [257]	10.70 [272]	37.4 [241.6]	0.97	435	27
8612N	10.70 [272]	10.70 [272]	37.4 [241.6]	-	-	-
8613	10.70 [272]	11.30 [287]	39.8 [257.1]	1.04	467	29
8614	11.30 [287]	11.90 [302]	42.2 [272.6]	1.11	498	31
8615	11.90 [302]	12.50 [318]	44.6 [288.1]	1.18	530	33

PREFIX OPTIONS (Check/specify appropriate options)

___ Z Six-foot, Eight-inch High Density Polyethylene (HDPE)*

SUFFIX OPTIONS (Check/specify appropriate options)

Outlet Adapters Add/Each

- ___ -E1 Closed End Cap
- ___ -E2 2 [51] No-Hub End Outlet
- ___ -E3 3 [76] No-Hub End Outlet
- ___ -E4 4 [102] No Hub End Outlet
- ___ -E6 6 [152] No-Hub End Outlet
- ___ -U2 2 [51] No-Hub Bottom Outlet
- ___ -U3 3 [76] No-Hub Bottom Outlet
- ___ -U4 4 [102] No-Hub Bottom Outlet
- ___ -U6 6 [152] No-Hub Bottom Outlet

Miscellaneous Options

- ___ -VP Vandal-Proof Lockdown
- ___ -JC Joint Connector
- ___ -BL High Density Polyethylene (HDPE) System with 3% Carbon Black Additive

* Regularly furnished unless otherwise specified.

USA Miscellaneous Options

- ___ -DB Bottom Dome Strainer
- ___ -SW Sidewall Extension - 9 [229] High
- ___ -SW2 Sidewall Extension - 18 [457] High

Frame and Grate Options on Page 2

WARNING: Cancer and Reproductive Harm - www.P65Warnings.ca.gov
ADVERTENCIA: Cáncer y daño reproductivo - www.P65Warnings.ca.gov
AVERTISSEMENT: Cancer et effets néfastes sur la reproduction - www.P65Warnings.ca.gov



Z886

6-1/4 [159] WIDE REVEAL TRENCH DRAIN SYSTEM

SPECIFICATION SHEET

TAG _____

Design and Dimensional Data (inches and [mm]) are Subject to Manufacturing Tolerances and Change Without Notice

Frame Options

- ___ -AVB Aluminum Veneer Bronze Anodized Frame
- ___ -SVF Type 304 Stainless Steel Top Veneer Frame

Grate Options (Load Classifications are per DIN EN1433)

- ___ -BDC Black Acid Resistant Epoxy Coated Ductile Grate - Class C
- ___ -BG Galvanized Ductile Iron Bar Grate - Class C
- ___ -DBG Ductile Iron Cast Bar Grate - Class C
- ___ -DC Ductile Iron Solid Cover - Class C
- ___ -DGC Ductile Iron Slotted Grate - Class C*
- ___ -GDC Galvanized Ductile Slotted Grate - Class C
- ___ -GG Fiberglass Grate - Class A
- ___ -GHPD Galvanized Heel-Proof Ductile Grate - Class B
- ___ -HPD Heel-Proof Ductile Slotted Grate - Class B
- ___ -HPP Heel-Proof Polyethylene Grate - Class A
- ___ -LD Longitudinal Ductile - Class B
- ___ -RFGC Reinforced Slotted Galvanized Grate - Class C
- ___ -RFSC Reinforced Slotted Stainless Steel Grate - Class C
- ___ -RPGC Reinforced Perforated Galvanized Grate - Class C
- ___ -RPGRC Reinforced Galvanized Perforated Reverse Punch Anti-Slip Grate - Class C
- ___ -RPSC Reinforced Perforated Stainless Steel Grate - Class C
- ___ -RPSRC Reinforced Perforated Stainless Steel Reverse Punch Grate - Class C

Decorative Grate Options (Load Classifications are per DIN EN1433)

- ___ -BCD Bronze Circular Decorative Grate - Class A
- ___ -SWGB-AS Slip Resistant Stainless Steel Wire Grate - Class B
- ___ -BDD Bronze Diagonal Decorative Grate - Class A
- ___ -DCD Ductile Iron Circular Decorative Grate - Class C
- ___ -DDD Ductile Iron Diagonal Decorative Grate - Class A
- ___ -DOG Ductile Iron Decorative Grate - Class A
- ___ -DTW Ductile Iron Tidal Wave Grate - Class C
- ___ -GMG Galvanized Steel Mesh Grate - Class A
- ___ -HPB Heel-Proof Bronze Slotted Grate - Class A
- ___ -HPS Heel-Proof Stainless Steel Slotted Grate - Class A
- ___ -SCD Stainless Steel Circular Decorative Grate - Class B
- ___ -SDD Stainless Steel Diagonal Decorative Grate - Class B
- ___ -SMG Stainless Steel Steel Mesh Grate - Class A
- ___ -SOG Stainless Steel Decorative Grate - Class B

MADE in the U.S.A. (Load Classifications are per DIN EN 1433)

- ___ -AWG Aluminum Wire Grate - Class A
- ___ -DGC-USA Ductile Iron Slotted Grate-Class C (Substitute DGE-USA)
- ___ -FG Fabricated Galvanized Steel Slotted Grate - Class A
- ___ -FS Fabricated Stainless Steel Slotted Grate - Class A
- ___ -GDC-USA Galvanized Ductile Slotted Grate - Class C
- ___ -PG Perforated Galvanized Steel Grate - Class A
- ___ -PGR Galvanized Perforated Reverse Punch Anti-Slip ADA Grate - Class A
- ___ -PPC Plastic Perforated Grate - Class B
- ___ -PS Perforated Stainless Steel Grate - Class A
- ___ -SC Fabricated Stainless Steel Solid Cover - Class A

Decorative MADE in the U.S.A. (Load Classifications are per DIN EN1433)

- ___ -BZ Bronze Decorative Grate - Class A
- ___ -NBZ Nickel Bronze Decorative Grate - Class A
- ___ -PSR Perforated Stainless Steel Raised Grate - Class A
- ___ -STWG Stainless Transverse Wire Grate - Class A

* Regularly furnished unless otherwise specified.

WARNING: Cancer and Reproductive Harm - www.P65Warnings.ca.gov

ADVERTENCIA: Cáncer y daño reproductivo - www.P65Warnings.ca.gov

AVERTISSEMENT: Cancer et effets néfastes sur la reproduction - www.P65Warnings.ca.gov

Zurn Industries, LLC | Specification Drainage Operation
1801 Pittsburgh Avenue, Erie, PA 16502, Ph. 855.663.9876

In Canada | Zurn Industries Limited
7900 Goreway Drive, Unit 10, Brampton, Ontario L6T 5W6, Ph. 877.892.5216

www.zurn.com

Rev. AF

Date: 05/20/25

C.N. No. 146570

Patent zurn.com/patents

Prod. | Dwg. No. Z886

Page 2 of 2