



Text 1-812-652-2525
(US and Canada only, carrier fees may apply)



Visit www.maxicosi.com



Call 1-800-544-1108



Email support@djgusa.com



Learn More

©2024 Dorel Juvenile Group, Inc. (800) 951-4113 www.maxicosi.com. Styles, colors, and labeling may vary. Made in China. Distributed by Dorel Juvenile Group, Inc., 2525 State St., Columbus, IN 47201-7494. Dorel Juvenile Canada, 2233 Argenta Road, Suite 110, Mississauga, ON L5N 2X7. Representante exclusivo en Chile: DOREL JUVENILE CHILE S.A. Av. del Parque 4161, oficina 602 A, Huechuraba, Santiago, Chile - Fono: 56 2 24971500 - www.infanti.cl - www.dorel.cl. Importado y distribuido en Perú por: COMEXA COMERCIALIZADORA EXTRANJERA S.A. SUCURSAL DEL PERÚ - Los Libertadores 455, San Isidro, Lima 27, Lima, Perú RUC 20431062870 - Fono: 4413029 - www.infanti.com.pe. En Centro América, Caribe y Ecuador por: Best Brands Group S.A. - Av. Balboa, Bay Mall Plaza, Planta Baja, local 9, Panamá. - Fono: (507) 300 2884. En Colombia por: Baby Universe S.A.S. - Vía 40 No. 77-29, Barranquilla, Colombia - Fono: (575) 353 1110 Importador: DJGM, S.A. DE C.V. Gabriel Mancera No. 1041 Col. Del Valle, Benito Juárez C.P. 03100 México, Ciudad de México R.F.C. DJG140305GN9 Tel. (55) 67199202 03/24 4358-8520



MAXI-COSI[®]
KINDRED COLLECTION

Carriage
Accessory



CV460

Keep these instructions for future reference.



Introducing the Maxi-Cosi Kindred Collection

Our Maxi-Cosi Kindred Collection is inspired by the ancestry, connection, and inseparable bonds of Family. When you choose to invite us into your home, you allow us to become a part of your life.

These pieces are more than furniture or baby products—they're carriers and keepers of cherished memories and family ties. Their exceptional quality and craftsmanship mean that the memories they'll make are countless. Each Maxi-Cosi Kindred Collection piece is thoughtfully created, reflects a timeless design, features EcoCare premium, recycled fabric made from plastic bottles, and is meant to be loved and shared.

The Maxi-Cosi Kindred Collection
Lineage in design.

WARNINGS 6

ASSEMBLY 9

 Parts 10

 Setting Up the Carriage Accessory 12

 Attaching the Cover 14

 Folding the Carriage Accessory 15

USE 17

 Using the Canopy 18

 Using the Privacy Shield 18

 Using the Peekaboo Window 19

 Attaching to the Stroller 20

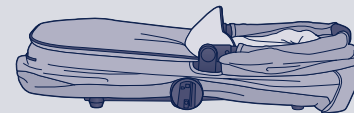
 Detaching from the Stroller 21

CARE AND MAINTENANCE 22

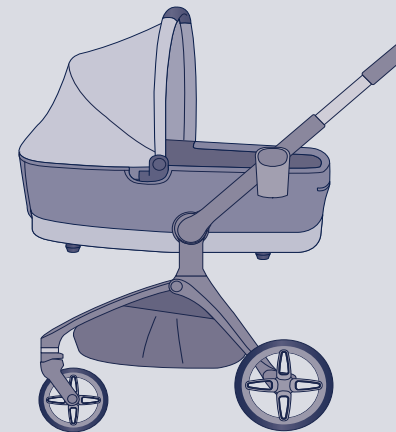
 Warranty Information 23

See back cover for contact information and support.

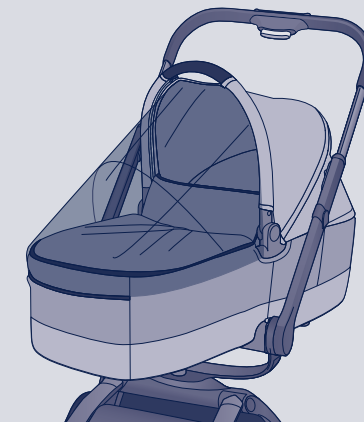
Features of Your Carriage Accessory



**Compact
Fold**



**With Tana 360°
Rotating Modular
Stroller**



**Privacy Shield
and Cover**

Warnings

Read all instructions before assembly and use of product. Keep instructions for future reference. Please read the complete instruction manual for the Tana 360° Rotating Modular Stroller before using the Carriage Accessory. Suitable for infant up to 20 lbs, or when infant begins to push up on hands and knees.

WARNING

- Failure to follow these warnings and the instructions could result in death or serious injury.
- **NEVER LEAVE CHILD UNATTENDED.**
- **ONLY** use Carriage Accessory attached to the Tana 360° Rotating Modular Stroller.
- Stay near and watch baby during use. This product is not safe for sleep or unsupervised use.
- **FALL HAZARD**—To help prevent falls:
 - **DO NOT** use this product when the infant begins to push up on hands and knees or has reached 20 lbs, whichever comes first.
 - **NEVER** carry baby in the Carriage Accessory.
- This product will become unstable if the manufacturer's recommended loads are exceeded.



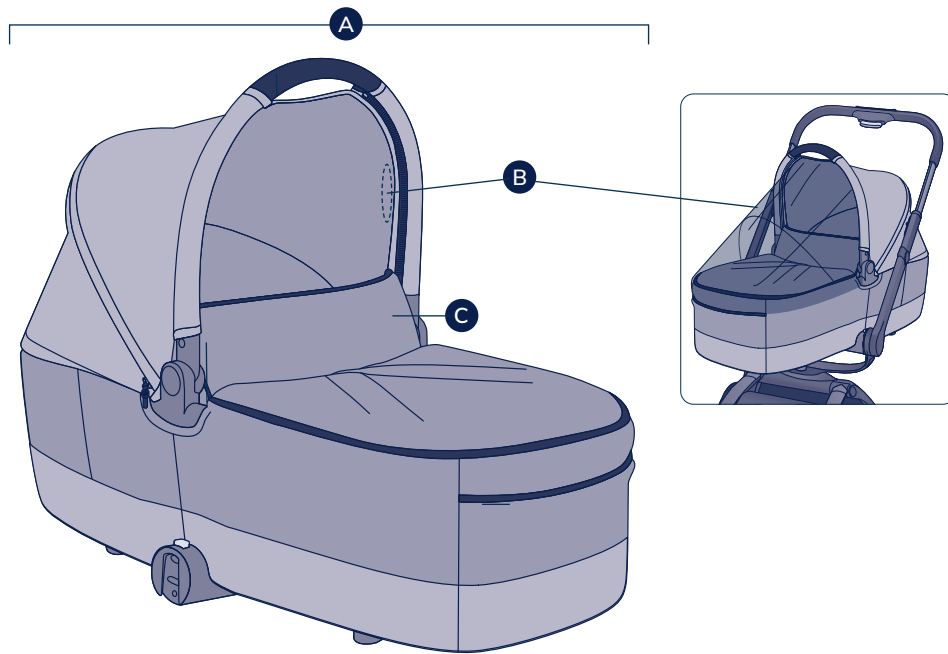
Assembly

Parts

A Carriage Accessory with Canopy

B Privacy Shield (inside of the canopy)

C Cover



No tools required.

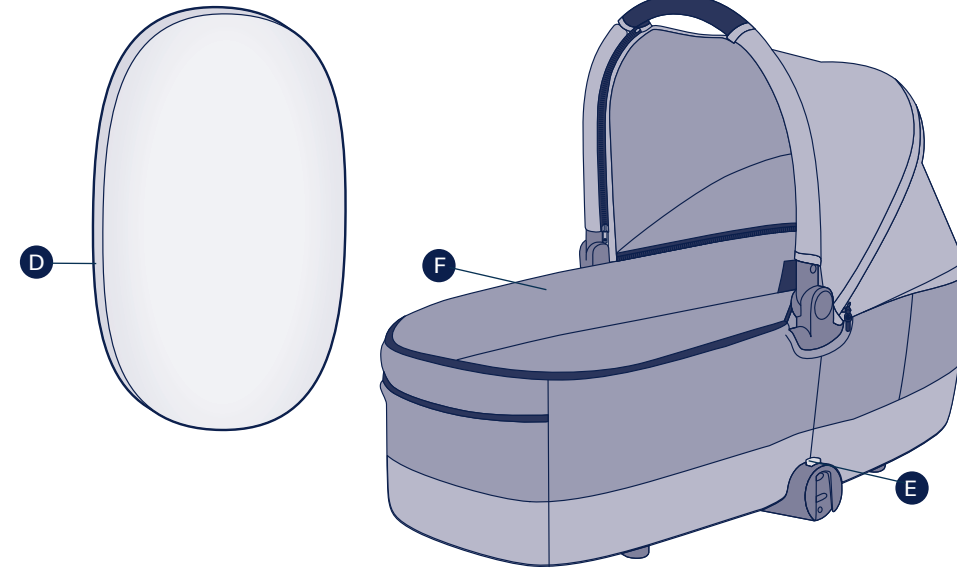
Adult assembly required.

Parts

D Pad

E Release buttons

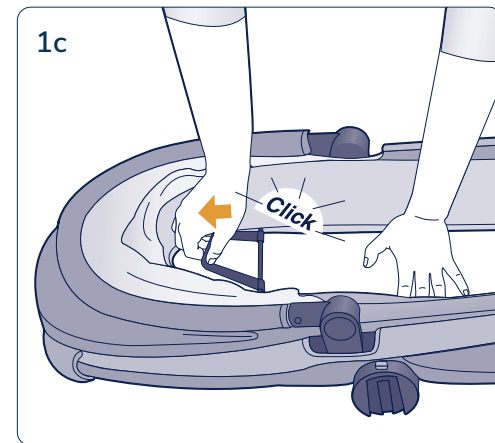
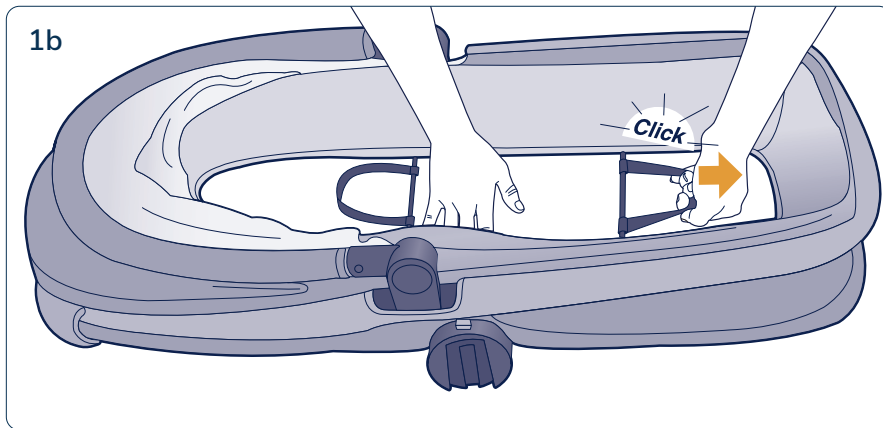
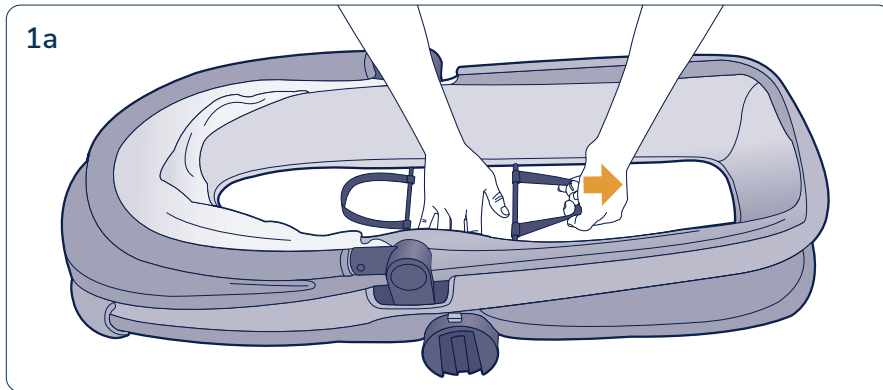
F Liner



Assembly

Setting Up the Carriage Accessory

Placing your hand on the bottom of the Carriage Accessory for leverage (Figure 1a), pull the sliding handle towards the bottom end until it clicks into place (Figure 1b).



Assembly

Setting Up the Carriage Accessory *continued*

Pull the other sliding handle towards the top end until it clicks into place (Figure 1c).

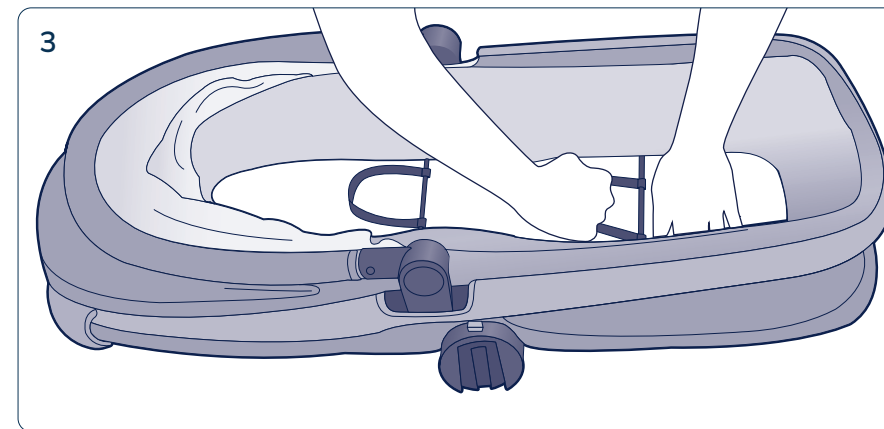
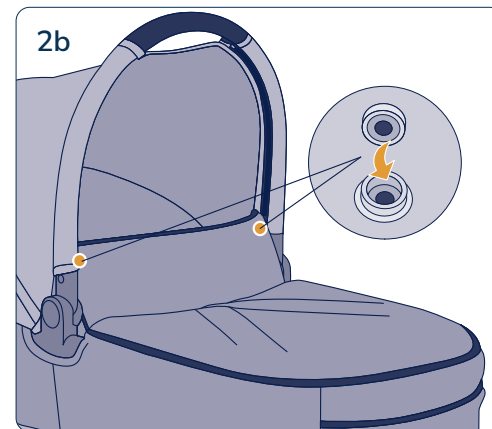
Replace the pad inside the Carriage Accessory (Figure 1d).

Assembly

Attaching the Cover

Zip the cover around the edge of the Carriage Accessory.

Snap the cover to the canopy to secure it in place.



Assembly

Folding the Carriage Accessory

To return the Carriage Accessory to its compact, folded position for storage, push the canopy down so it is not extended. Remove the pad inside the Carriage Accessory. Place one hand next to the outside edge of the sliding handle for leverage (Figure 3). With the other hand, slightly lift the sliding handle up while pulling it inward. Repeat on the other side.



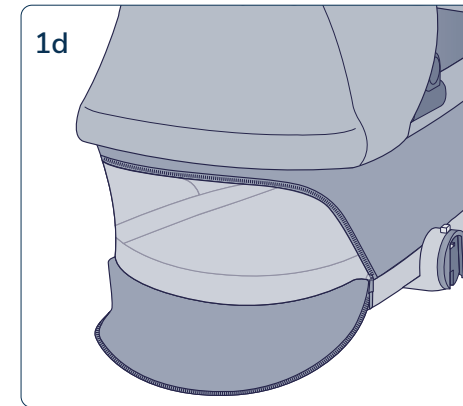
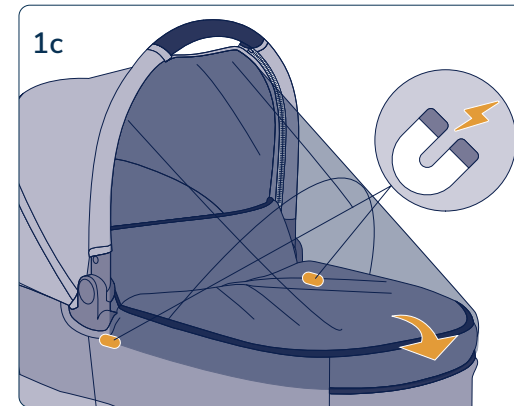
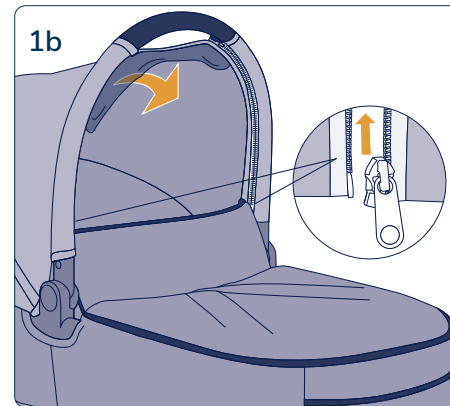
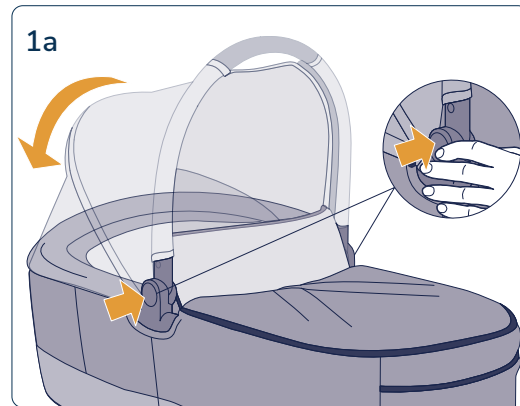
Use

Use

Using the Canopy

Use the handle to pull the canopy forward. It will click into place once it is fully extended. To retract the canopy, press the side canopy buttons and use your fingers as a guide to push it down (Figure 1a).

To extend the privacy screen for additional coverage, unzip the pocket on the inside of the canopy and pull out the privacy shield (Figure 1b).



Use

To secure the privacy shield in place, stretch it to fit over the front of the Carriage Accessory and attach the magnetic flaps on the side of the shield to the side of the Carriage Accessory (Figure 1c).

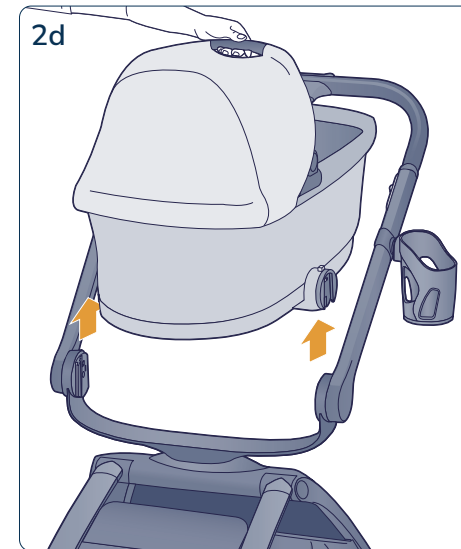
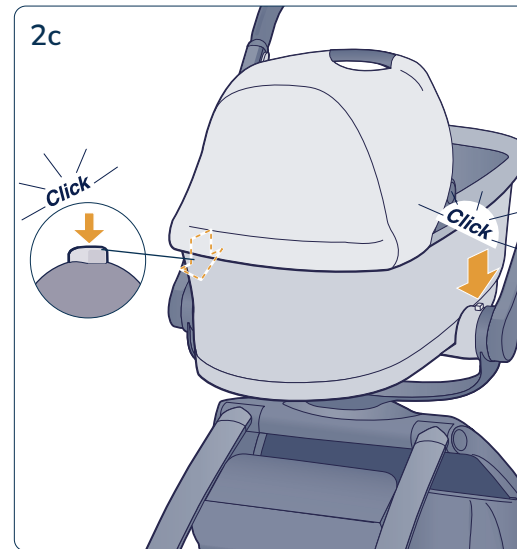
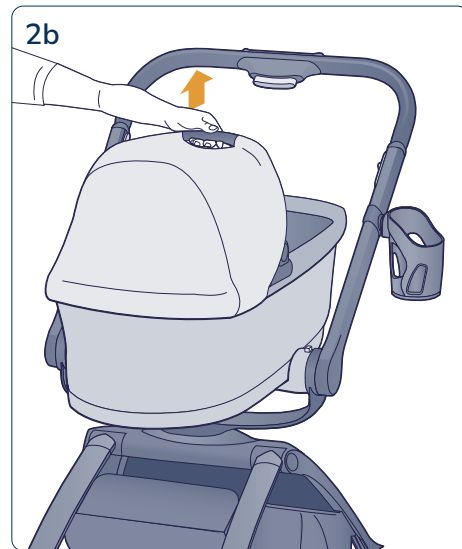
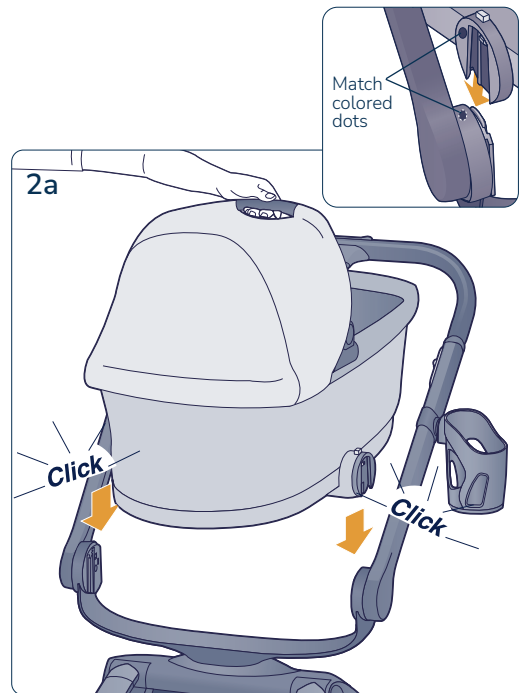
To open the peekaboo window, or for more ventilation, unzip the window and pull down the fabric (Figure 1d).

Use

Attaching to the Stroller

To attach to the Tana 360° Rotating Modular Stroller, align the mounts of the stroller to the openings on the side of the Carriage Accessory. Make sure to match up the colored dots on the mounts and the Carriage Accessory. Push the Carriage Accessory down onto the mounts until each side clicks into place (Figure 2a). If it does not click into place, it is not installed correctly.

Pull up to ensure it is attached securely (Figure 2b).



Use

Detaching from the Stroller

To detach, push the two release buttons down until they click (Figure 2c). Once both buttons are pushed down, lift the Carriage Accessory off the frame (Figure 2d).

For information about how to rotate the Carriage Accessory on the Tana 360° Rotating Modular Stroller, see your Tana instruction manual.

For use until baby reaches 20 lbs or can push up on their hands and knees, whichever comes first.

Care and Maintenance

Care and Maintenance

The pad cover and liner are machine washable with cold water on gentle cycle. Do not use bleach. Tumble dry on low heat or line dry. Spot clean only all other parts.

To remove the machine-washable parts, unzip the cover if attached and open the canopy. Lift the pad out from the bottom of the Carriage Accessory and remove the pad cover. Unzip both sides of the interior liner. Pull apart the hook and loop fastening strips that attach the liner to the walls of the Carriage Accessory.

To reassemble, reattach the hook and loop fastening strips on the liner to the walls of the Carriage Accessory. Zip both sides of the liner. Insert the pad into the pad cover. Place the pad back in the Carriage Accessory as shown on page 13.

Two-Year Limited Warranty

Dorel Juvenile Group, Inc. warrants to the original purchaser that this product (Carriage Accessory) is free from material and workmanship defects when used under normal conditions for a period of two (2) years from the date of purchase. Should the product contain defects in material or workmanship Dorel Juvenile Group, Inc., will repair or replace the product, at our option, free of charge. Purchaser will be responsible for all costs associated with packaging and shipping the product to Dorel Juvenile Group Consumer Care Department at the address noted on back cover and all other freight or insurance costs associated with the return. Dorel Juvenile Group will bear the cost of shipping the repaired or replaced product to the purchaser. Product should be returned in its original package accompanied by a proof of purchase, either a sales receipt or other proof that the product is within the warranty period. This warranty is void if the owner repairs or modifies the product or the product has been damaged as a result of misuse. This warranty excludes any liability other than that expressly stated previously, including but not limited to, any incidental or consequential damages.

SOME STATES DO NOT ALLOW THE EXCLUSION OR LIMITATION OF INCIDENTAL OR CONSEQUENTIAL DAMAGES, SO THE ABOVE LIMITATION OR EXCLUSION MAY NOT APPLY TO YOU. THIS WARRANTY GIVES YOU SPECIFIC LEGAL RIGHTS, AND YOU MAY ALSO HAVE OTHER RIGHTS THAT MAY VARY FROM STATE TO STATE.