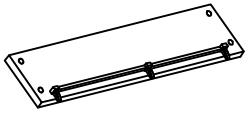


ASSEMBLY INSTRUCTION

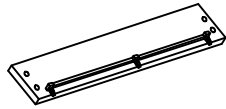
E208B/E318B(3A)& E208D/E318D-C(3A) FULL/QUEEN DABED TRUNDLE

A TRUNDLE FRONT PANEL



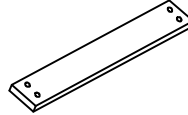
1PC

B TRUNDLE BACK PANEL



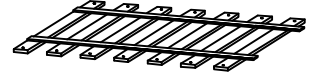
1PC

C LEFT & RIGHT PANEL



2PCS

D SLATS FOR DAYBED



2PCS

E BOLT
5/16**3/4"



16PCS

F LOCK WASHER
5/16"



16PCS

G FLAT WASHER
5/16**22MM



16PCS

H SELF-TAPPING SCREW
#8*1-1/4"



28PCS

I CONNECTION STRAP
130*45*3.0T MM

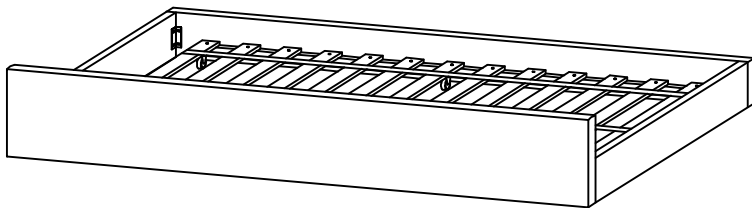


4PCS

J ALLEN WRENCH
5MM

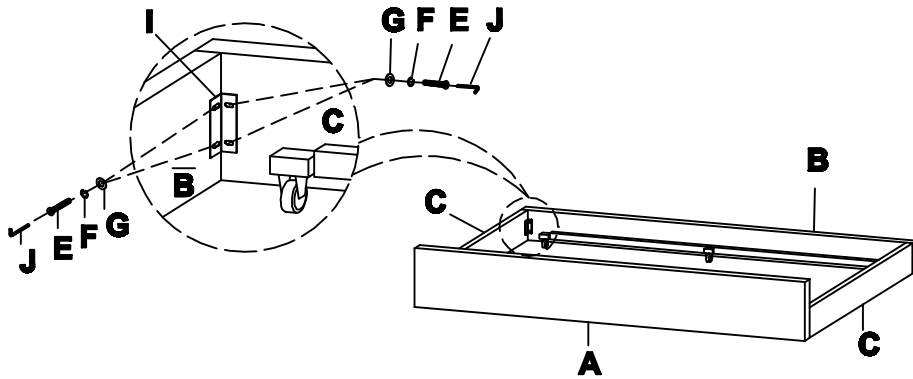


1PC

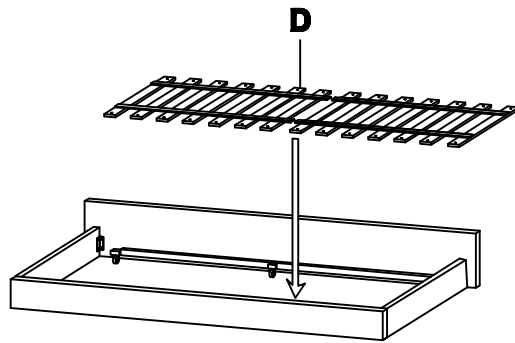


This page lists all the contents included in the box. Please take the time to identify the hardware as well as the individual components to this product. As you unpack and prepare for assembly, place the contents on a carpeted or padded area to protect them from damage.

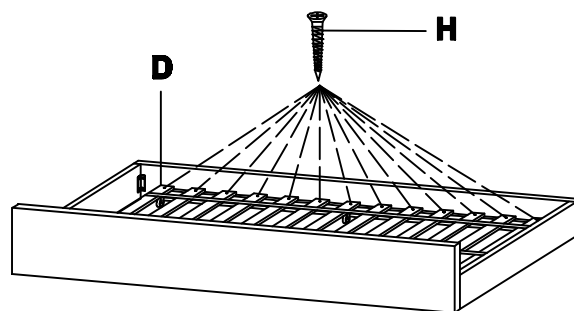
-
- 1** ATTACHED CONNECTION STRAP(I), LOCK WASHER(F), FLAT WASHER(G), BOLT(E), BY ALLEN WRENCH(J), TRUNDLE FRONT PANEL(A), TRUNDLE BACK PANEL(B), AND LEFT & RIGHT PANEL (C) .



-
- 2** ATTACHED CONNECTION SLATS FOR DAYBED(D).



-
- 3** ATTACHED SLATS FOR DAYBED(D), WITH SELF-TAPPING SCREW(H).



Cleaning & Care

Treat surface with care. Surface is resistant to scratches but is not scratch resistant. Clean surfaces with a dry or damp soft cloth. Do not use abrasive cleaners. Hardware may loosen over time. Periodically check that all connections are tight.