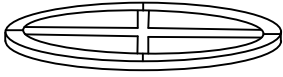


# ASSEMBLY INSTRUCTION

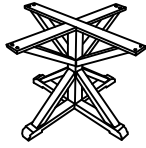
## ROUND TABLE

**A** Table Top



1pc

**B** Base



1pc

**C** Bolt  
Ø5/16"x1-1/2"



8pcs

**D** Flat Washer  
Ø5/16"x22mm



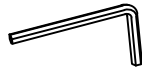
8pcs

**E** Lock Washer  
Ø5/16"x13mm

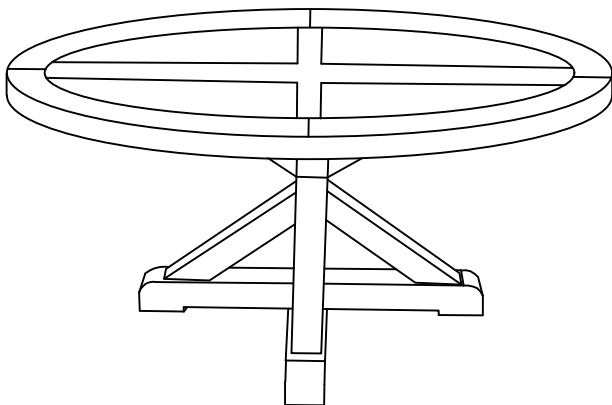


8pcs

**F** Allen Key  
M5

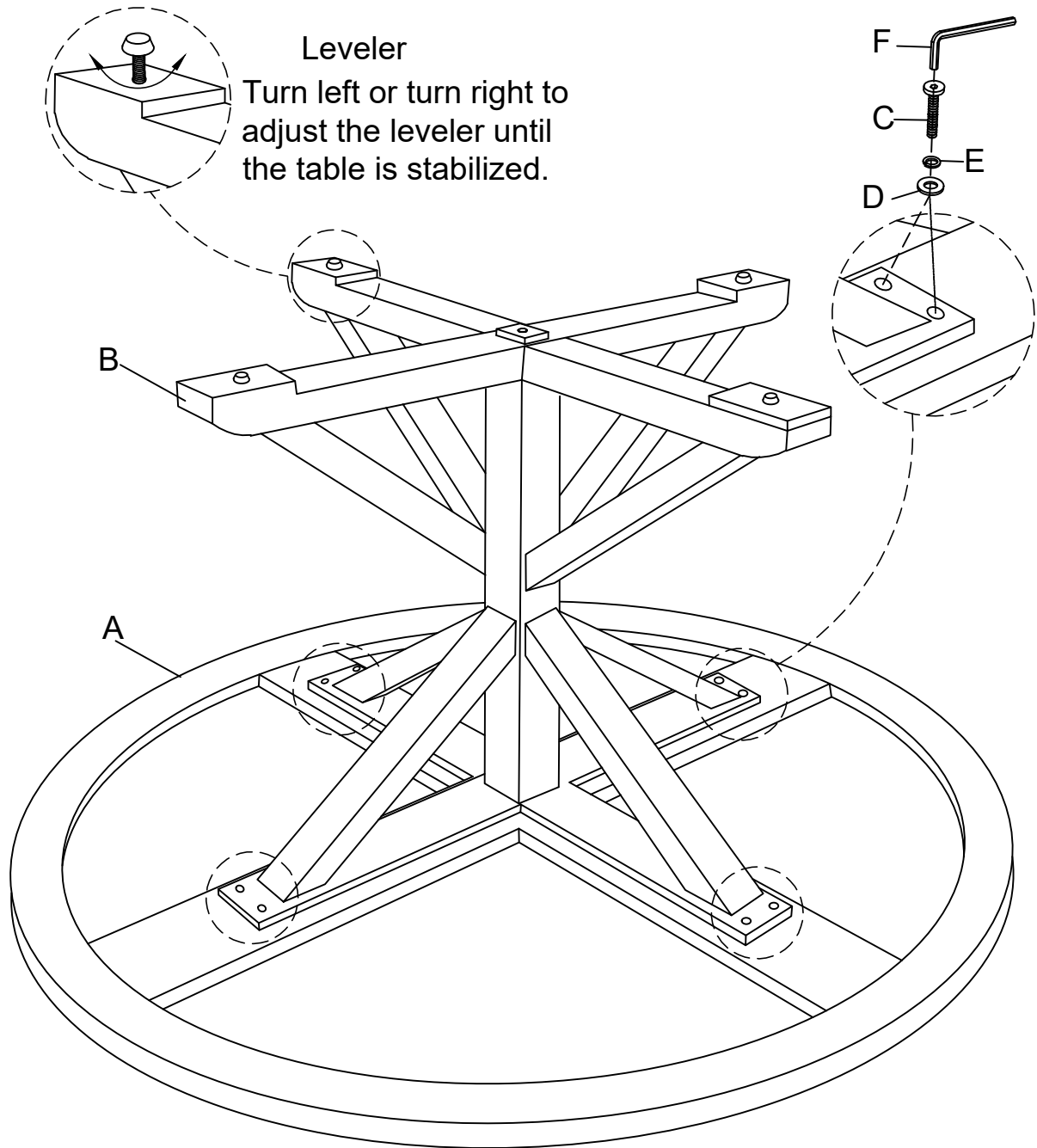


1pc



This page lists all the contents included in the box. Please take the time to identify the hardware as well as the individual components to this product. As you unpack and prepare for assembly, place the contents on a carpeted or padded area to protect them from damage.

**1** Attach Base (B) to Table Top (A) using Bolt (C), Flat Washer (D), Lock Washer (E) by Allen Key (F) as below shown.









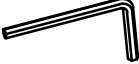



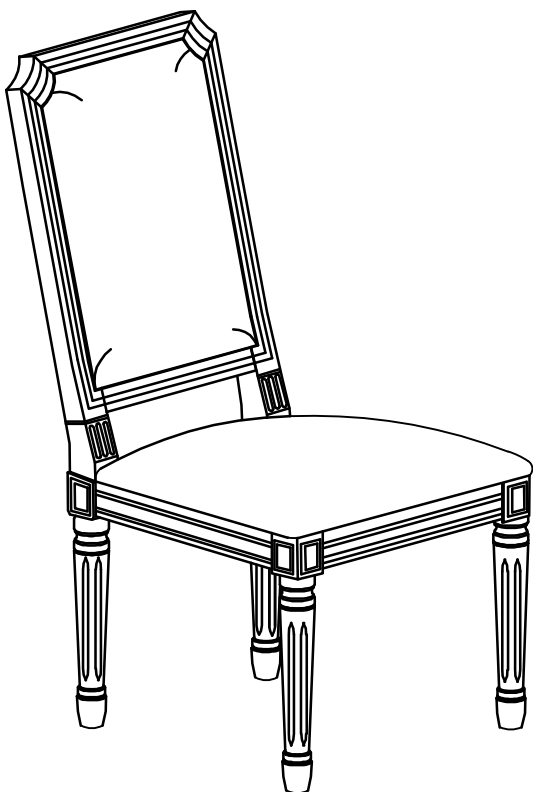
### Cleaning & Care

Treat surface with care. Surface is resistant to scratches but is not scratch resistant. Clean surfaces with a dry or damp soft cloth. Do not use abrasive cleaners. Hardware may loosen over time. Periodically check that all connections are tight.

# ASSEMBLY INSTRUCTION

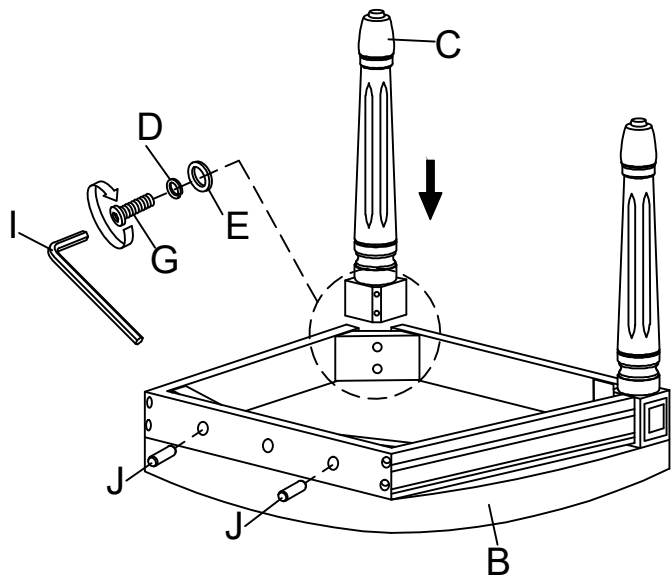
## DINING CHAIR

<b>A</b> Chair Back 	<b>B</b> Seat 	<b>C</b> Front Leg 	<b>D</b> Lock Washer Ø5/16"x13mm 
1pc <b>E</b> Flat Washer Ø5/16"x19mm 	1pc <b>F</b> Bolt Ø5/16"x1-3/4" 	2pcs <b>G</b> Bolt Ø5/16"x2-1/2" 	9pcs <b>H</b> Bolt Ø5/16"x3-1/2" 
9pcs <b>I</b> Allen Key M5 	1pc <b>J</b> Wood Dowel Ø10x30mm 	4pcs 	4pcs 
1pc 	2pcs 		



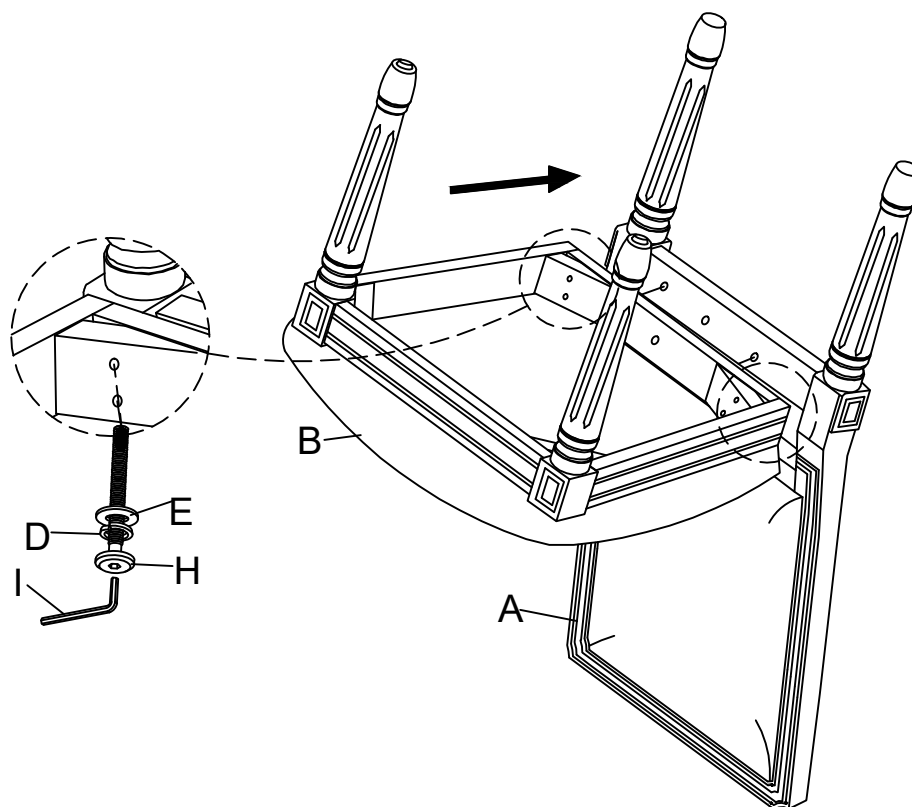
This page lists all the contents included in the box. Please take the time to identify the hardware as well as the individual components to this product. As you unpack and prepare for assembly, place the contents on a carpeted or padded area to protect them from damage.

- 1** Put the Seat (B) on a smooth flat surface, attach Front Leg (C) to the Seat (B), using Bolt (G), Lock Washer (D) and Flat Washer (E) on both holes of Seat (B) by Allen Key (I). Turn the Allen Key (I) in Bolt (G). But not too tight. Attach Wood Dowel (J) to Seat (B) back.



Take the Allen Key, and turn the bolts until the legs are secure. **DO NOT TIGHTEN COMPLETELY.** Stop when you feel you are adding force to tighten the bolt.

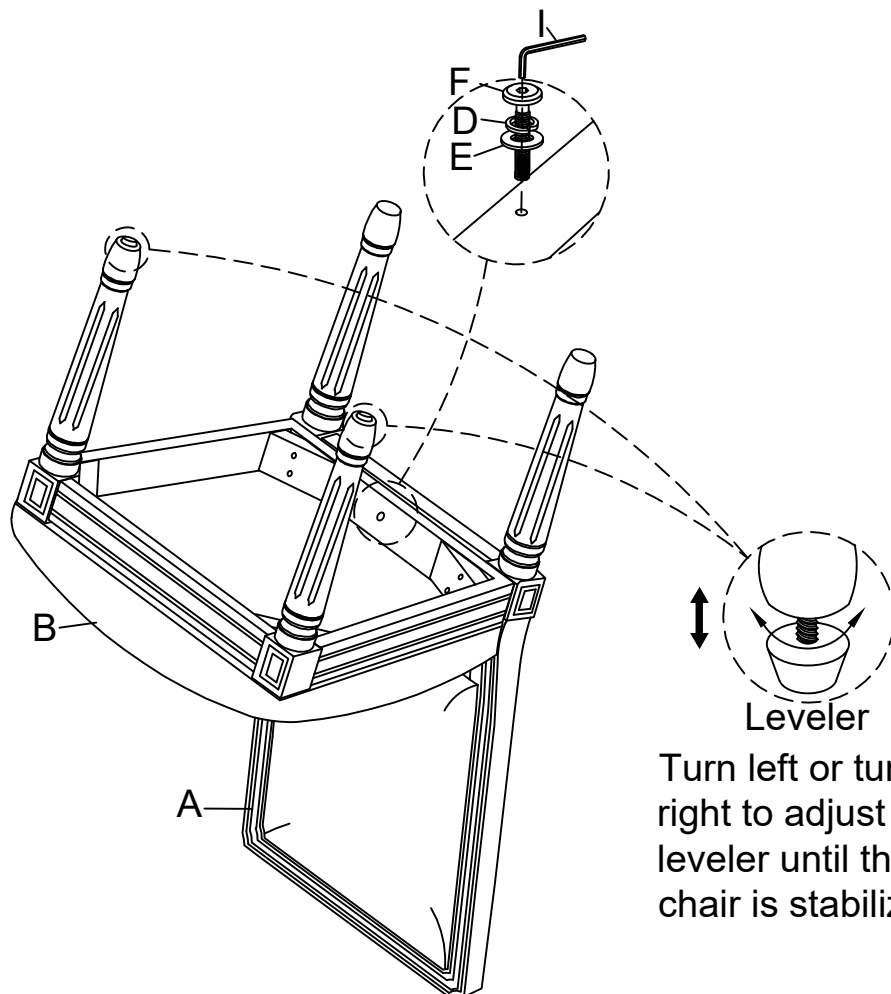
- 2** Put Chair Back (A) on a smooth flat surface, attach the Seat (B) to the Chair Back (A), using Bolt (H), Lock Washer (D), Flat Washer (E) in both holes of Seat (B) and Chair Back (A). Turn the Allen Key (I) in Bolt (H).



**3** Finally, assemble the last Bolt (F) to Seat (B) and Chair Back (A) with Lock Washer (D) & Flat Washer (E) by Allen Key (I).

Stand chair up on an even surface and check that it is balanced. If there is a slight wobble, apply downward pressure in the corner where a leg is uneven. Keeping pressure in that corner, tighten all bolts. If balanced, apply downward pressure evenly in the center and tighten all bolts. Do not over-tighten beyond hole depth.

**Helpful Tip:**  
-Instead of applying downward pressure while reaching under to tighten bolts, have someone sit in the chair while you tighten the bolts.



Turn left or turn right to adjust the leveler until the chair is stabilized.

### Cleaning & Care

Treat surface with care. Surface is resistant to scratches but is not scratch resistant. Clean surfaces with a dry or damp soft cloth. Do not use abrasive cleaners. Hardware may loosen over time. Periodically check that all connections are tight.