



Tea-for-Two® | K-856-JH

66" x 36" drop-in/undermount whirlpool bath

Features

- Six Proflex® hydromassage jets can be individually adjusted for water flow and direction
- Single-speed whirlpool offers performance and value, with six fully adjustable jets
- Built-in heater
- Spacious design accommodates up to two bathers
- Integral lumbar support
- Textured bottom surface



Sustainability



Available Colors/Finishes

Color tiles intended for reference only.

- 0 White
- 96 Biscuit
- NY Dune
- 7 Black Black



Codes/Standards

ASME A112.19.1/CSA B45.2
ASME A112.19.7/CSA B45.10
ASTM F462
UL 1795
CSA C22.2 No. 218.2
cUL Listed
UL Listed

Technical Information

All product dimensions are nominal.

Drain Location:	Reversible
Drain Hole Diameter:	2-1/4" (56 mm)
Minimum Flat for Door:	1-15/16" (50 mm)
Basin Area, Bottom:	40-1/2" x 20" (1029 mm x 508 mm)
Basin Area, Top:	52-3/4" x 24" (1340 mm x 610 mm)
Water Depth:	13-5/8" (346 mm)
Water Capacity:	60 gal (227.1 L)
Minimum Floor Load:	60 lbs/ft ²
Weight:	290 lbs (131.5 kg)
Cutout:	Drop-in, 64-1/2" x 34-1/2" (1638 mm x 876 mm)

Material

- KOHLER® enameled cast iron

Recommended Products/Accessories

K-1179 Tiling-in bead, 180" length
K-1491 Bath/whirlpool pillow, removable
K-1601 Bath/whirlpool footstop, removable
K-587 Undermount kit for select 66" Tea-for-Two bath models
K-1172 Adjustable feet for use on Vintage®, Maestro™ and Tea-for-Two® 5' baths

Required Products/Accessories

- K-78440 33" cable pop-up bath drain
- or
- K-23857 Bath drain trim

Required Electrical Service

Two dedicated circuits required, protected with Class A Ground-Fault Circuit-Interrupter (GFCI). Outside North America, this device may be known as a Residual Current Device (RCD).

Pump:	120 V, 15 A, 60 Hz
Heater:	120 V, 15 A, 60 Hz

Electrical Component Ratings

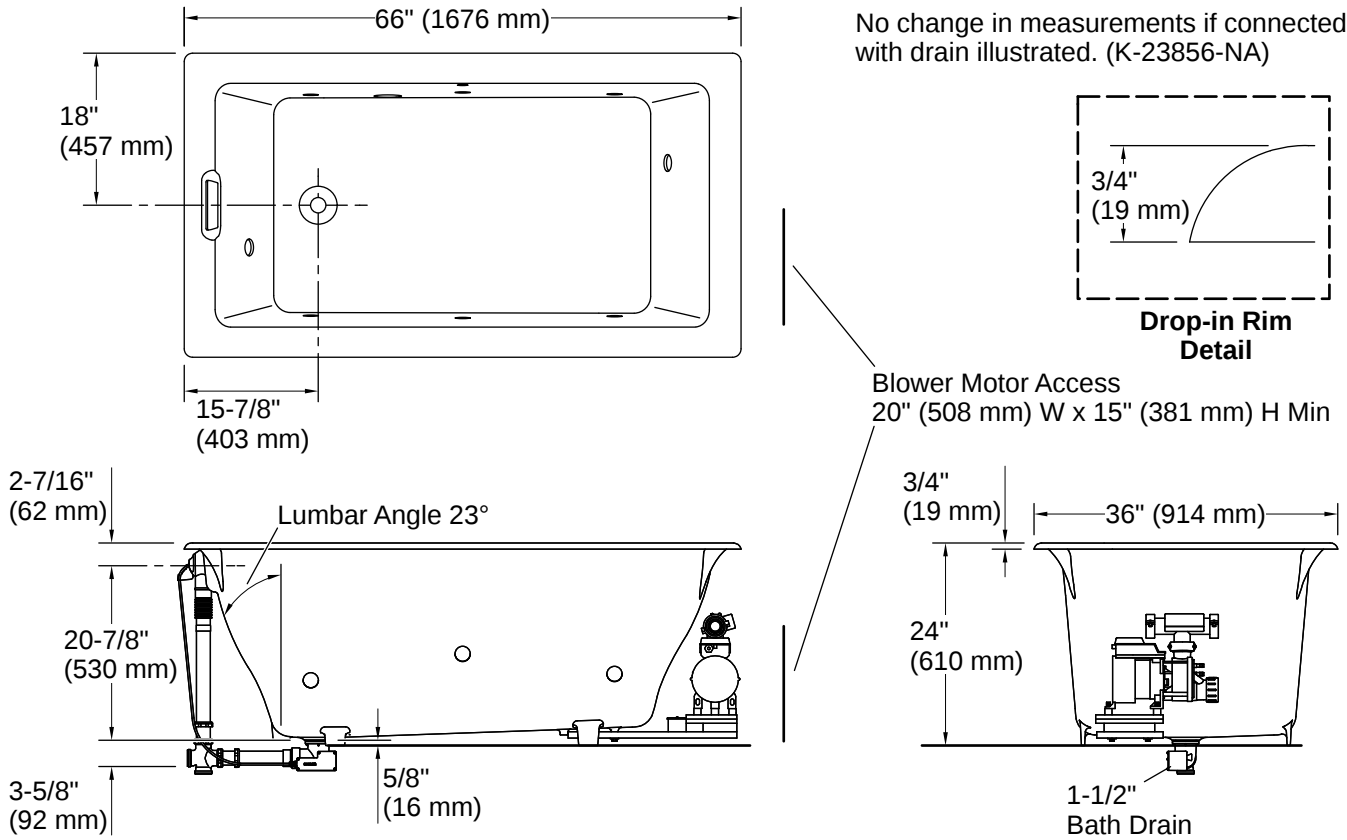
Pump:	120 V, 7 A, 60 Hz
Number of Speeds:	Single
Heater:	120 V, 12 A, 60 Hz

Warranty

See website for detailed warranty information.

KOHLER® Enameled Cast Iron Bath and Shower Base Lifetime Limited Warranty|KOHLER® Hydrotherapy Components Five-Year Limited Warranty





No change in measurements if connected with drain illustrated. (K-23856-NA)

Installation

- Drop-in or undermount
- Reversible drain

Installation Notes

Install this product according to the installation instructions.

Measure your actual product for rough-in details.
The hot water supply should be 70% of the capacity of the bath or greater. Installations will vary.

