

DLS4

Surface Mount LED Downlight

Product Description

Recessed housing is no longer required as the DLS Surface Mount LED Downlight fastens directly to most any standard 4/O junction box. Simply remove the twist lock diffuser and set your included captive screws. It's that quick! The DLS downlight is also versatile enough for use in most 4" recessed housings making it a very flexible lighting solution for both retrofit and new construction. Offering either a 2700K, 3000K or 4000K color temperature and a high color rendering of 90+CRI, the DLS downlight is also dimmable to 5%. It's easy to add light with minimal effort in spaces such as hallways, bathrooms, basements, entry ways, porches, stairways, work areas, utility closets, corridors. You can also take advantage of the wet location rating and use it in showers and bathrooms.

Construction

- Die cast aluminum trim routes heat away from electrical components
- Low profile driver allows for surface mount installation in a 4/O J-box
- Captured screws and slotted mounting holes.
- Twist lock diffuser allows for easy removal during installation
- Suitable for use in closets

Optical System

- White polycarbonate diffuser eliminates hot spots creating a pleasantly uniform light distribution

Electrical

- Utilizes high performing LEDs with greater than 90 CRI and an R9 greater than 50
- Dimmable to less than 5% with most standard TRIAC dimmers
- Thermally protected, high efficiency driver
- Operating temperature rating of 0°F to 120°F (-18°C to 49°C)
- Input voltage of 120VAC
- Reported lifetime rated for greater than 60,000 hours
- LM79, LM-80 testing performed in accordance with IESNA standards
- Meets FCC Part 15, Subpart B, Class B standards for conducted and radiated emissions.

Finish

- Exterior white powder coat finish

Installation

- Direct mount to a non-metallic 4" or metal 4/O J-box
- Slotted mounting holes and captured screws allow for easy installation into most 4" J-boxes
- Compatible with most 4" recessed housings using included friction clips
- Quick and easy recessed housing installation with a screw-in Edison base (GU24 socket string available)
- Suitable for wet locations
- Compliant with NFPA® 70, NEC® Section 410.16 (A)(3) and 410.16 (C)(5)

Warranty

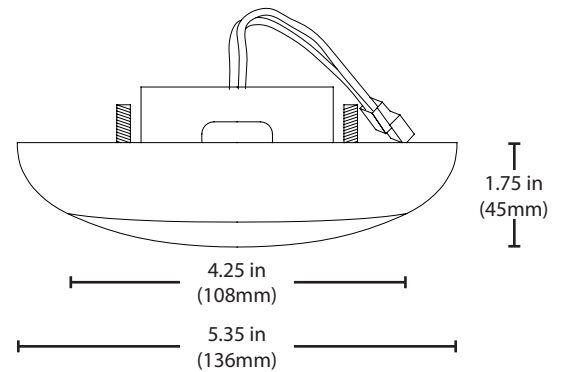
- 5-year limited system warranty standard

Project _____

Catalog _____

Type _____

Date _____

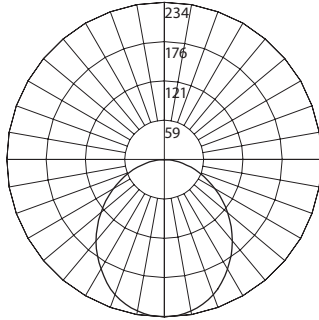


Except 5000K

Photometric Data

DLS4 2700K

Input Voltage (VAC)	120V
System Level Power (W)	9.4
Delivered Lumens (Lm)	629
System Efficacy (Lm/W)	66.9
Correlated Color Temp (K)	2684
Color Rendering Index (CRI)	94
Beam Angle	103°
Spacing Criteria	1.22



Intensity Summary (Candle Power)

Angle	Mean CP
0	234
5	202
15	41
25	0
35	0
45	126
55	94
65	64
75	38
85	17
90	4

CCT Data Multiplier

DLS4-3006-120-3K	1.048
DLS4-3006-120-4K	1.070

Cone of Light Tabulation

Mounted height (Feet)	Footcandles Beam Center	Diameter (Feet)
4	14.6	4.9
6	6.5	7.3
8	3.7	9.4
10	2.4	11.7
12	1.6	15.0
14	1.2	17.0
16	0.9	17.8

Zonal Lumen Summary

Zone	Lumens	% of Luminaire
0-30	178	28.3%
0-40	287	45.6%
0-60	491	78.2%
0-90	625	99.5%
90-180	3	0.5%
0-180	629	100.0%

Fixture tested per LM-79-08. Photometric data is of the performance of a representative fixture. Results may vary in the field.

Performance Data

Model Number	Lumens	Watts	Lumens/Watt
DLS4-3006-120-2K	629	9.4	66.9
DLS4-3006-120-3K	659	9.4	70.1
DLS4-3006-120-4K	673	9.4	71.6

Recommended Dimmers*

Lutron DIVA DVELV-300P
Lutron DIVA DVELV-303P
Lutron Skylark SELV-300P
Lutron Radio RA RRD-6CL
Cooper 9530

Housing Compatibility*

MOST 4" NON-METALLIC JUNCTION BOXES
19000A-LED-ID 4" LED IC AIRTIGHT NEW CONST. HOUSING
19001AR-LED-ID 4" LED IC AIRTIGHT REMODEL HOUSING
MOST STANDARD 4" RECESSED HOUSINGS

*Not a complete list. Check compatibility before installation.

Ordering Information

Example: DLS4-3006-120-3K-WH

Series	Version	Voltage	CCT's	Trim Color
DLS4	3006 (Version 3.0)	120 (120V)	2K (2700 K)	WH (White)
			3K (3000 K)	
			4K (4000 K)	

Specifications and dimensions subject to change without notice

Accessories

accessories sold separately

GU24 Socket String

GU24-IDEAL-SKT-STR