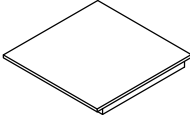
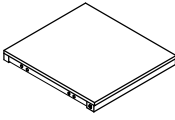
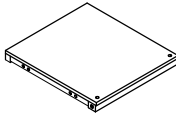
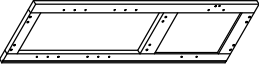
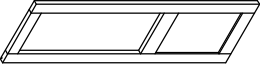
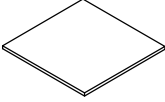
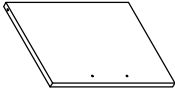
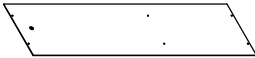
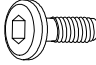
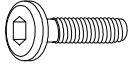

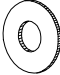

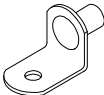
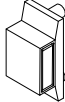


# ASSEMBLY INSTRUCTION

## SIDE TOWER

<b>A</b> Top Panel	<b>B</b> Middle Panel	<b>C</b> Bottom Panel
 1pc	 1pc	 1pc
<b>D</b> Right Side Panel	<b>E</b> Left Side Panel	<b>F</b> Shelf Panel
 1pc	 1pc	 3pcs
<b>G</b> Door	<b>H</b> Back Panel	<b>I</b> JCBC Bolt M6 x 16mm
 1pc	 1pc	 8pcs
<b>J</b> JCBC Bolt M6 x 35mm	<b>K</b> Spring Washer M6	<b>L</b> Flat Washer M6
 12pcs	 20pcs	 20pcs
<b>M</b> Allen Key M4	<b>N</b> Shelf Support	<b>O</b> Magnet
 1pc	 12pcs	 1pc

**P** Magnet Plate  
12 x 35mm



1pc

**Q** CSK Screw  
M3.5 x 12mm



13pcs

**R** Handle



1pc

**S** Handle Screw  
M4 x 22mm



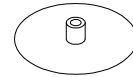
2pcs

**T** Panhead Screw  
M4 x 16mm



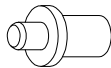
6pcs

**U** PVC Cover



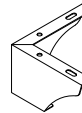
1pc

**V** Door Spring  
Ø8 x 20mm



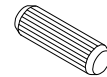
2pcs

**W** Metal Leg  
120 x 120 x 71mm



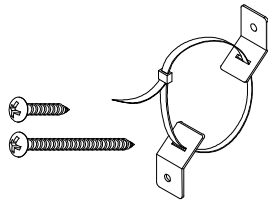
4pcs

**X** Wood Dowel  
Ø8 x 30mm

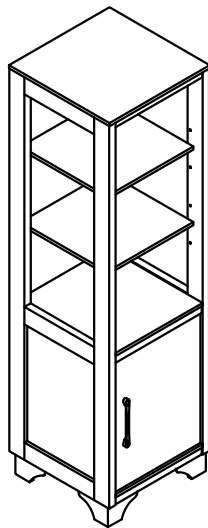


12pcs

**Y** Anti-Tipping Kit



1set



These pages list all the contents included in the box. Please take the time to identify the hardware as well as the individual components to this product. As you unpack and prepare for assembly, place the contents on a carpeted or padded area to protect them from damage.

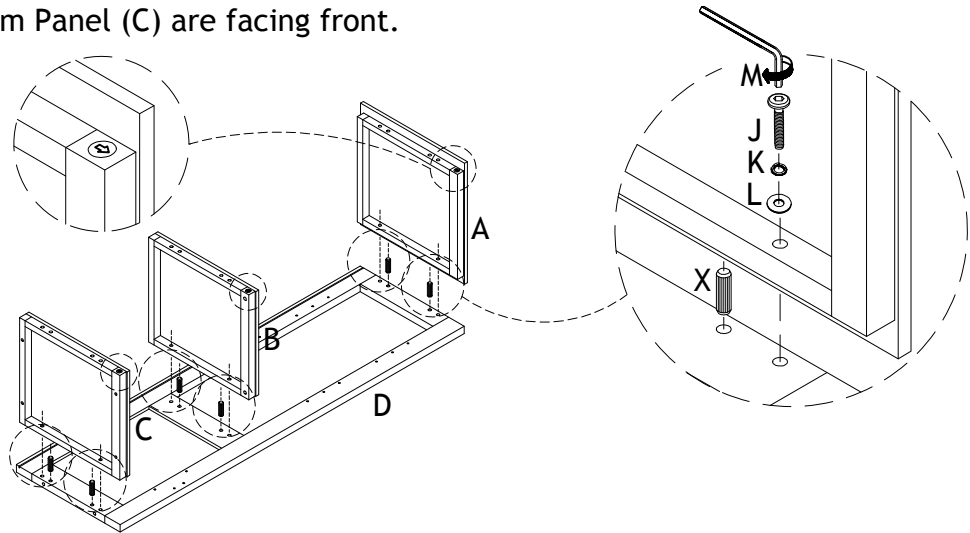
**IMPORTANT NOTE :**

1. Do not tighten all screws / bolts until all completely assembled.
2. Keep all hardware parts out of reach of children.

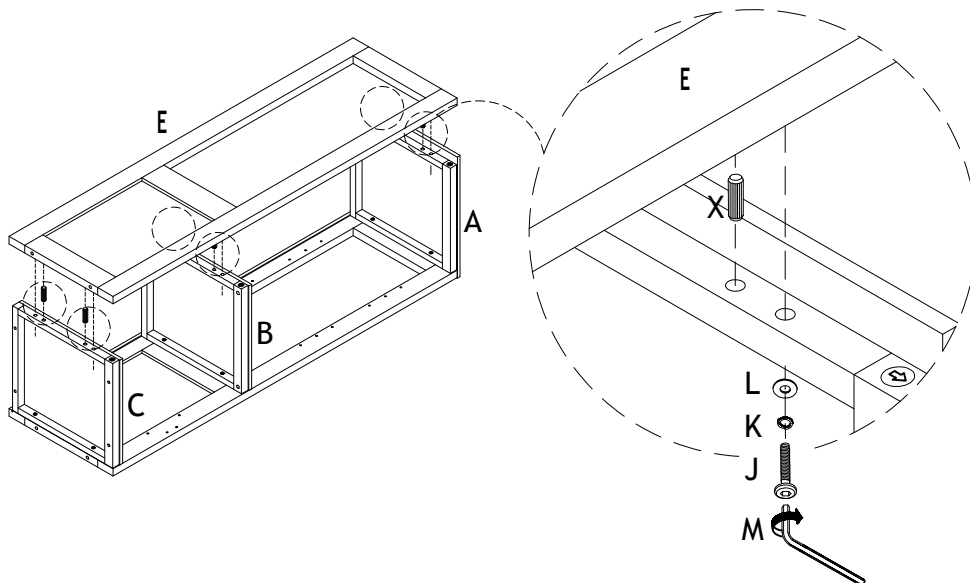
**1**

Attach Top Panel (A), Middle Panel (B) and Bottom Panel (C) to Right Side Panel (D) by inserting Wood Dowel (X) and tighten JCBC Bolt (J), Spring Washer (K) and Flat Washer (L) with Allen Key (M).

Please make sure the arrows on Top Panel (A), Middle Panel (B) and Bottom Panel (C) are facing front.

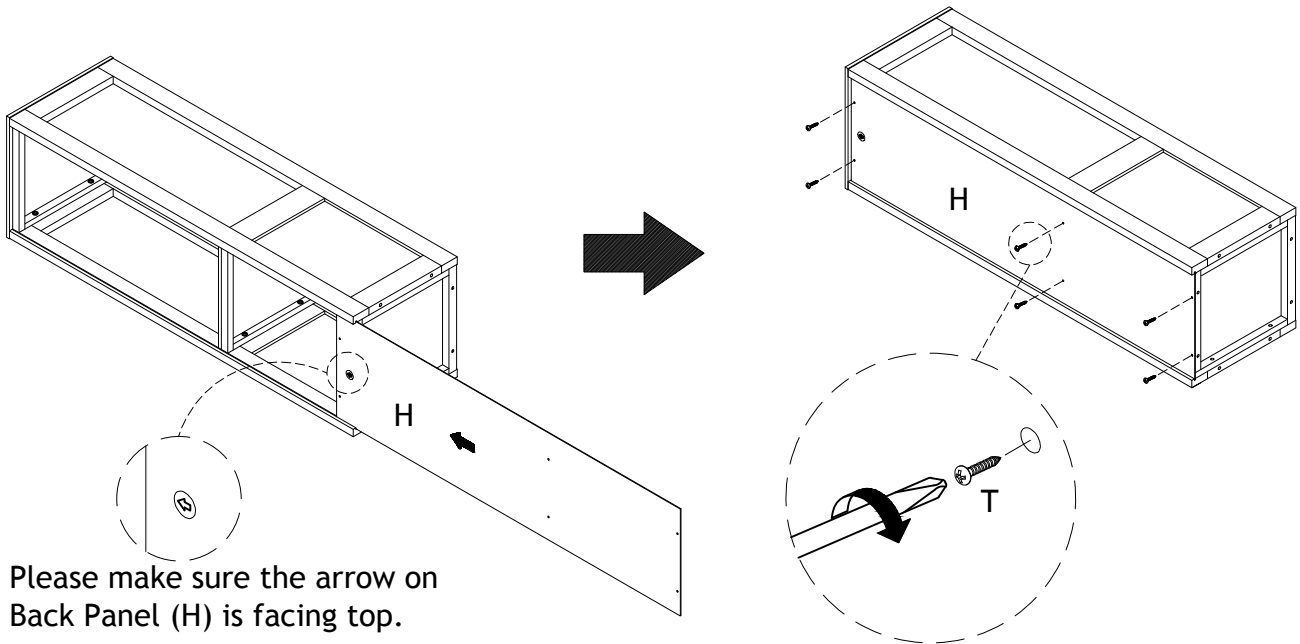
**2**

Attach Left Side Panel (E) to Top Panel (A), Middle Panel (B) and Bottom Panel (C) by inserting Wood Dowel (X) and tighten JCBC Bolt (J), Spring Washer (K) and Flat Washer (L) with Allen Key (M).

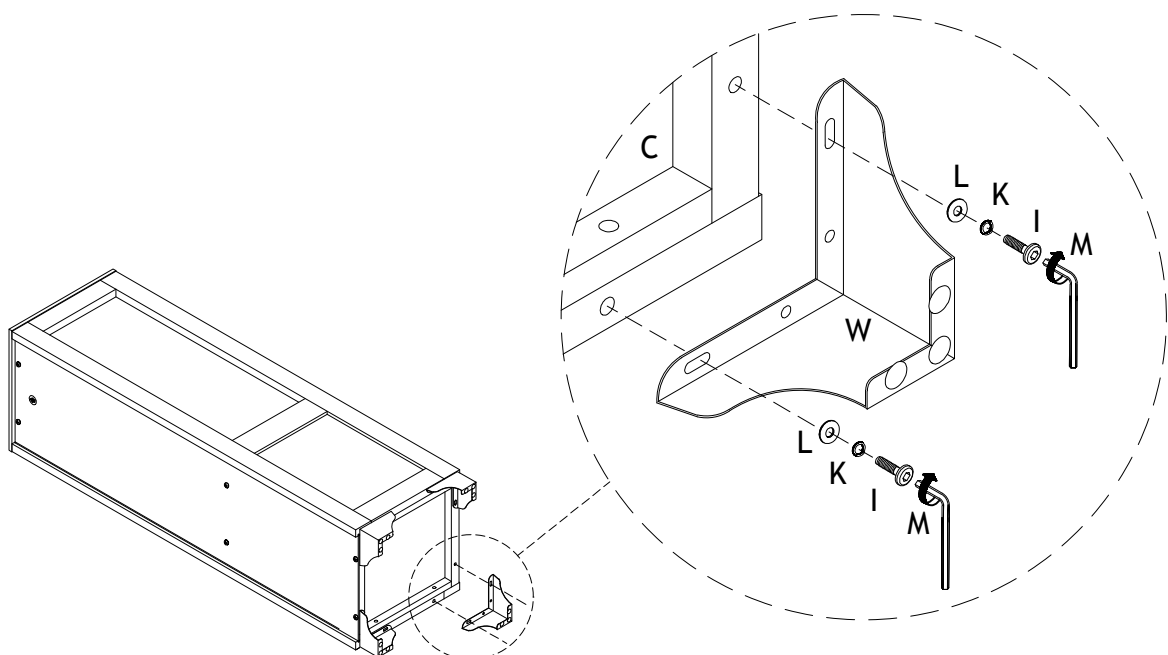


**3**

Slot in Back Panel (H) to the grooves of the unit and tighten Panhead Screw (T) with screwdriver (not provided).

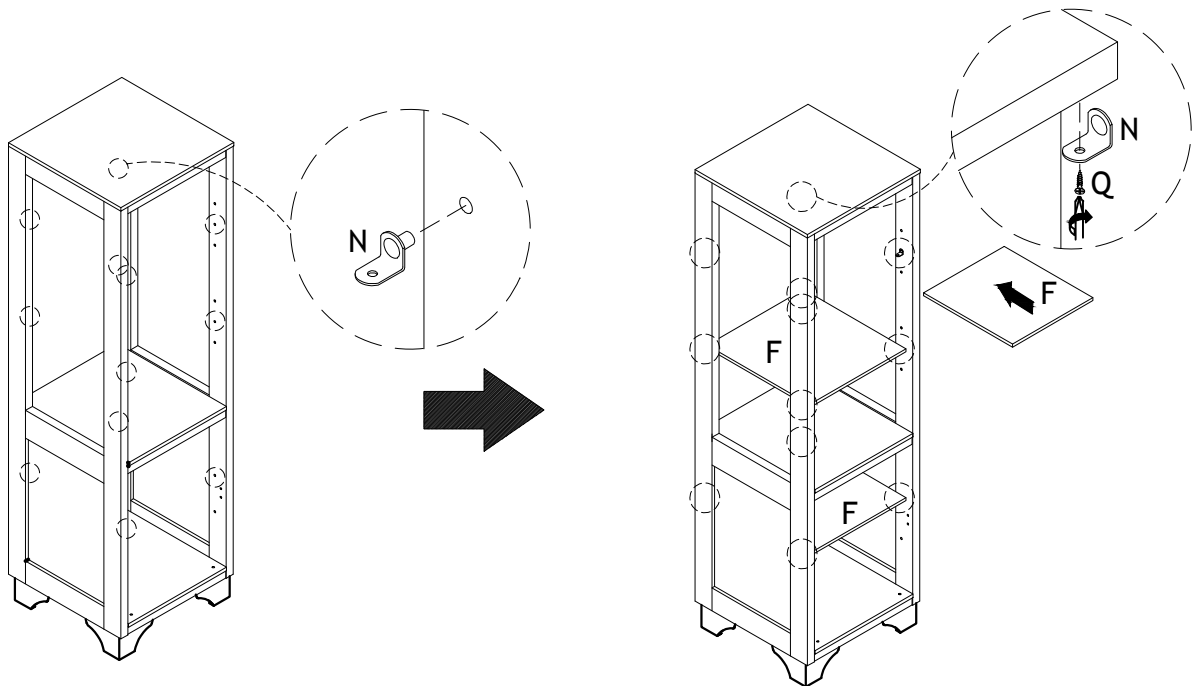
**4**

Attach Metal Leg (W) to Bottom Panel (C) and tighten JCBC Bolt (I), Spring Washer (K) and Flat Washer (L) with Allen Key (M).

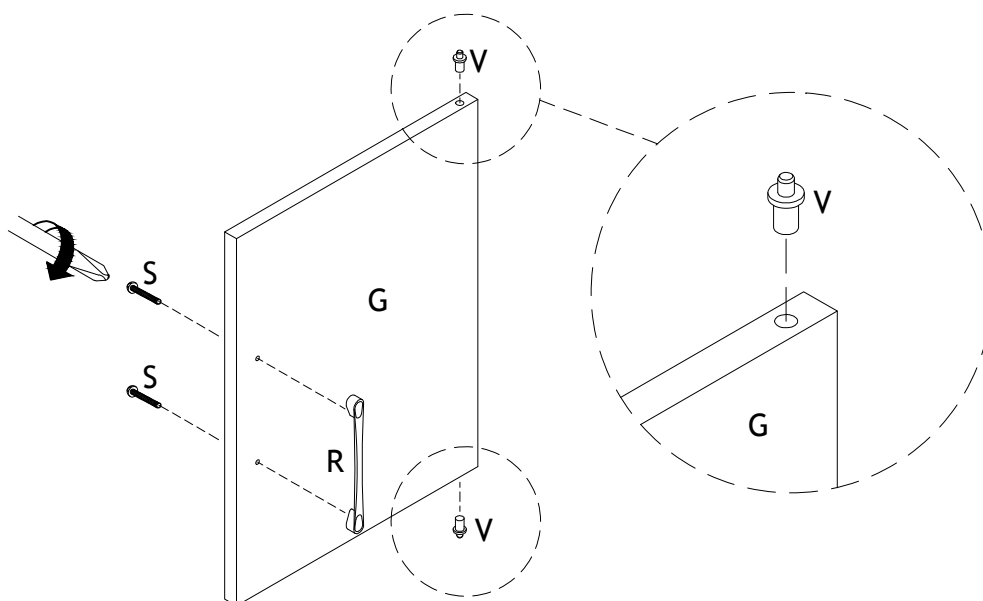


**5**

Attach Shelf Support (N) to the assembled unit and adjust to the best position. Then attach Shelf Panel (F) to Shelf Support (N) and tighten CSK Screw (Q) with screwdriver (not provided).

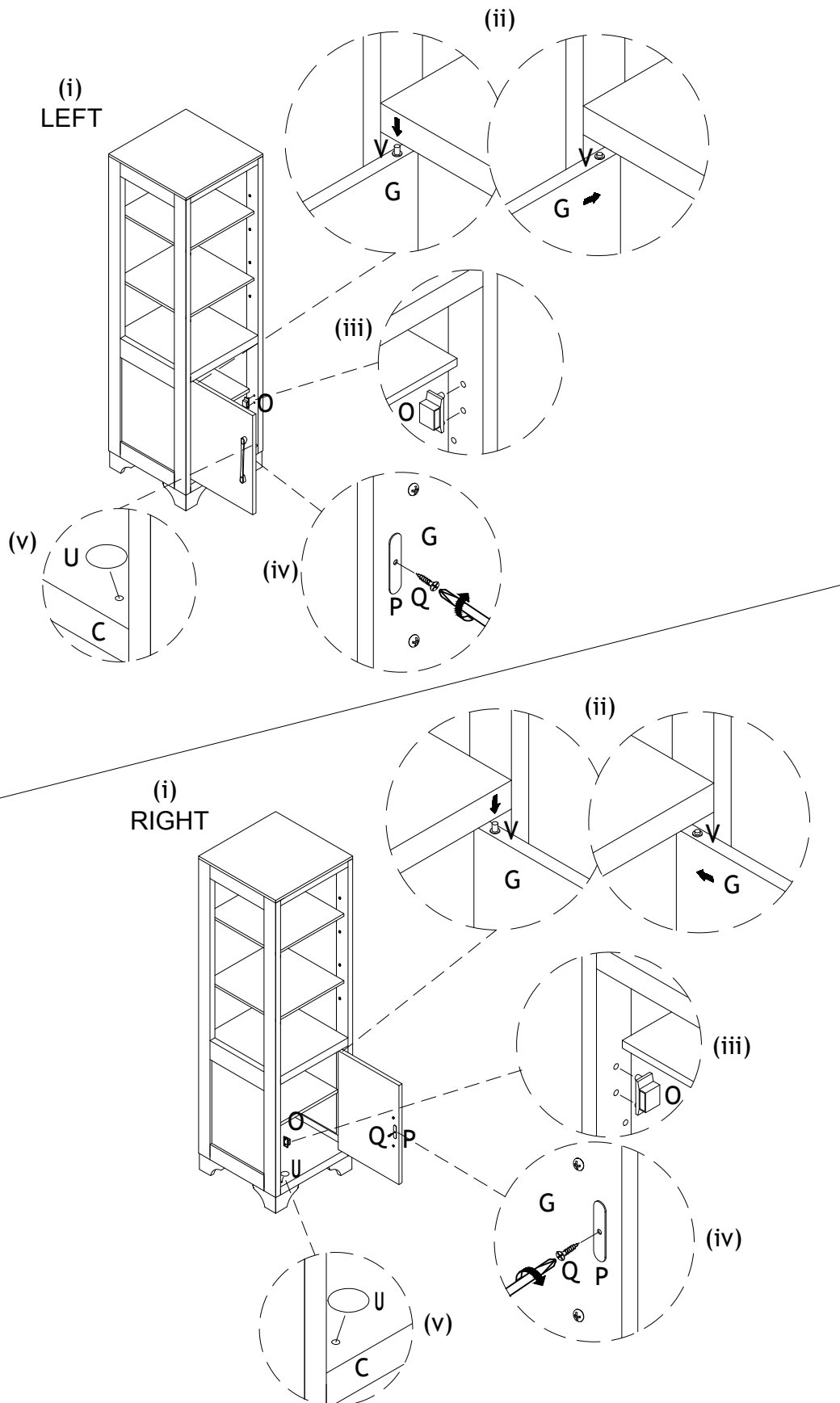
**6**

Attach Handle (R) to Door (G) and tighten Handle Screw (S) with screwdriver (not provided). Then attach Door Spring (V) to Door (G).



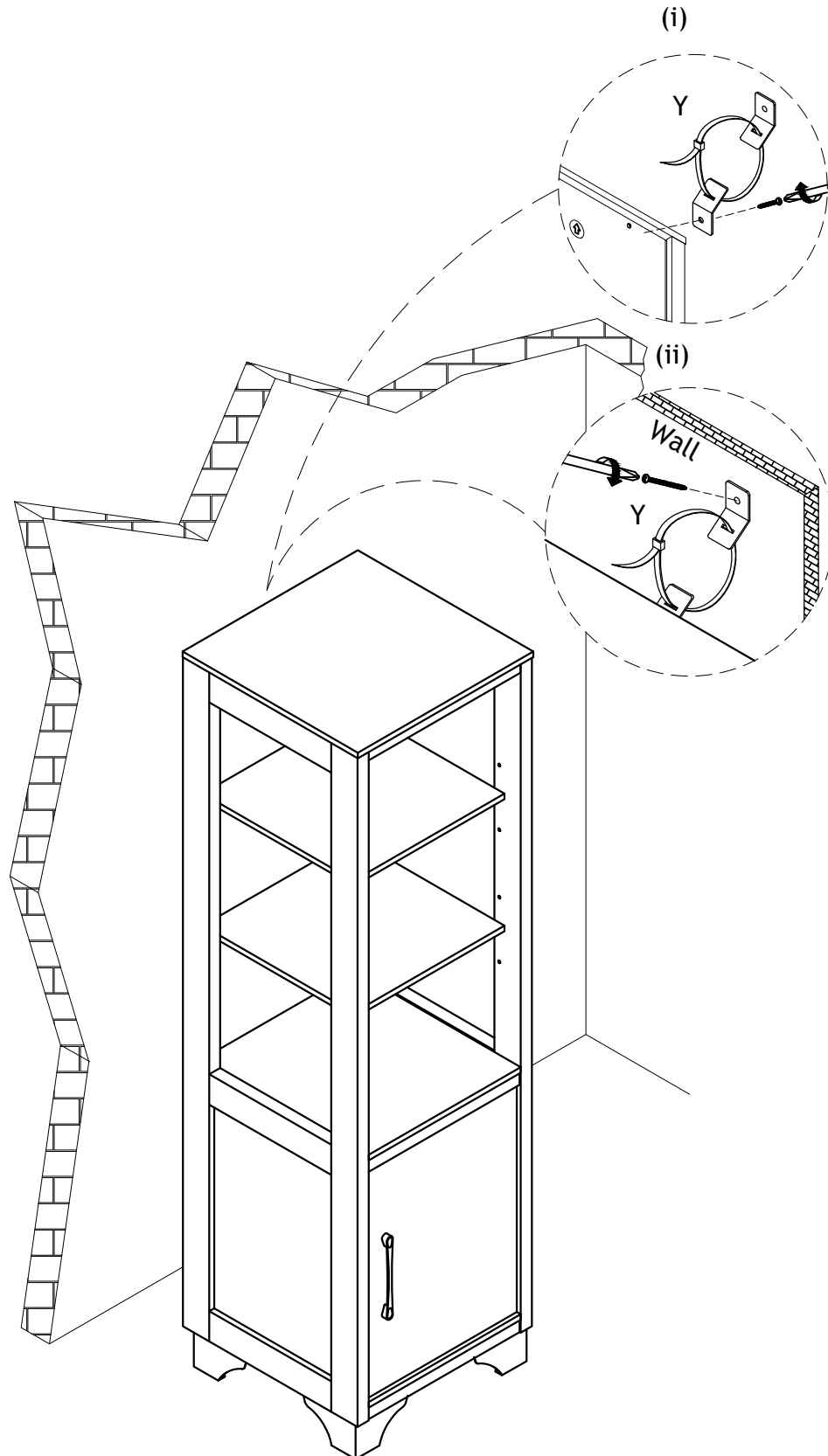
# 7

- (i) Door (G) can be assembled at Left or Right. Please choose the side.
- (ii) Attach Door (G) to the Side Tower using Door Spring (V).
- (iii) Attach Magnet (O) to the Side Tower.
- (iv) Attach Magnet Plate (P) to Door (G) and tighten CSK Screw (Q) with screwdriver (not provided).
- (v) Attach PVC Cover (U) to the hole on the Bottom Panel (C).



**8**

- (i) Attach Anti-Tipping Kit (Y) to back of Side Tower and tighten short screw with screwdriver (not provided).
- (ii) Attach the other side of Anti-Tipping Kit (Y) to wall and tighten long screw with screwdriver (not provided).



#### Cleaning & Care

Treat surface with care. Surface is resistant to scratches but is not scratch resistant. Clean surfaces with a dry or damp soft cloth. Do not use abrasive cleaners. Hardware may loosen over time. Periodically check that all connections are tight.