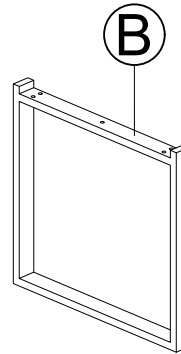
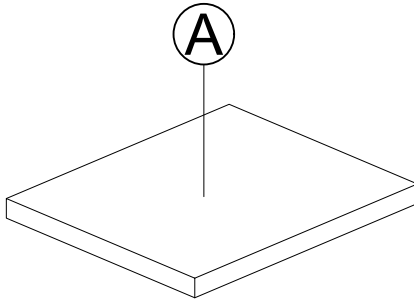


ARIELA SIDE TABLE ASSEMBLY INSTRUCTIONS



PARTS PACKING CONFIGURATIONS

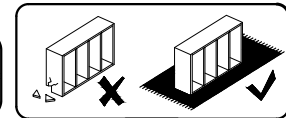
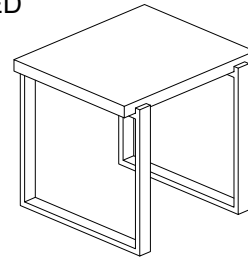
A.TOP 1PC
B.LEG 2PCS



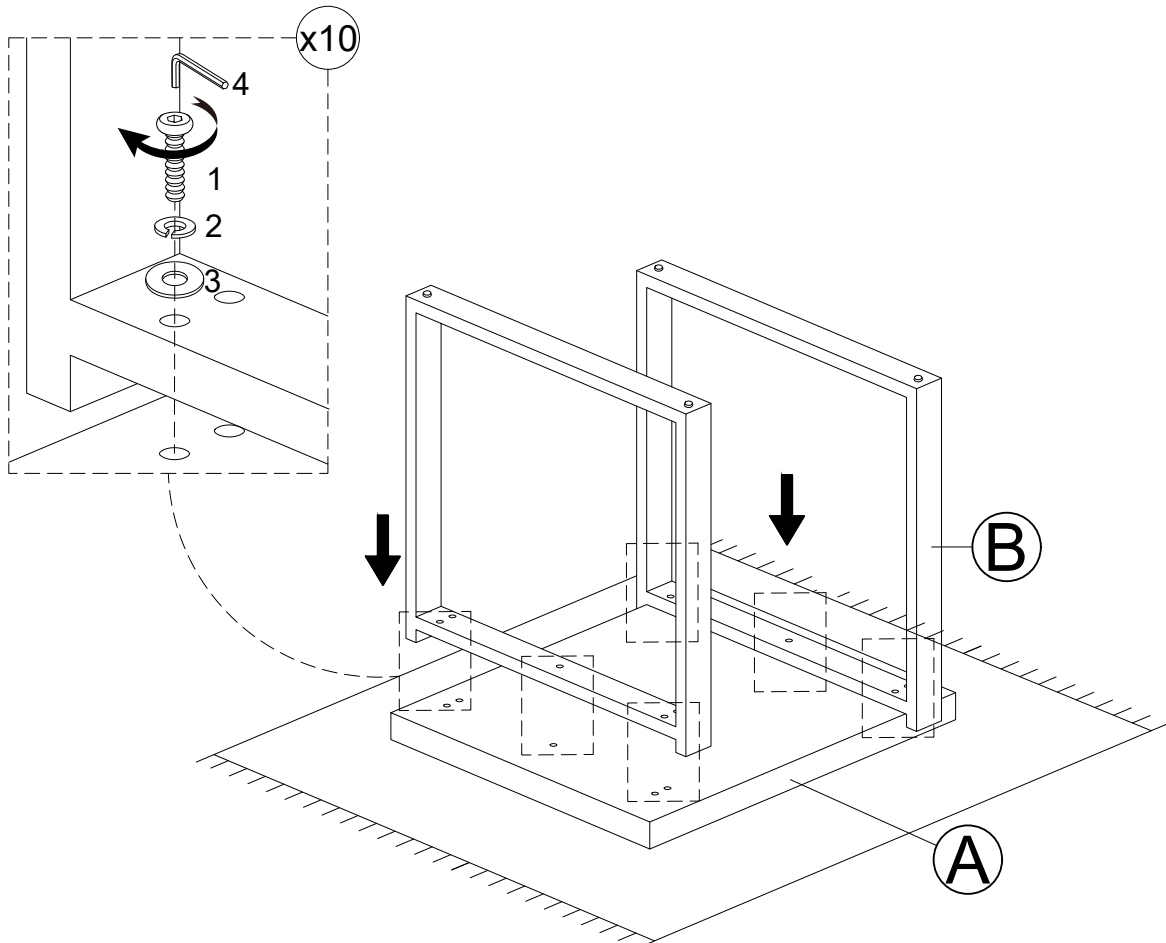
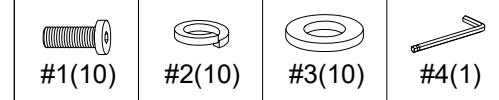
HARDWARE KIT PACKED IN BOX

| No. | DESCRIPTION | IMAGE | Q'TY |
|-----|-------------------------|-------|-------|
| 1 | ALLEN BOLT(1/4"x1-1/2") | | 10PCS |
| 2 | LOCK WASHER(1/4") | | 10PCS |
| 3 | FLAT WASHER(1/4") | | 10PCS |
| 4 | ALLEN KEY(4mm) | | 1PC |

FULLY ASSEMBLED



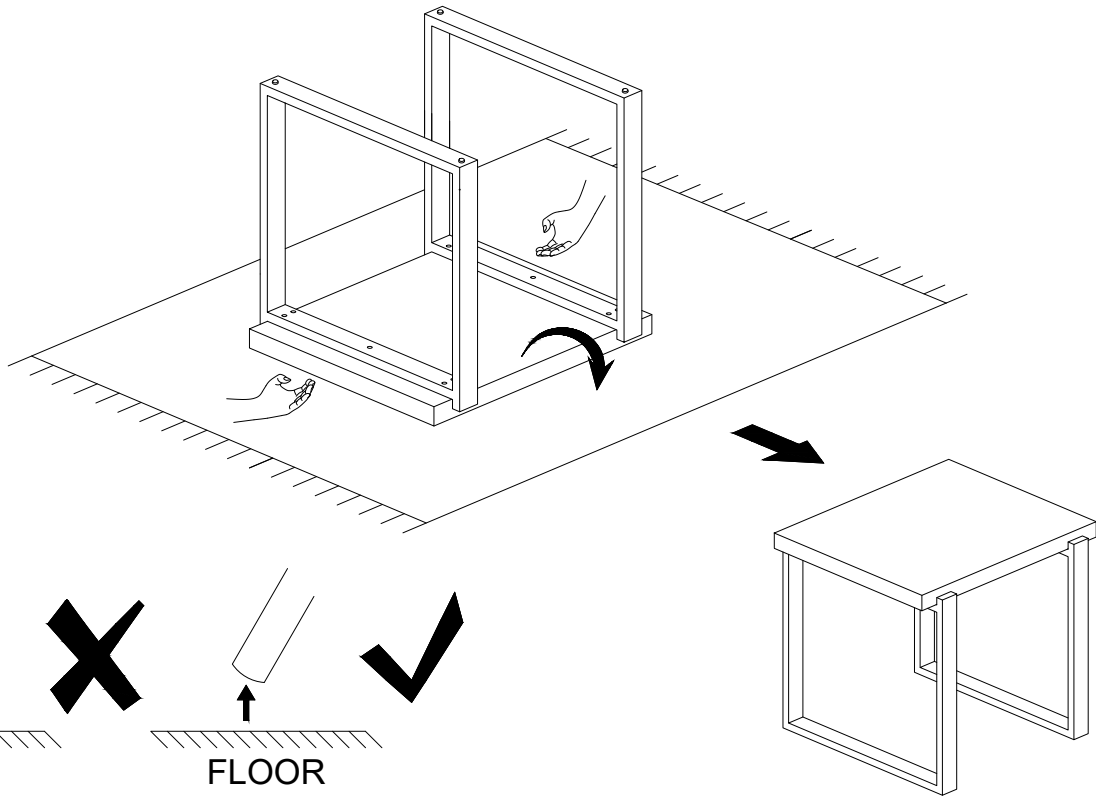
Step 1:



ARIELA SIDE TABLE ASSEMBLY INSTRUCTIONS



Step 2:



ASSEMBLY COMPLETE

