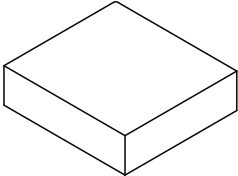
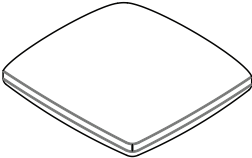
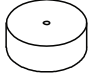


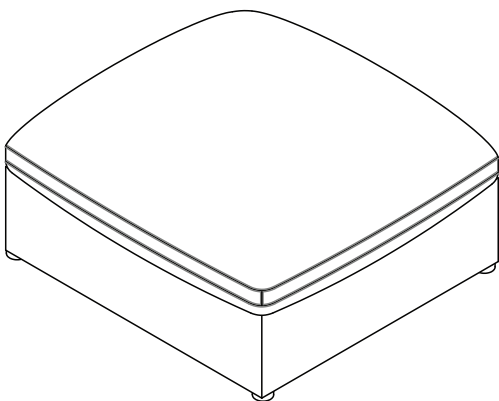


ASSEMBLY INSTRUCTION

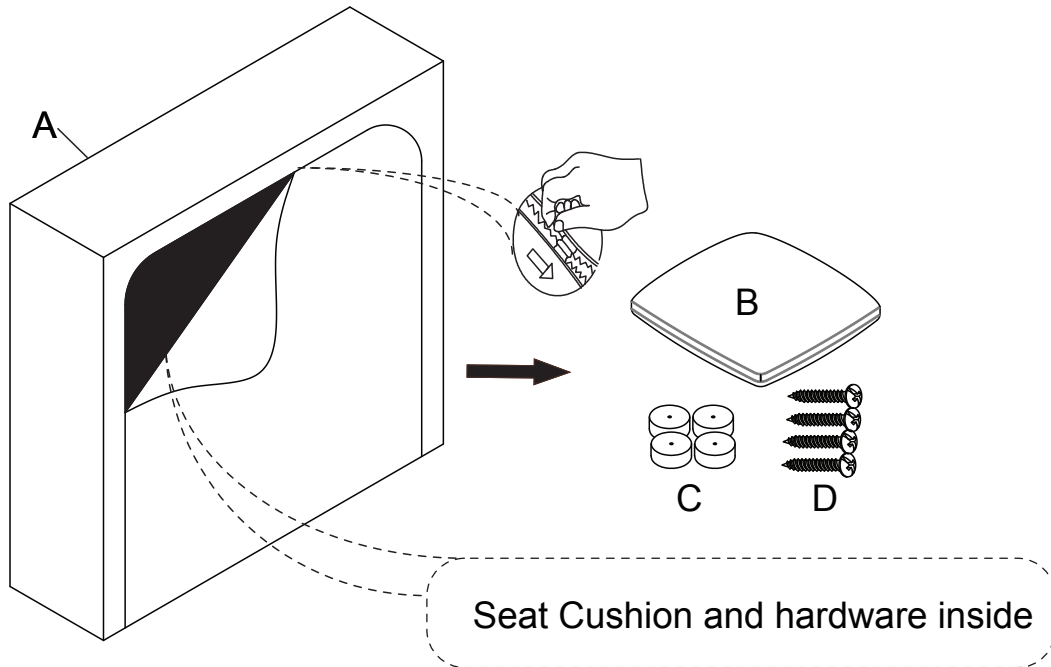
OTTOMAN

A Seat Frame	B Seat Cushion	C Leg
 1pc	 1pc	 4pcs
D Screw Φ5/32"x2"	E Screwdriver (Not provided)	
 4pcs	 1pc	

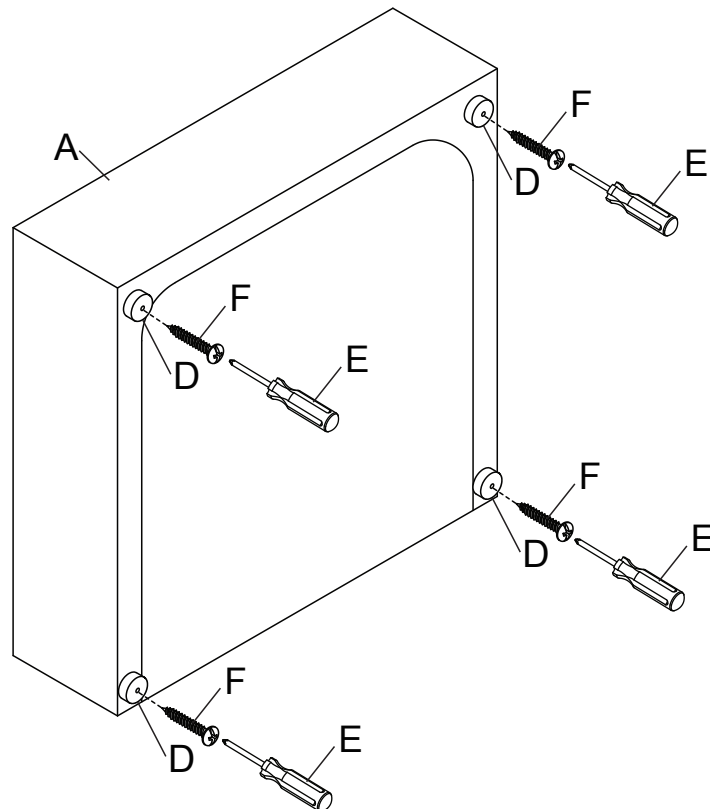


This page lists all the contents included in the box. Please take the time to identify the hardware as well as the individual components to this product. As you unpack and prepare for assembly, place the contents on a carpeted or padded area to protect them from damage.

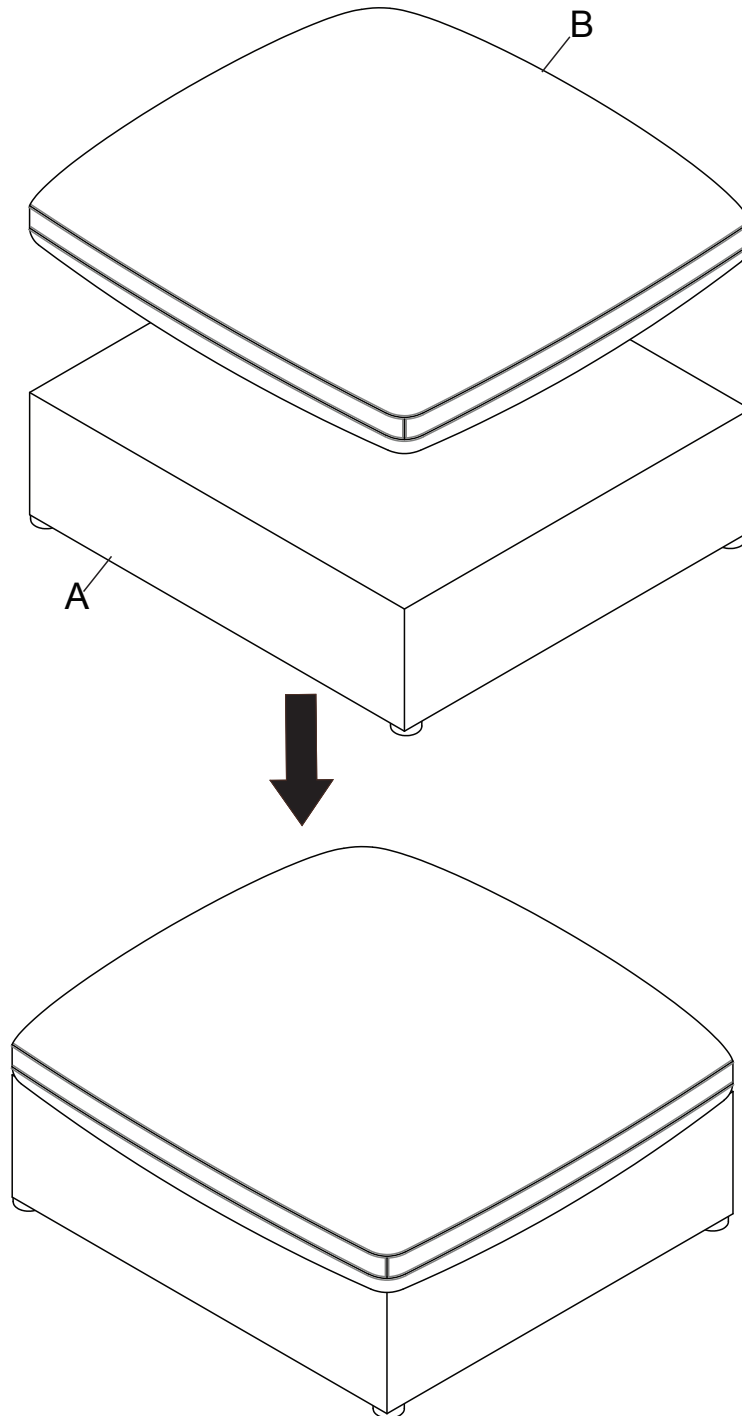
- 1 Put the Seat Frame (A) on a smooth flat surface and please flip over the Seat Frame (A), then take out the Seat Cushion (B) & Leg (C) & Screw (D) from the bottom of it.



- 2 Please flip over the Seat Frame (A) on a smooth flat surface. Attach the Leg (C) to it using Screw (D) by Screwdriver (E) as below shown.



3 Put the Seat Cushion (B) on Seat Frame (A) as below shown.

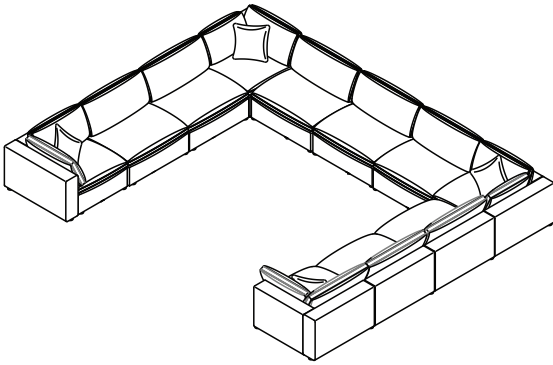


Cleaning & Care

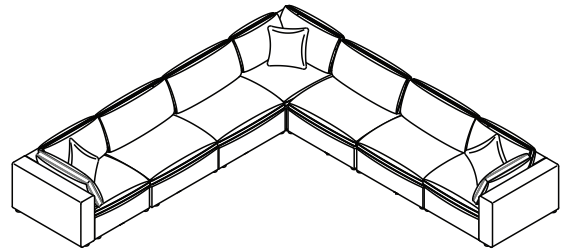
Treat surface with care. Surface is resistant to scratches but is not scratch resistant. Clean surfaces with a dry or damp soft cloth. Do not use abrasive cleaners. Hardware may loosen over time. Periodically check that all connections are tight.

MORE SELECTION STYLE

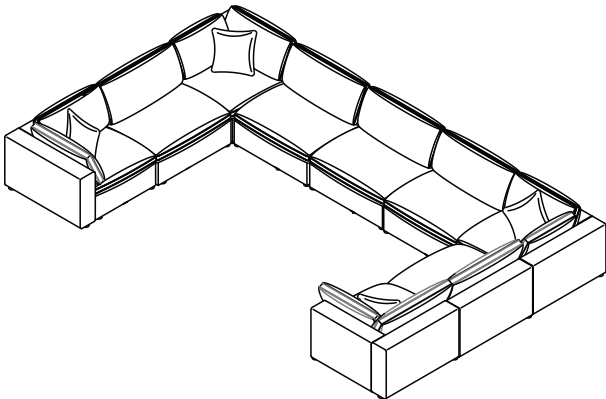
11 Seater U Shape Sectional



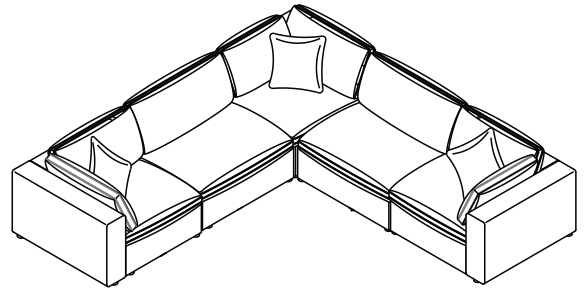
7 Seater L Shape Sectional



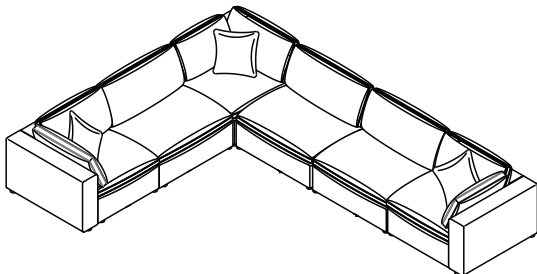
9 Seater L Shape Sectional



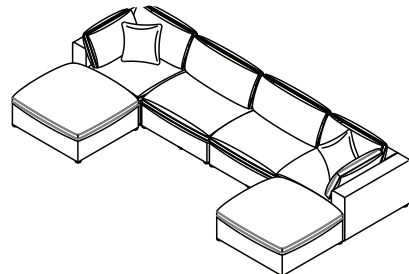
5 Seater L Shape Sectional



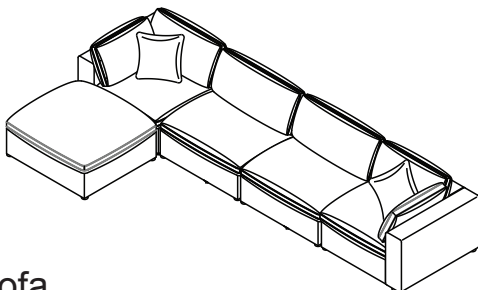
6 Seater L Shape Sectional



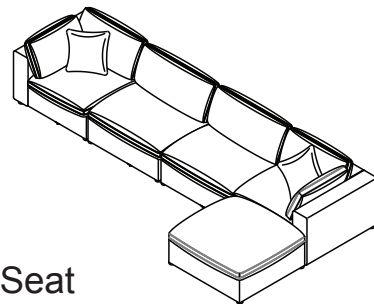
U Shape with 2 Ottoman



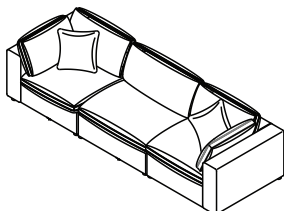
Chaise Sectional with 1 Ottoman



Chaise Sectional with 1 Ottoman



Sofa



LoveSeat

