



Assembly & Installation Instructions

CAUTION: Read instructions carefully and turn electricity off at main circuit breaker panel before beginning installation.

3821

WARNING - If any Special Control Devices are used with this Fixture, Follow the Instructions Carefully to assure full compliance with N.E.C. requirements. If there are any questions, contact a Qualified Electrical Contractor.

CAUTION - All glass is fragile, use care when handling Glass component(s) and or Lamp(s).

WARNING - This product contains chemicals known to the State of California to cause cancer, birth defects and /or other reproductive harm. Thoroughly wash hands after installing, handling, cleaning, or otherwise touching this product.

ASSEMBLY STEPS:

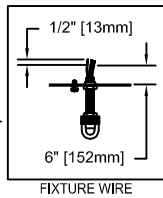
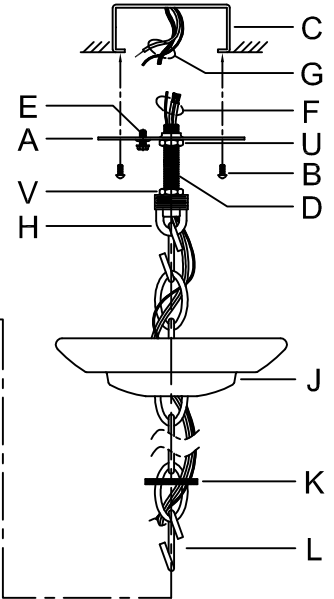
PASOS PARA ENSAMBLAR:

MODE D'ASSEMBLAGE:

1. D,E → A
2. B,A → C
3. U,V,H → D
4. V → H
5. F → M
6. M → N
7. L → M
8. K,J → L
9. L → H
10. F → L,K,J,H,D
11. F → G
12. Q,R → P
13. S,T → P

B, C, G & T
(NOT FURNISHED)
(NO INCLUIDA)
(NON FOURNIE)

TO LOCK
APRETAR
À VERROUILLER



ADJUST HEIGHT WITH "D"
T → A (TO LOCK)

AJUSTAR LA ALTURA CON "D"
T → A (APRETAR)

RÉGLEZ LA HAUTEUR AVEC "D"
T → A

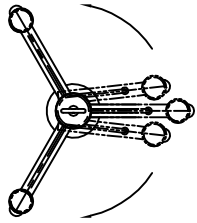
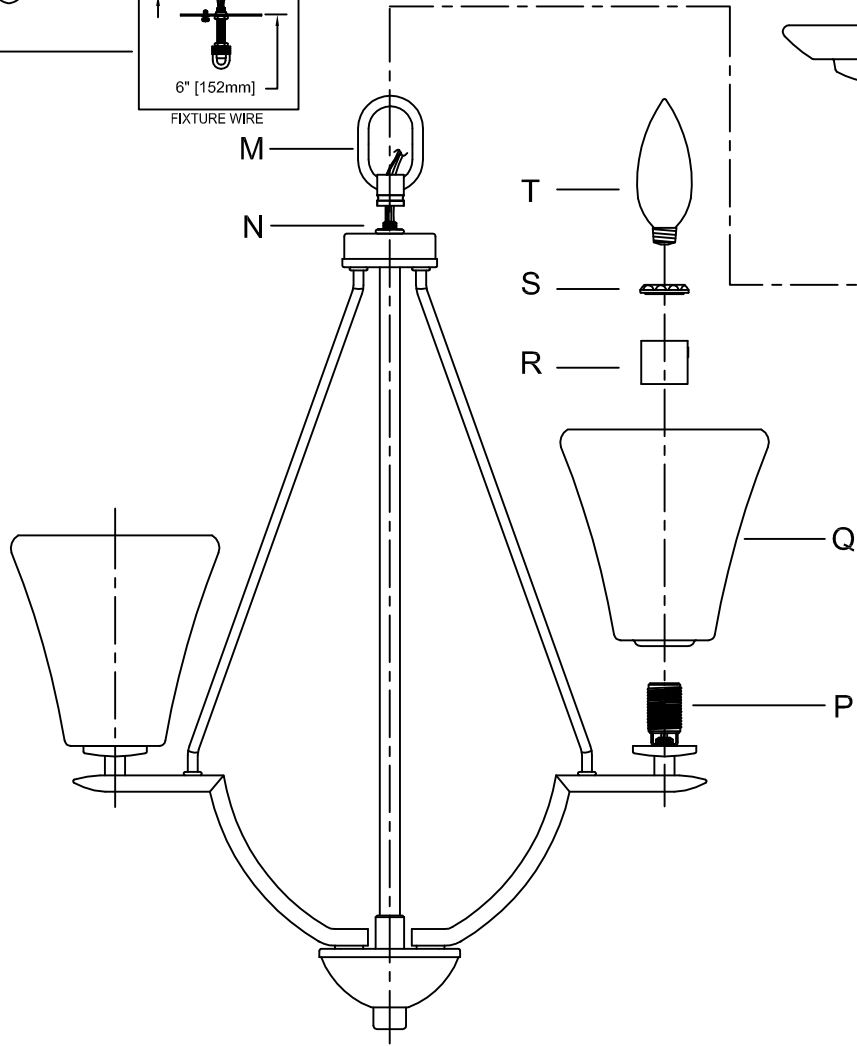
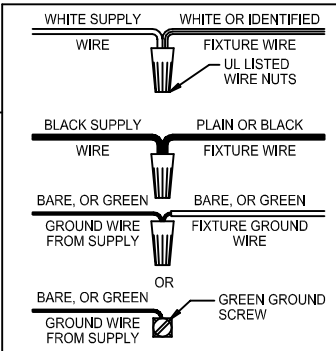


DIAGRAM - A

- Adjust Arms, if required, as shown in diagram A.
- Ajuste los brazos, como necesario, según el diagrama A.
- Ajustez les branches, comme nécessaire, selon le diagramme A.