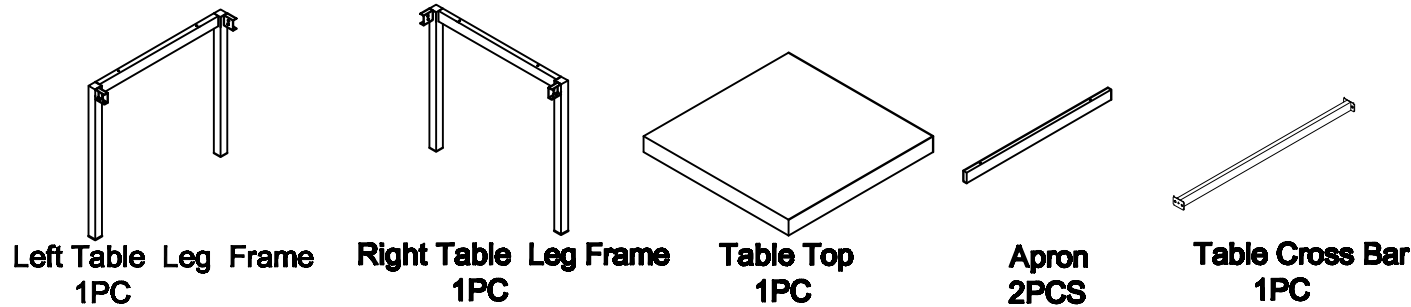



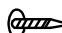

# ASSEMBLY INSTRUCTION

## COUNTER HEIGHT TABLE, FAUX MARBLE TOP

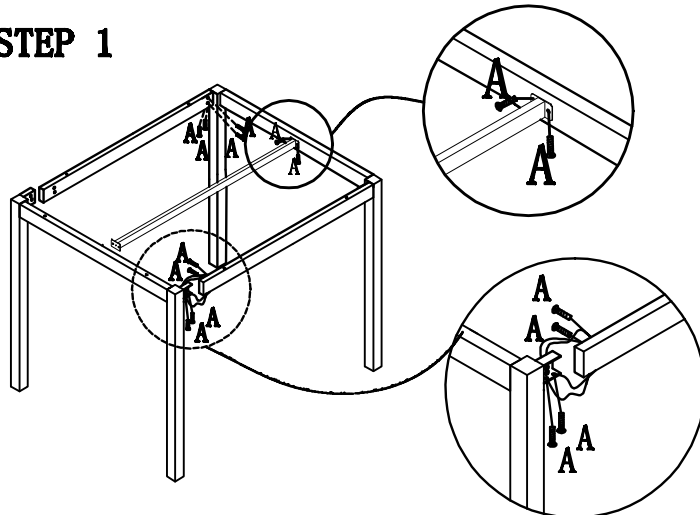
### PART LIST:



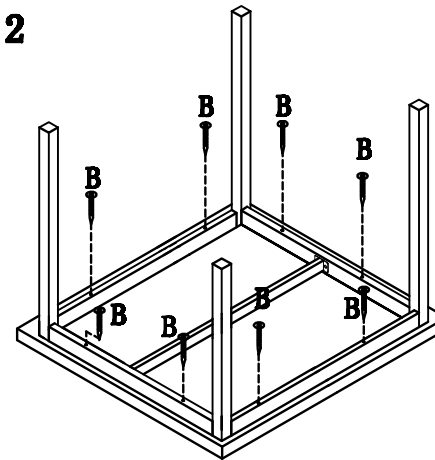
### HARDWARE LIST

HARDWARE LIST				
A		Bolt	1/4**16mm	20pcs
B		Screw	5m*70mm	8pcs
C		L-Allen Key	4mm	1pc

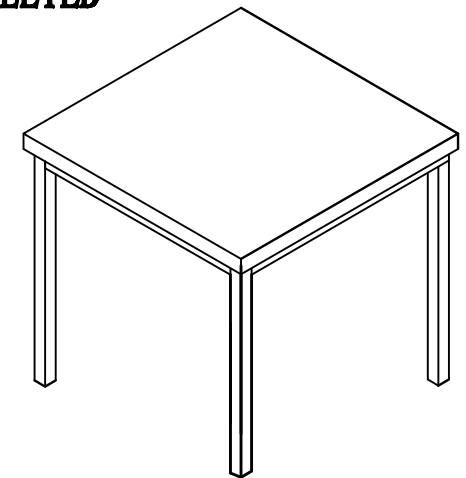
### STEP 1



### STEP 2



### COMPLETED

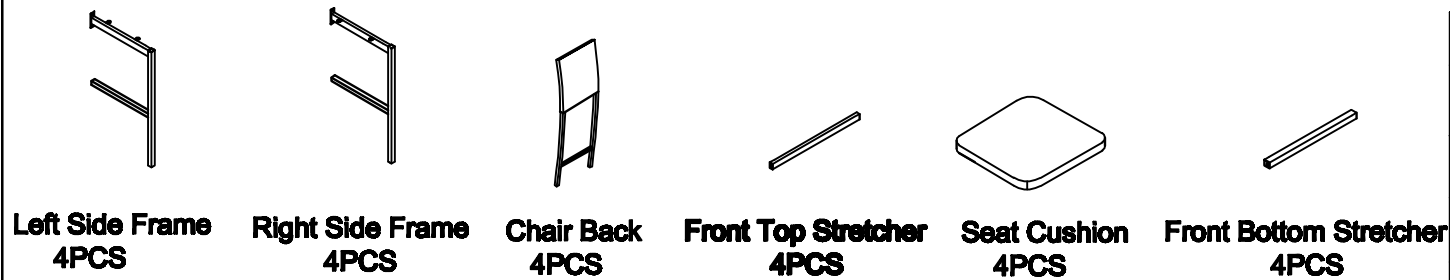


- (1) Align the table leg frame to apron and table cross bar, and tighten them with bolts.
- (2) Place the table top on the smooth and stable carpeted or padded surface. Tighten the apron to table top with screws.

# ASSEMBLY INSTRUCTION

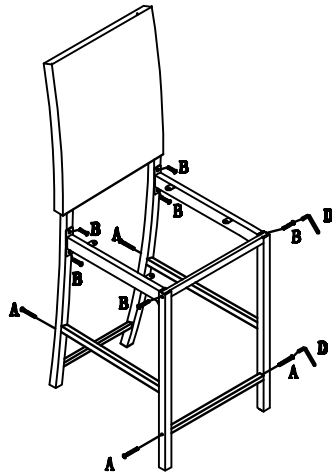
## COUNTER HEIGHT CHAIR

### PART LIST:

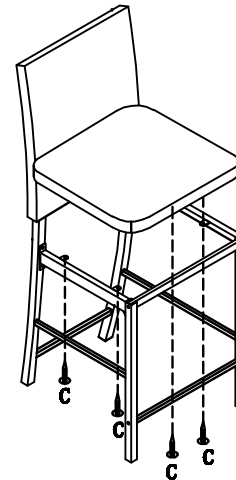


HARDWARE LIST				
A		Long Bolt	1/4**38mm	16pcs
B		Long Bolt	1/4**19mm	24pcs
C		Screw	M5*20mm	16pcs
D		L-Allen Key	4mm	1pc

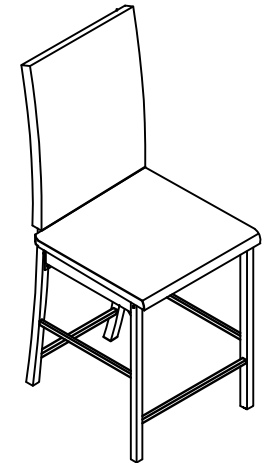
### STEP 1



### STEP 2



### COMPLETED



- (1) Align both side frames to the chair back, attach front top and bottom stretchers to the side frame, insert the bolts to the pre-drilled holes and tighten it.
- (2) Attach the seat cushion to the seat, insert the screw then tighten it.