

Alissa (#249)

61" x 36" x 22.5"

GENERAL SPECIFICATIONS:

Material - SculptureStone®

Installation - Freestanding

May also be undermounted. Must specify on order.

Not recommended as a tub / shower combination.

Soaker Weight - 230 lbs / 98 kg

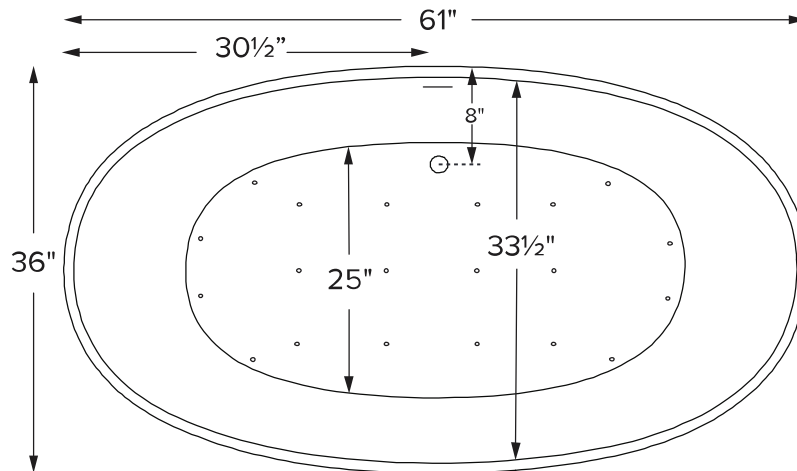
Air Bath Weight - 275 lbs / 132 kg

Maximum Fill - 86 gal to overflow

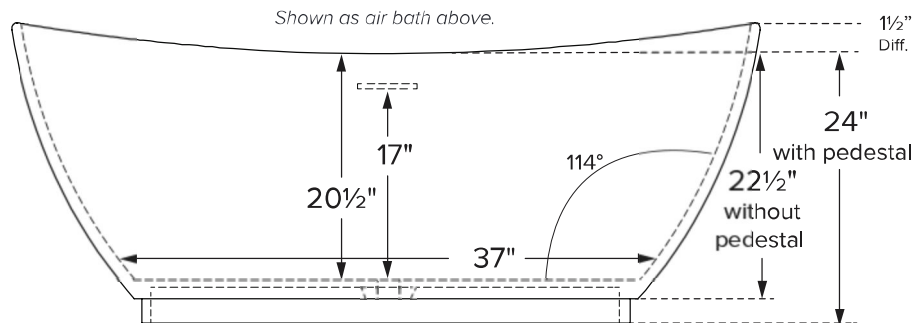


Shown above as soaking bath without pedestal

NOTE: Filling this tub to the maximum may require an above average size or dedicated water heater.



Note: Pedestal Base increases the overall height of the tub and comes standard on this model as an air bath.



Shown as air bath above.

ELECTRICAL SPECIFICATIONS

Required Electrical Service - 110 Volt

Air Bath - 1-15 amp GFCI

CSA Certified C/US; ANSI Z124.1

IMPORTANT ORDERING & INSTALLATION INFORMATION:

- Includes an integrated slotted overflow, requiring onsite installation of provided toe tap drain kit. May also be specified without an overflow (see local codes).
- Air baths require job site preparations for remote mounting the blower and required check valve. Check valve must be installed higher than the rim of the tub. The keypad is shipped loose and may be mounted on a nearby wall or decking. A waterproof remote control is also included. Please read installation manual prior to ordering.
- Requires use of a wall-mounted or freestanding tub filler.
- Measurements are + 1/2" and are subject to change without notice.
- Options and accessories are packaged inside the tub crate for delivery.
- Data herein supersedes all prior to publication date shown below.

See the "Boutique Collection Tubs Installation & Operation Manual" included with tub delivery or go to: mtibaths.com/support/installation for all the information necessary to install and operate the tub. MTI's Customer Service Department is available Monday-Friday 8am-6pm EST at 800-783-8827 or service@mtibaths.com to answer any questions pertaining to ordering or installation.

