

HEKMAN

ASSEMBLY INSTRUCTIONS

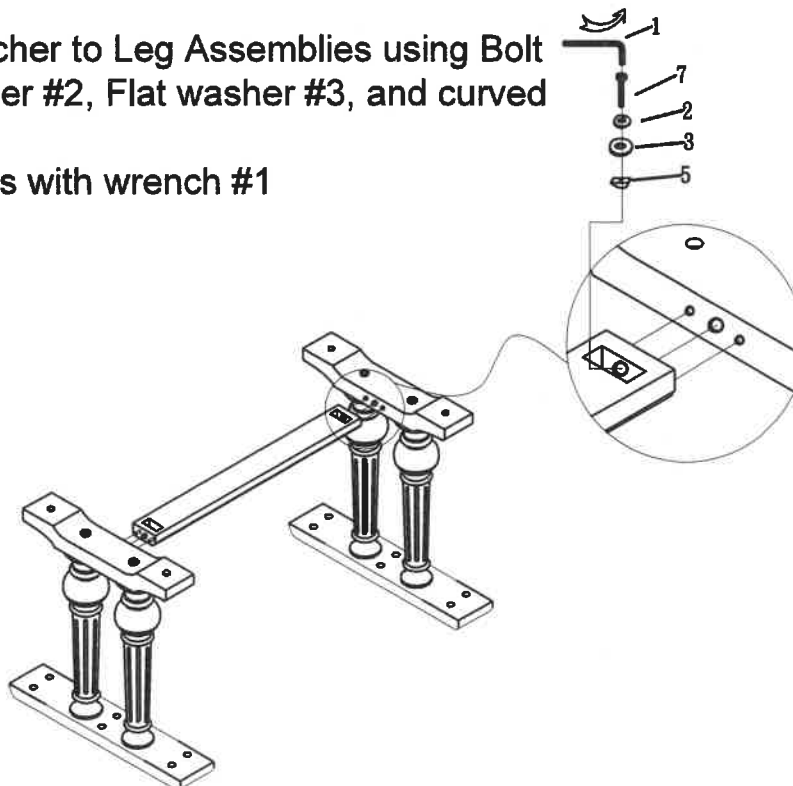
23340-Wellington Hall Captains Desk

A HOWARD MILLER COMPANY

HARDWARE LIST				
NO.	DESCRIPTION	SKETCH	DIMENSION	Q'TY
1		ALLEN KEY	5MMxL75mm	1pc
2		SPRING WASHER	Ø5/16"	14pcs
3		FLAT WASHER	Ø5/16" (19mm)	14pcs
4		BOLT	Ø5/16" x 37mm	12pcs
5		CURVED WASHER		2pcs
6		BOLT	5/32 x 12mm	2pcs
7		BOLT	Ø5/16" x 57mm	2pcs

Step 1

- 1> Attach stretcher to Leg Assemblies using Bolt #7 , Lock washer #2, Flat washer #3, and curved washer#5
- 2> Tighten bolts with wrench #1



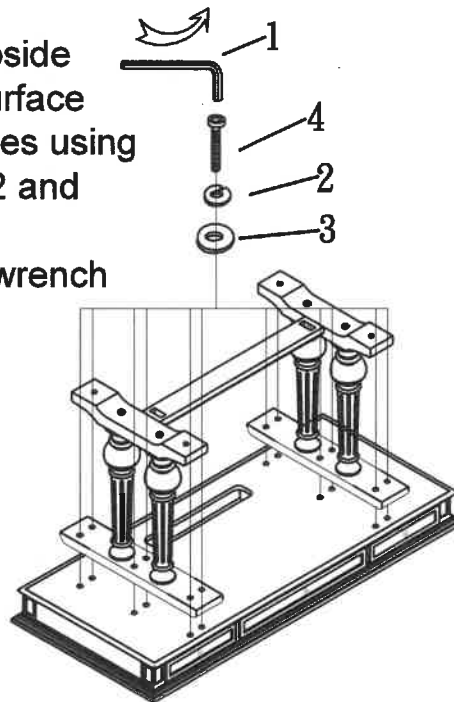
MADE IN VIETNAM

HEKMAN

ASSEMBLY INSTRUCTIONS

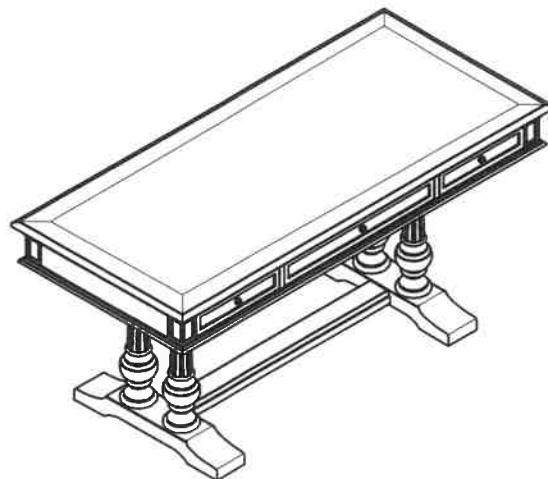
23340-Wellington Hall Captains Desk

- 1> Lay top assembly upside down on a soft clean surface
- 2> Attach Leg assemblies using Bolt #4, Lock washer #2 and Flat washer #3
- 3> Tighten Bolts with wrench #1
- 4> Set Desk up right



Step 2

Step 3



MADE IN VIETNAM