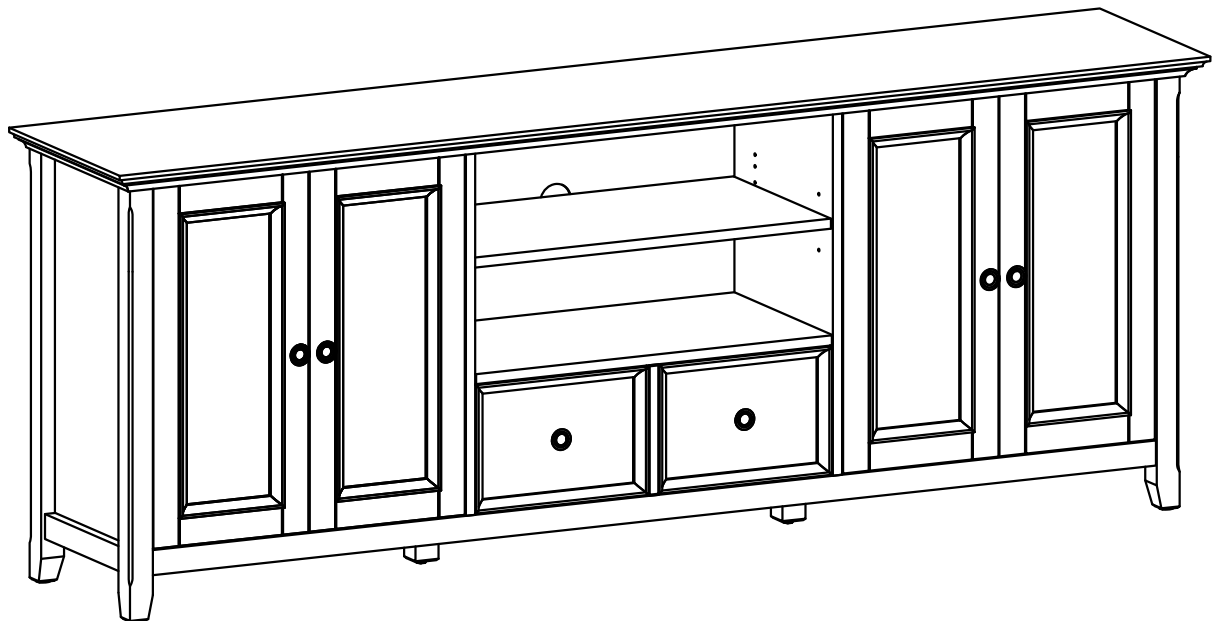


# SIMPLIHOME®

## Amherst / Halifax / Washington

84W Storage Cabinet with Drawers, Doors and Shelves

Model # AXCAMH84TV-XXX



# SIMPLIHOME®

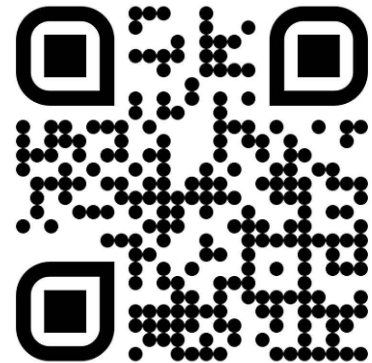
## Claim Your Free Gift

### Your opinion pays: Earn a gift!

Review your purchase and receive a gift.\* It could be a gift card, Simpli Rewards points, or another special reward.



**CLAIM YOUR REWARD NOW!**



[simpli-home.com/get-free-gift](https://simpli-home.com/get-free-gift)



*\*Offer valid for reviews posted within 30-days of purchase.*

# SIMPLIHOME®

## For Fastest Customer Service:



1. Open your phone's camera.
2. Point your phone's camera at the QR code to scan.
3. Click on the pop up.
4. You'll be taken to our customer service page.
5. Fill the form with your order information and issue.
6. Submit form.
7. A customer service associate will contact you.

### Other ways to contact us...



#### Email Us

[customerservice@simpli-home.com](mailto:customerservice@simpli-home.com)



#### Visit Us

Visit our site directly at  
[www.simpli-home.com](http://www.simpli-home.com)



#### Call Us

1-866-518-0120  
Monday to Friday  
9am to 5pm EST

**\*If you've purchased from a retailer and you wish to return the product, please contact the retailer directly.**

**IMPORTANT** : Please read this manual carefully before beginning assembly of this product. Keep this manual for future reference.

## **Safety Information**

**CAUTION:** Injuries and damage can occur from furniture tip over if product is not properly anchored to the wall. Use the Furniture Anti-Tipping Restraint provided with the product. Consult our assembly instructions for help.

If the Furniture Anti-Tipping Restraint kit is not in the box, please contact our customer service department in order to obtain another kit before using the furniture.

Identify all the parts and hardware. Do not discard of the packaging until you have checked that you have all of the parts and hardware required. Hardware package may have spare parts.

**WARNING:** This item contains small parts which can be swallowed by children and pets. Keep children and pets away during assembly. To avoid danger of suffocation, always keep plastic bags away from children and pets. We recommend that you assemble this unit on a carpeted floor to avoid scratches. If using power tools, set the tool to low torque to avoid damage.

**May require 2 people for ease of assembly.**

## Care & Maintenance

**This furniture is designed for indoor use.**

Perhaps the greatest environmental damage to wood furniture comes from wide swings in relative humidity (RH) in our homes. Wood absorbs and desorbs water as relative humidity rises and falls, and in doing so it swells and shrinks. Making matters worse, it expands and contracts unequally along different grain directions. As humidity changes, the components of wooden objects are continually pushing and pulling against each other. This pressure often results in parts of furniture no longer fitting together closely or becoming distorted or breaking from their own internal stresses.

The response to relative humidity changes begins with determining the annual average RH for your particular space. Then try to keep the RH in the space where your furniture is as close to that average as possible, generally within about 10% up or down. De-humidify in the summer and humidify in the winter.

Be aware that raising the temperature lowers the humidity and vice versa. Thus, modern heating systems, which can drive down interior RH in the winter, almost invariably cause problems for furniture. To counteract their effect, you can either modify the RH by keeping furniture containing spaces cooler in the winter or most importantly, have a good working humidifier for your home. A humidistat automatically works to balance the humidity in your home so it is constant. Dry indoor air can suck enough moisture from its surroundings to do permanent damage to wood, causing it to crack or split.

Remember, that not all woods are created equal. Two factors that help determine how rapidly a wood will lose moisture are pore size and surface hardness. A piece made from a dense and hard wood will dry less rapidly than pieces made from softer woods.

Furniture that is sealed and lacquered will lose moisture more slowly than an unfinished piece while pieces with veneer finishes are not only stronger but lose moisture more slowly than other finishes.

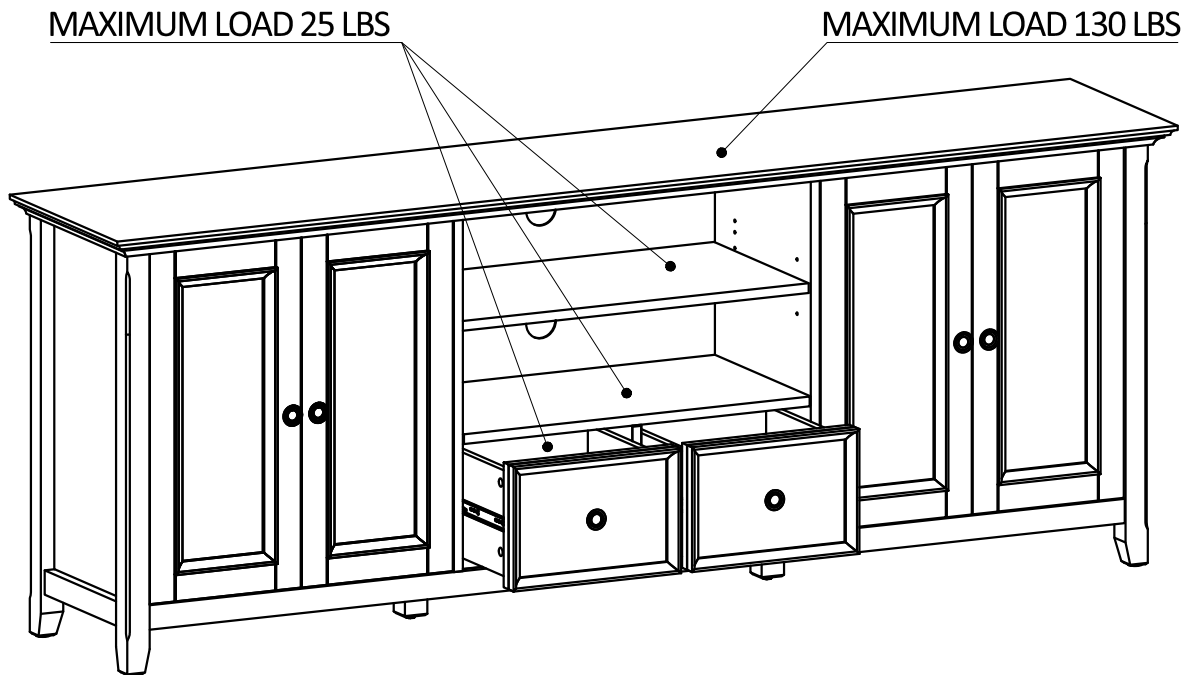
**To help protect your wood furniture, take these steps:**

- Use a humidifier, preferably one with an automatic control system that can sense the humidity level and adjust itself accordingly
- Don't over-humidify; that can damage wood by causing it to expand and contract
- Keep furniture out of direct sunlight, which can cause it to dry out, crack and warp
- If you can avoid it, don't put furniture near heating vents; if you can't, keep the item 3 to 4 inches away from the wall, giving the heat and air space to circulate
- Dust with soft dry cloth
- Do not use liquid or aerosol products
- To avoid marking, do not place rubber on surface (foot pads, etc.)
- For soil build-up, wipe with damp cloth & dry
- Do not use abrasive cleaners

## WARNING

The maximum diagonal CRT television screen size is 25 inch to 27 inch (63.50 cm to 68.58 cm). For use with televisions weighing 130 lbs or less. Using larger or heavier televisions may cause instability or tip over which can lead to serious injury or even death.

The recommended maximum width of the television intended for use is 80 inch (203.2 cm).



**WARNING** Do not place toys, food, etc. on the top shelves or upper drawers. Serious injury or death may occur when children climb on furniture. A remote control or items placed on the furniture may encourage a child to climb on the furniture and as a result make it top-heavy and cause it to tip over on the child.

**WARNING** Do not place a TV that exceeds the weight limits or size guidelines shown in the instructions specified for the furniture. Do not overload shelves or place heavy items on top shelves or drawers. Improper use of furniture to support TVs may result in serious injury or death.

**WARNING** Do not relocate audio and/or video equipment to furniture not specifically designed to support audio and/or video equipment. Do not move furniture without shelves or drawers unloaded. Furniture can collapse or tip over onto a child and cause physical injury or death.

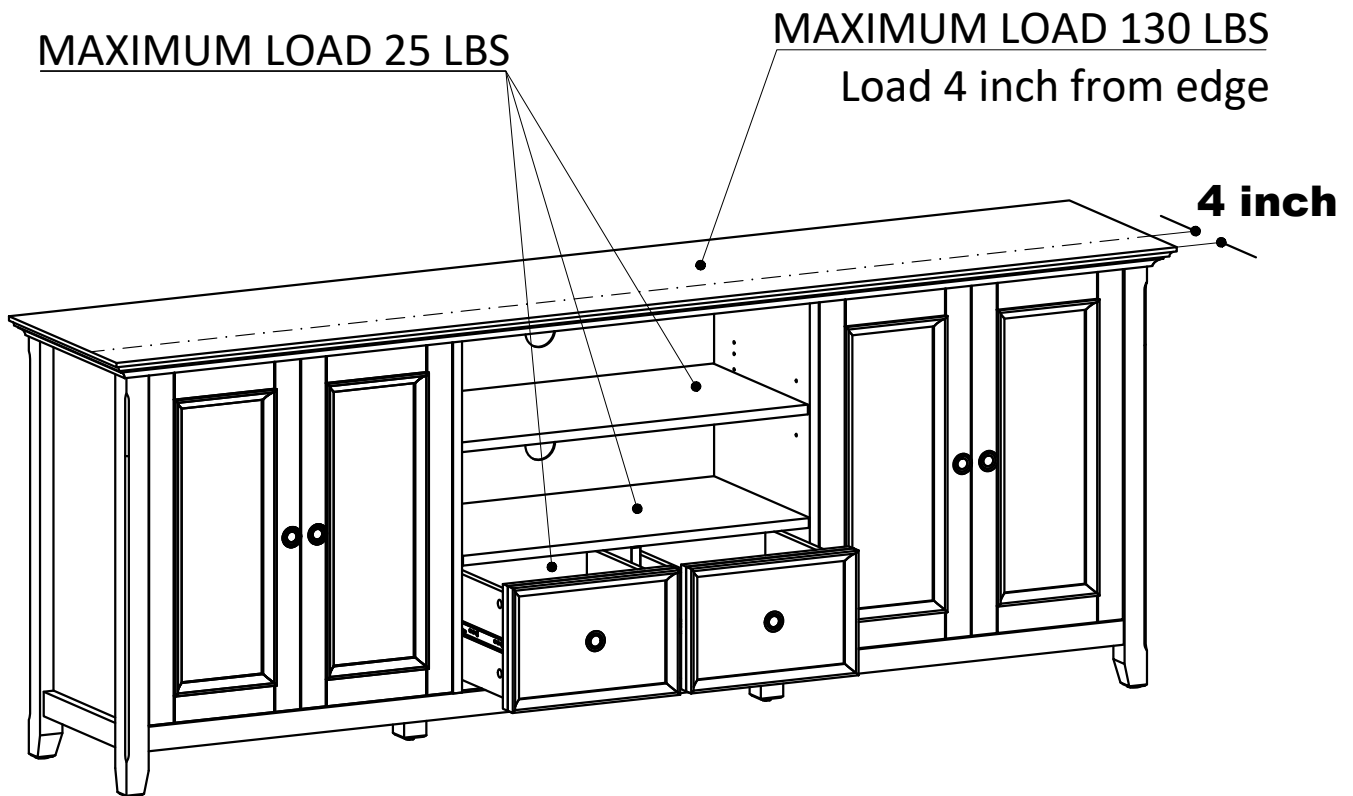
This TV Stand does not come with legible instructions pertaining to the risk of fire and electric shock that is associated with the use of electrical components such as operation, user-maintenance, loading, storage and as applicable electrical issues including grounding or double-insulation.

Any use of this item other than that recommended by the manufacturer in this manual may cause fire, burns, electric shock and/or serious injuries or death.

# **WARNING**

For use with televisions weighing 130 lbs or less.  
Use with heavier televisions may result in instability causing tip over resulting in death or serious injury.

If a customer wants to use this unit as a TV stand, you must install the TV at position 4 inches from the front edge of console to prevent it from tipping over. Do not place TV in front of this position.



MODEL#: AXCAMH84TV-XXX

DISTRIBUTION: SIMPLI HOME

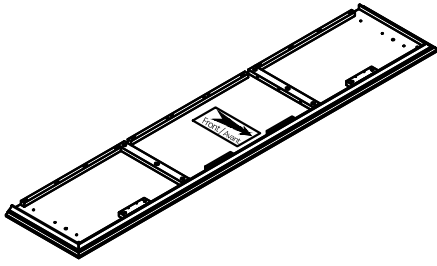
ADDRESS: Tumwater, WA 98512-0410- USA

COUNTRY OF ORIGIN: VIET NAM

# Pre-Assembly Information

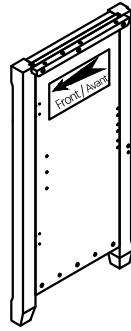
## Part Description

A



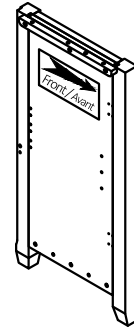
TOP  
QTY 1

BL



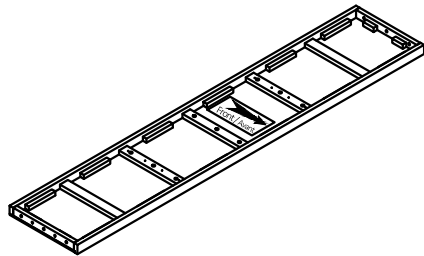
LEFT SIDE  
QTY 1

BR



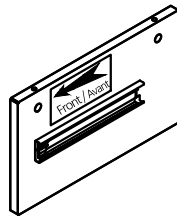
RIGHT SIDE  
QTY 1

C



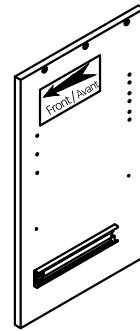
BOTTOM FRAME  
QTY 1

D



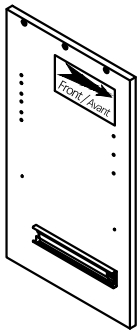
SMALL DIVIDER  
QTY 1

EL



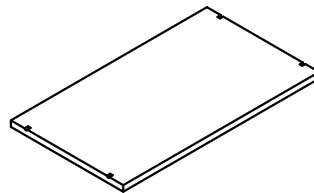
LEFT LARGE DIVIDER  
QTY 1

ER



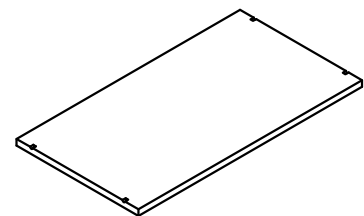
RIGHT LARGE DIVIDER  
QTY 1

F



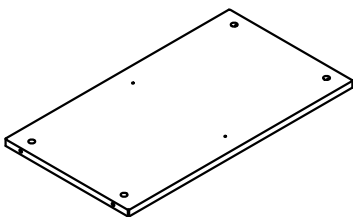
ADJUSTABLE SHELF  
QTY 2

G



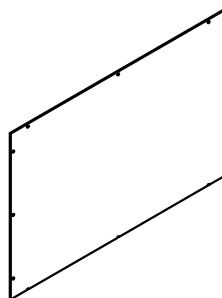
CENTER ADJUSTABLE SHELF  
QTY 1

H



CENTER FIXED SHELF  
QTY 1

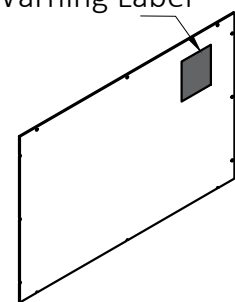
IL



LEFT BACK PANEL  
QTY 1

IR

Warning Label

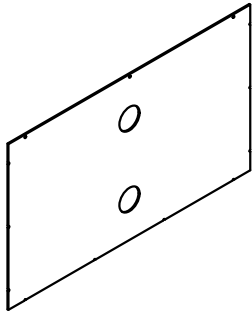


RIGHT BACK PANEL  
QTY 1

# Pre-Assembly Information

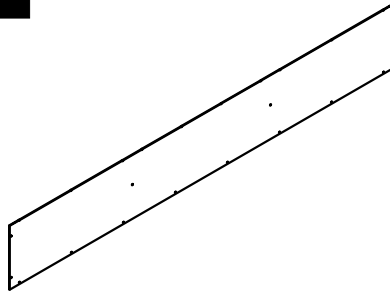
## Part Description

J



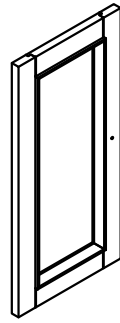
CENTER BACK PANEL  
QTY 1

K



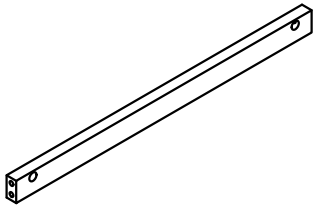
BOTTOM BACK PANEL  
QTY 1

L



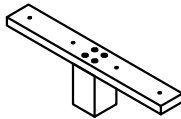
DOOR  
QTY 4

M



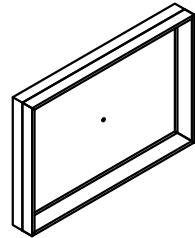
SUPPORT BACK PANEL  
QTY 2

N



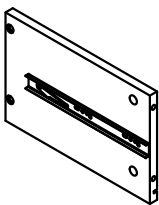
BOTTOM SUPPORT LEG  
QTY 2

O



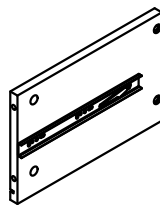
DRAWER FRONT  
QTY 2

PL



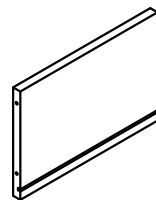
LEFT DRAWER SIDE  
QTY 2

PR



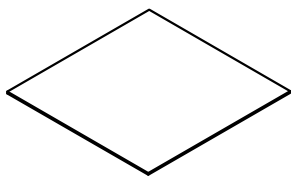
RIGHT DRAWER SIDE  
QTY 2

Q



DRAWER BACK  
QTY 2

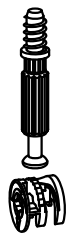
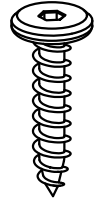
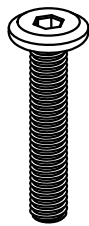
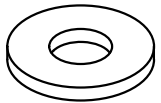
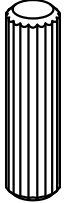
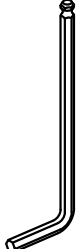
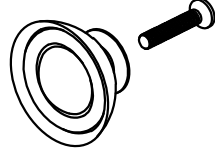
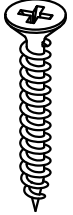
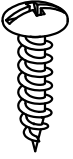
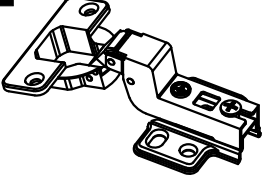
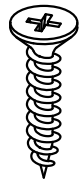
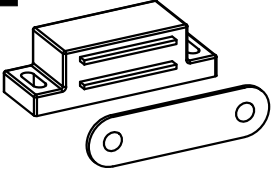
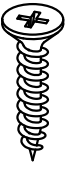
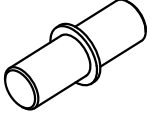
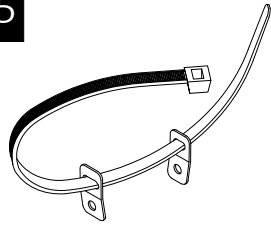



R

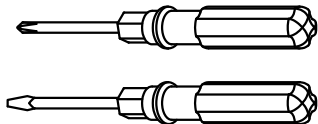


DRAWER BOTTOM  
QTY 2

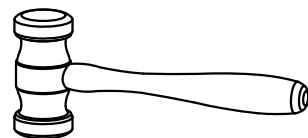
# Pre-Assembly Information

## Hardware Description

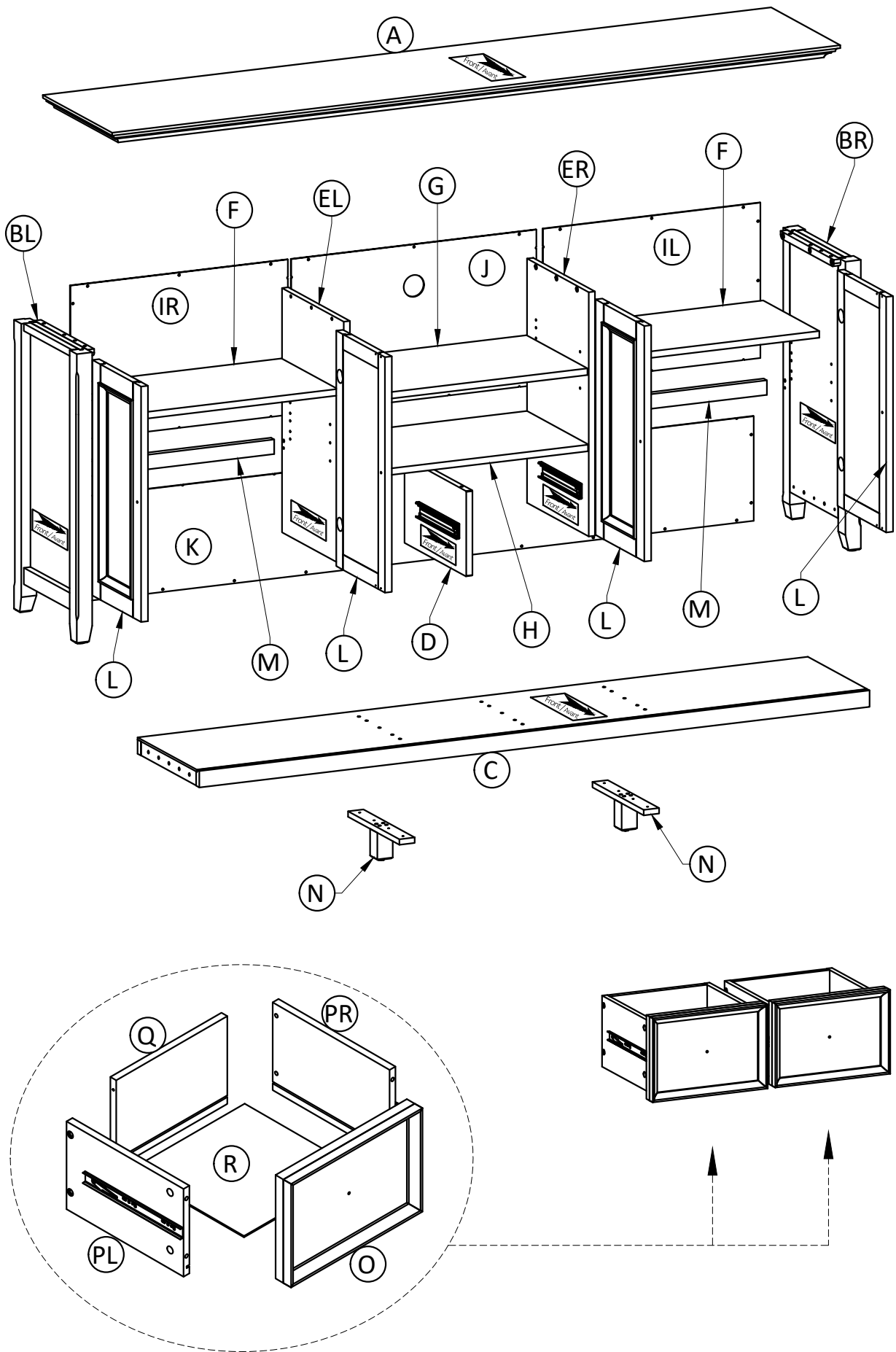
<p><b>1</b></p>  <p>CAM LOCK PIN CAM LOCK QTY 18 SETS</p>	<p><b>2</b></p>  <p>ALLEN KEY SCREW Ø6 X 30mm QTY 29</p>	<p><b>3</b></p>  <p>ALLEN KEY BOLT M6 X 35mm QTY 6</p>	<p><b>4</b></p>  <p>WASHER Ø16 / Ø6 X1mm QTY 6</p>
<p><b>5</b></p>  <p>WOOD DOWEL Ø8 X 30mm QTY 16</p>	<p><b>6</b></p>  <p>ALLEN KEY QTY 1</p>	<p><b>7</b></p>  <p>HANDLE M4 X 25 mm QTY 6 SET</p>	<p><b>8</b></p>  <p>PHILLIPS SCREW Ø4 X 30mm QTY 8</p>
<p><b>9</b></p>  <p>PHILLIPS SCREW ROUND HEAD Ø4 X 15mm QTY 45</p>	<p><b>10</b></p>  <p>ADJUSTABLE HINGE (Ø35 Inset Hinge) QTY 8</p>	<p><b>11</b></p>  <p>PHILLIPS SCREW Ø4 X 15mm QTY 48</p>	<p><b>12</b></p>  <p>MAGNET AND PLATE QTY 4 SETS</p>
<p><b>13</b></p>  <p>PHILLIPS SCREW Ø3 X 15mm QTY 16</p>	<p><b>14</b></p>  <p>SHELF SUPPORT QTY 18</p>	<p><b>15</b></p>  <p>FURNITURE TIP OVER RESTRAINT QTY 1 SET</p> <ul style="list-style-type: none"> <li>a.  Ø4 X 25mm - QTY 2 (1 is extra)</li> <li>b.  Ø4 X 15mm - QTY 1</li> <li>c.  Ø4 X 25mm - QTY 1</li> </ul>	



Required -  
Flathead screwdriver  
Phillips screwdriver  
Rubber mallet  
**Not Included**

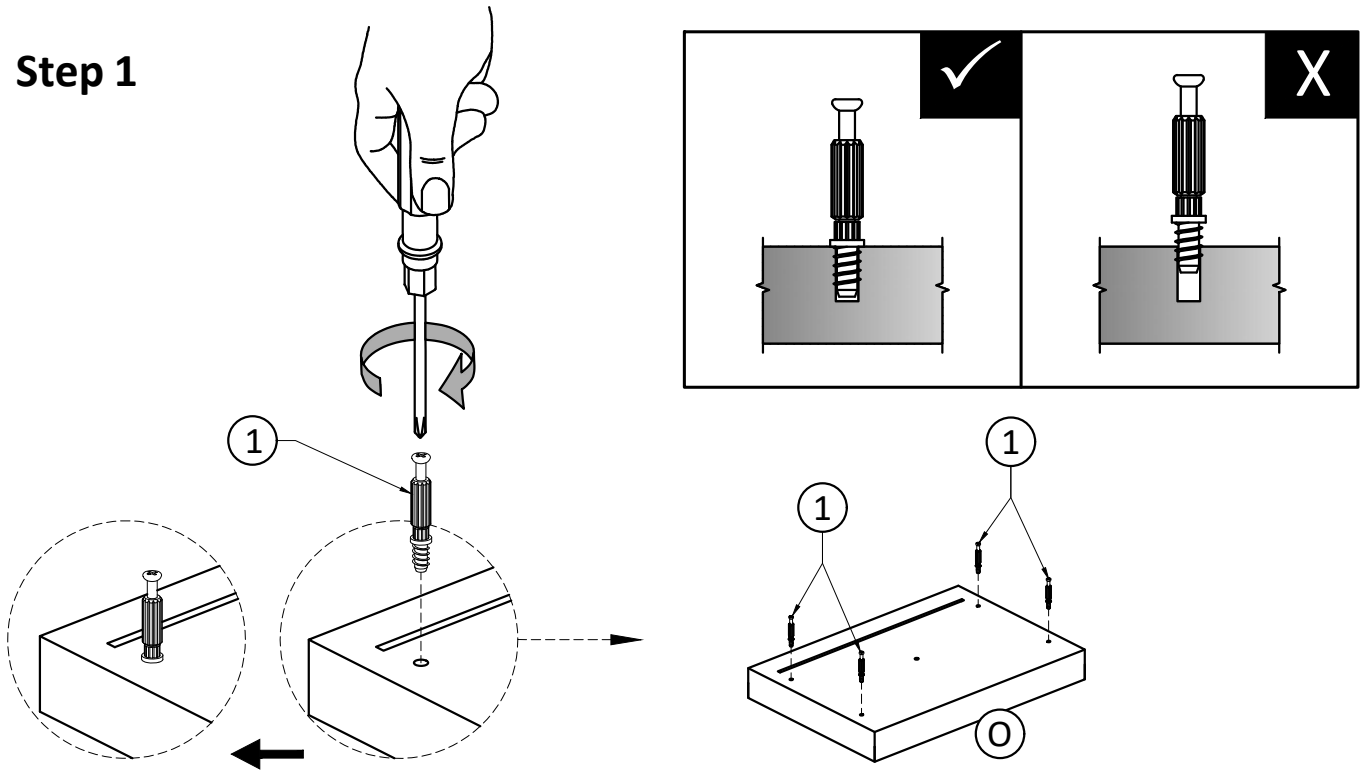


# Components - Key Diagram

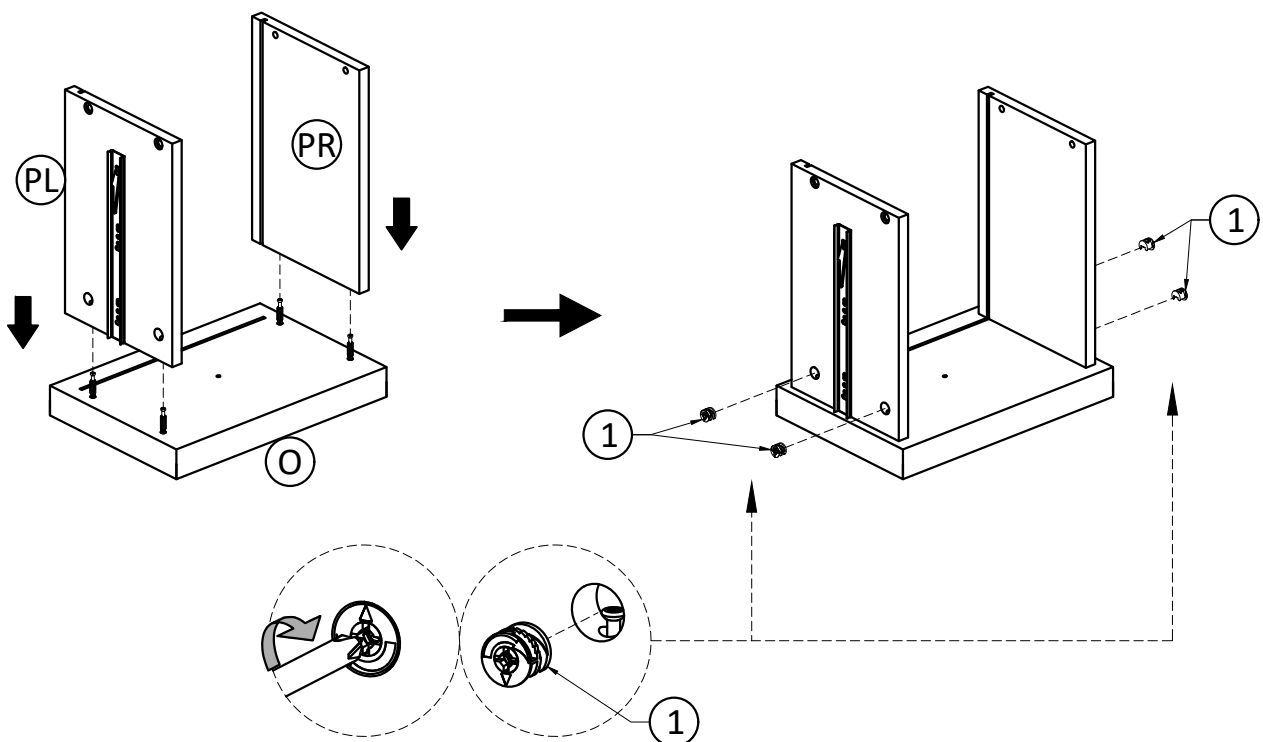


# Assembly

## Step 1



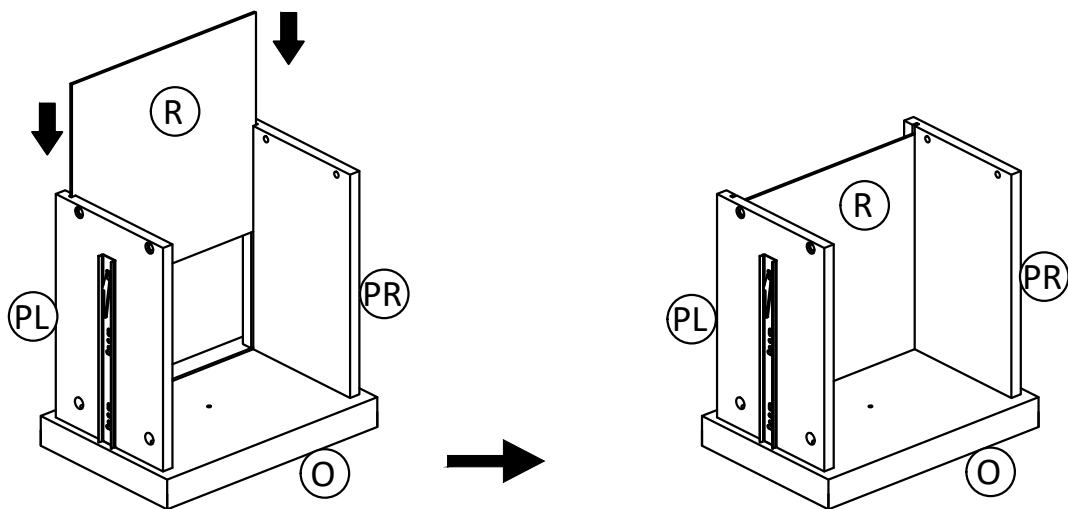
1. Attach four Cam Lock Pins (1) into pre-drilled holes on back of Drawer Front (0).
2. Use Phillips screwdriver to secure Cam Lock Pins. Do not over-tighten.



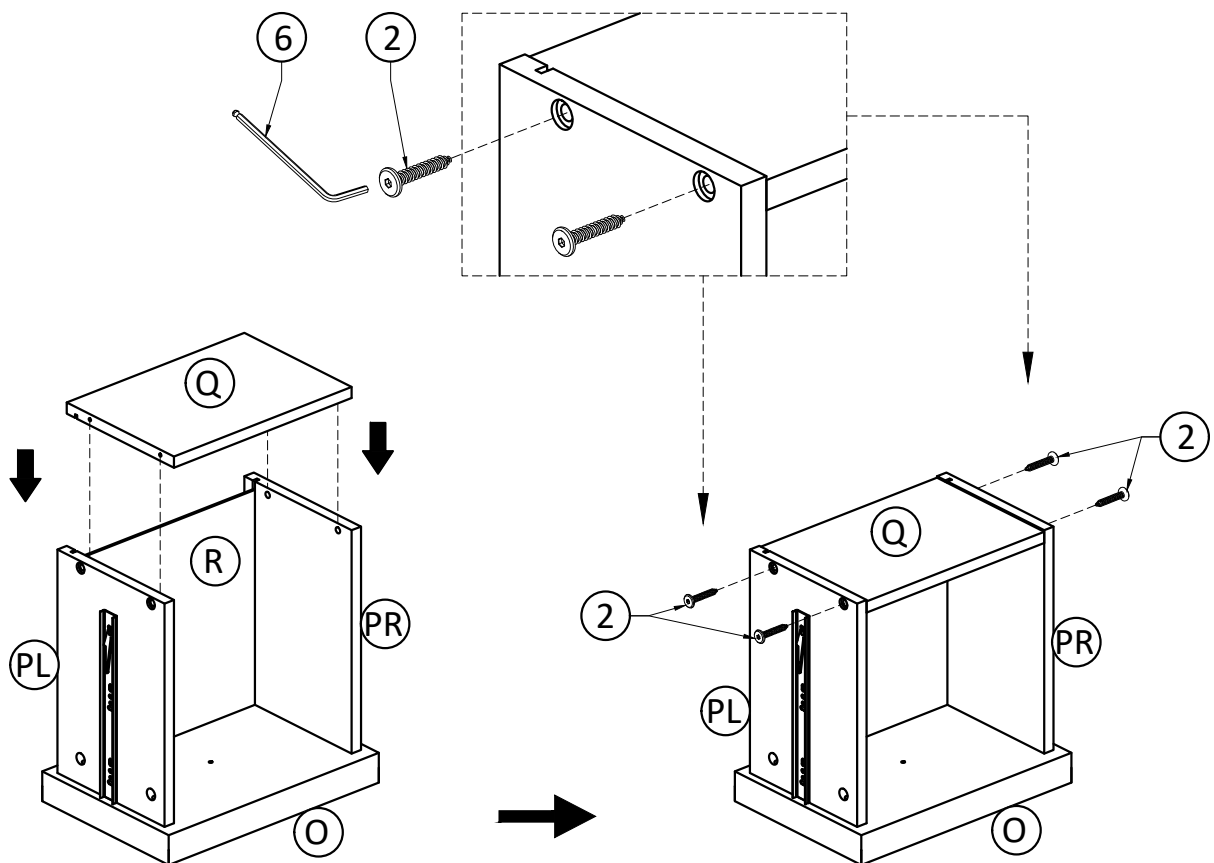
2. Align Cam Lock Pins with guide holes and attach Drawer Sides (PL, PR).
3. Insert two Cam Locks (1) into guided holes on each Drawer Side (PL, PR).
4. Use Phillips screwdriver to secure Cam Locks. Do not over-tighten.

# Assembly

## Step 2



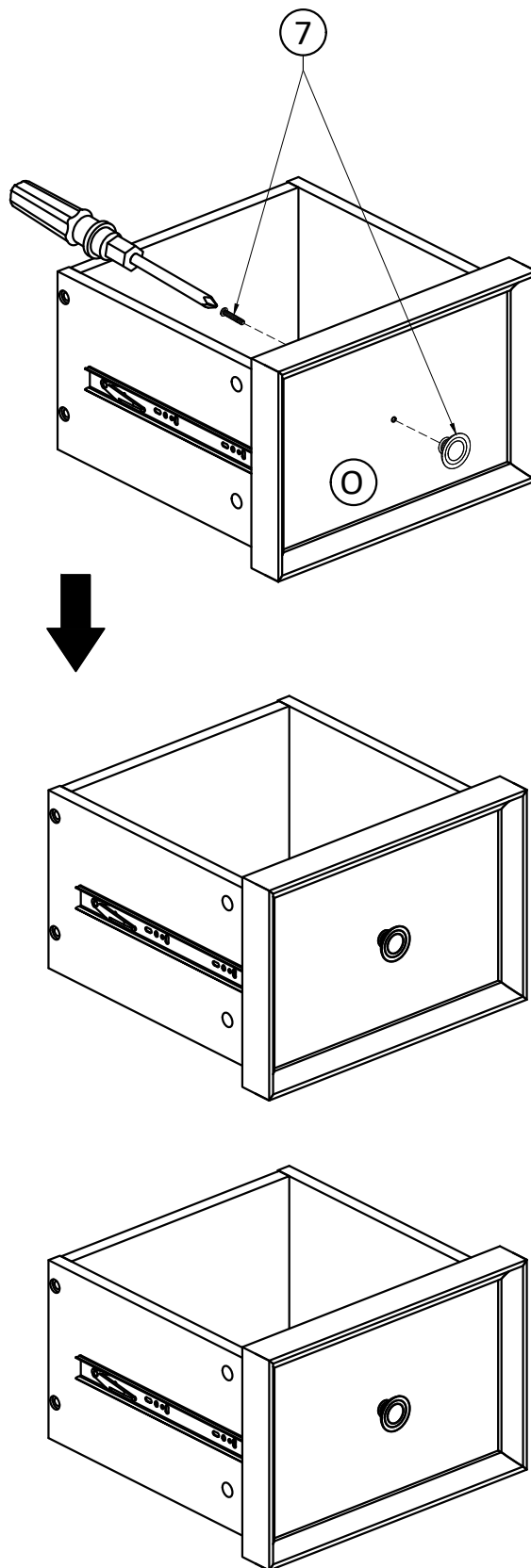
1. Slide Drawer Bottom (R) firmly into slots on Drawer Sides (PL, PR) and Drawer Front (O).



2. Align Drawer Back (Q) with Drawer Bottom (R) and press firmly into slot.
3. Attach Drawer Back using two Allen Key Screws (2) through guide holes on each Drawer Side (PL, PR).
4. Use Allen Key (6) to tighten Screws. Do not over-tighten.

# Assembly

## Step 3

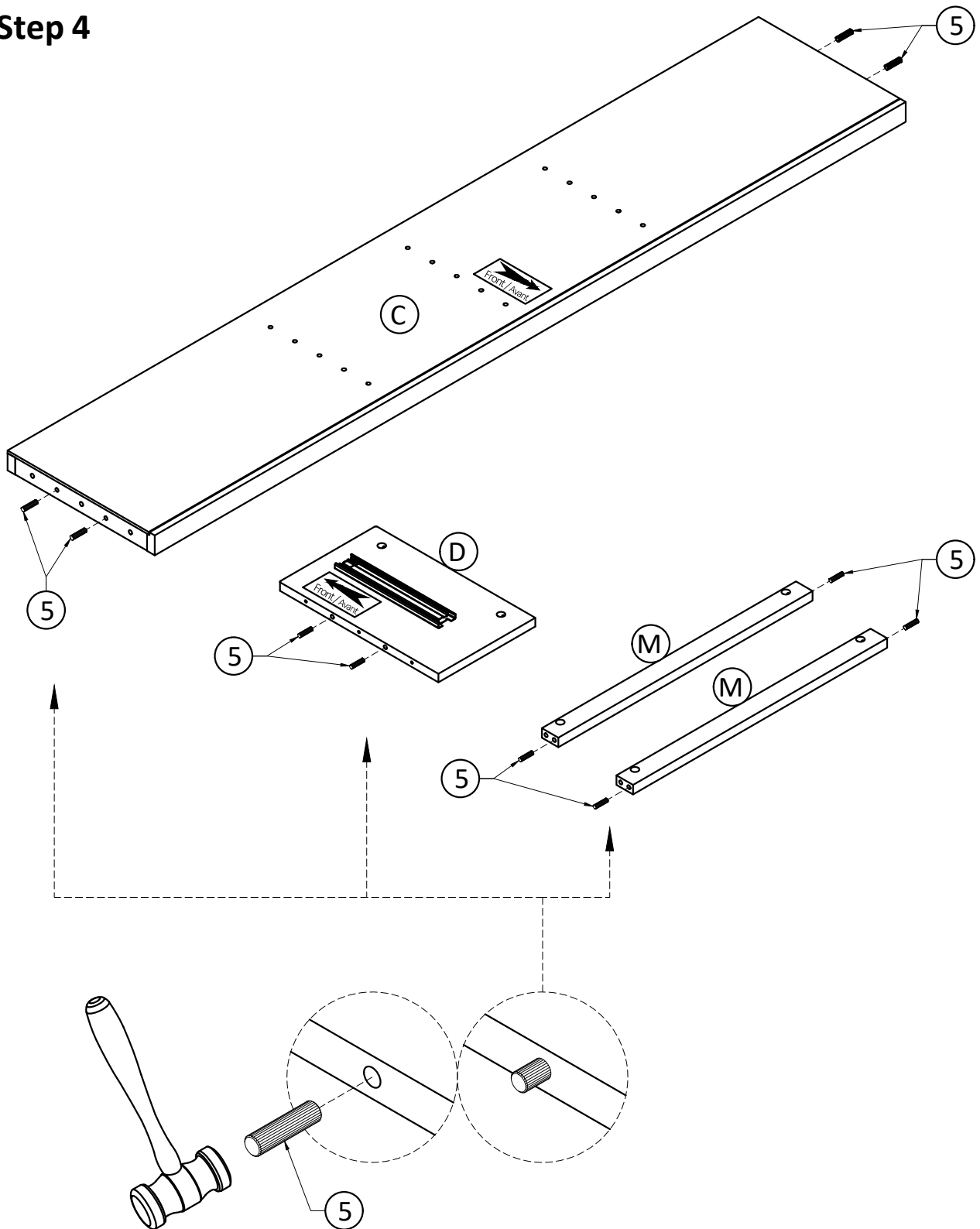


1. Use Phillips screwdriver to attach Handle (7) to Drawer Front (O).

Repeat Step 1-3 for the second drawers.

# Assembly

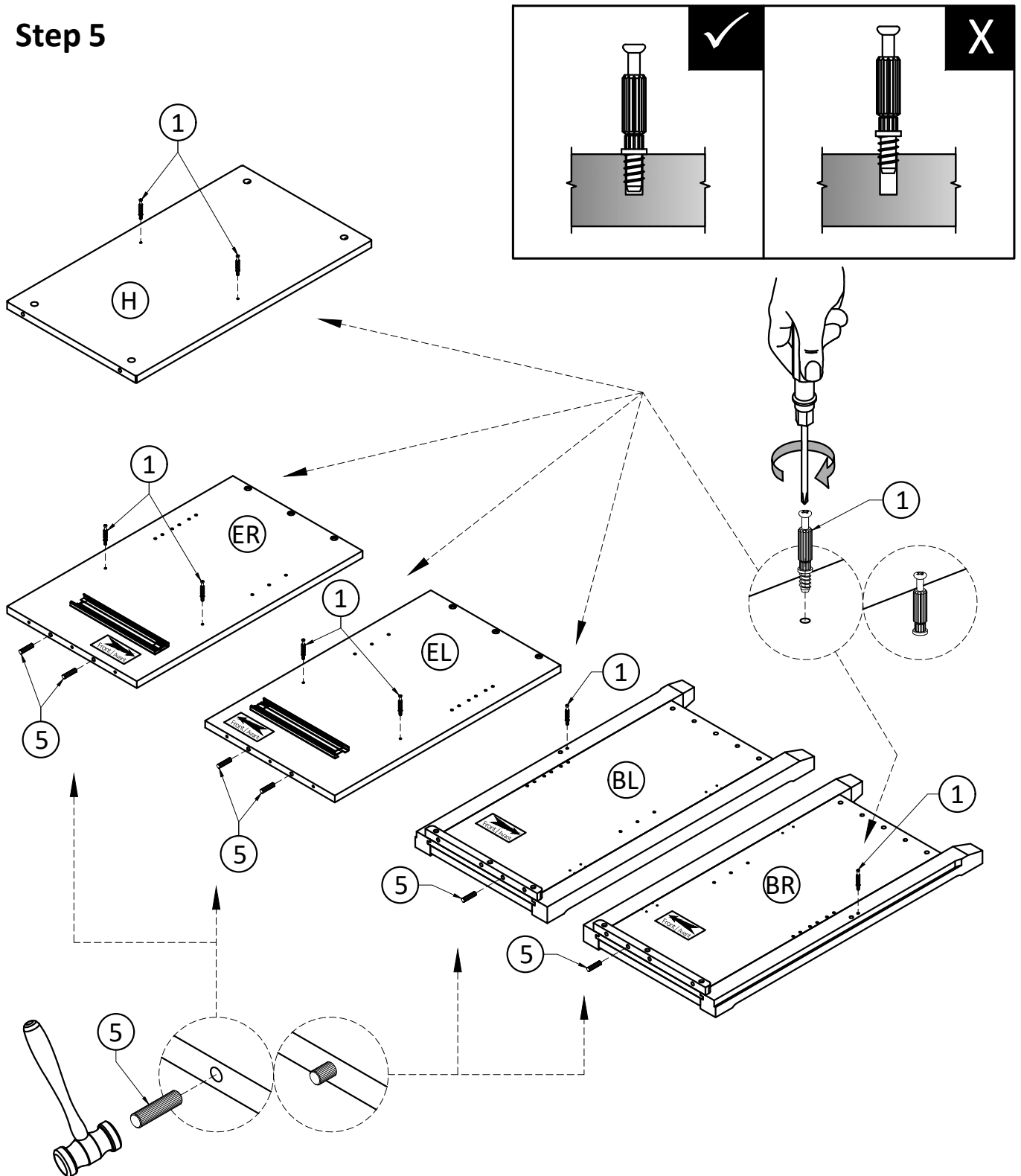
## Step 4



1. Insert Wood Dowels (5) into guide holes on Bottom Frame (C), Small Divider (D) and Support Back Panels (M).
2. Use rubber mallet to tap Dowels (5) into bottom of holes securely. 1/3 length of Dowels should be exposed.

# Assembly

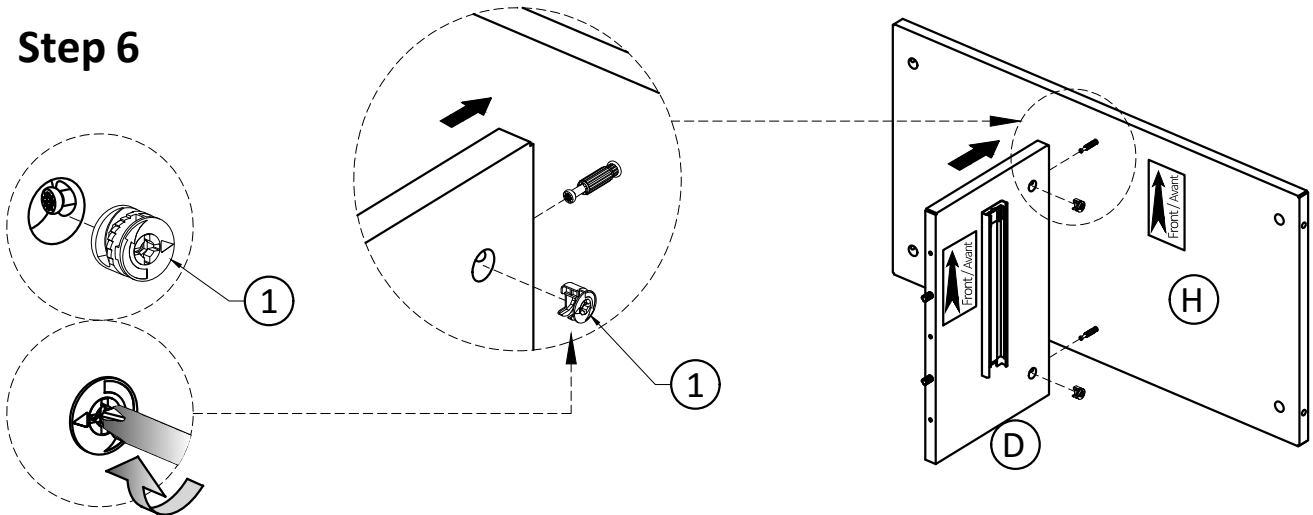
## Step 5



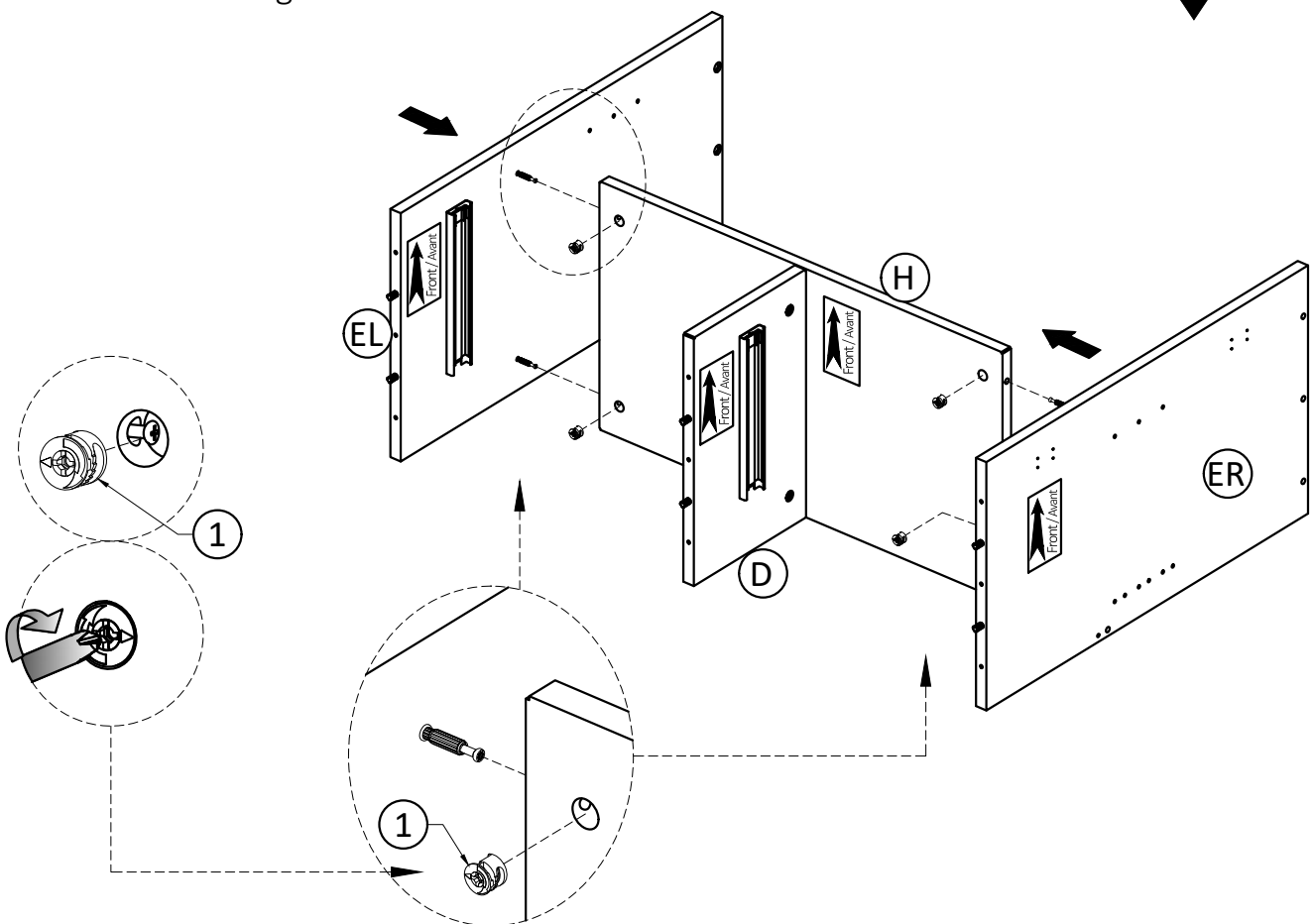
1. Attach Cam Lock Pins (1) into pre-drilled holes on Center Fixed Shelf (H), Dividers (EL, ER) and Sides (BL, BR).
2. Use Phillips screwdriver to secure Cam Lock Pins. Do not over-tighten.
3. Insert Wood Dowels (5) into guide holes on Dividers (EL, ER) and Sides (BL, BR).
4. Use rubber mallet to tap Dowels (5) into bottom of holes securely. 1/3 length of Dowels should be exposed.

# Assembly

## Step 6



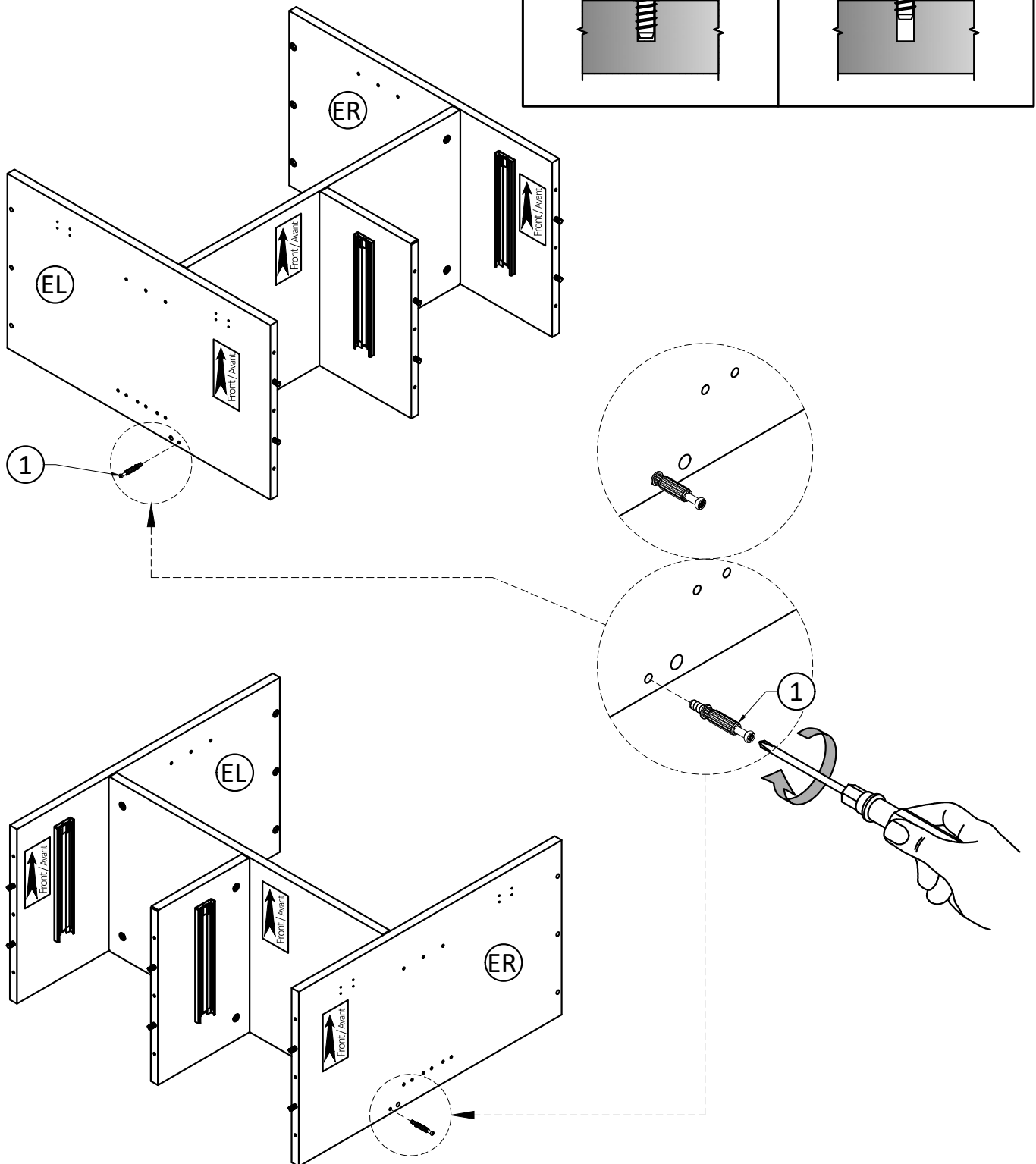
1. Align Cam Lock Pins with guide holes and attach Small Divider (D) to Center Fixed Shelf (H).
2. Insert two Cam Locks (1) into guided holes on Small Divider (D).
3. Use Phillips screwdriver to secure Cam Locks. Do not over-tighten.



3. Align Cam Lock Pins with guide holes and attach Dividers (EL, ER) to Center Fixed Shelf (H).
4. Insert four Cam Locks (1) into guided holes on Center Fixed Shelf (H).
5. Use Phillips screwdriver to secure Cam Locks. Do not over-tighten.

# Assembly

## Step 7

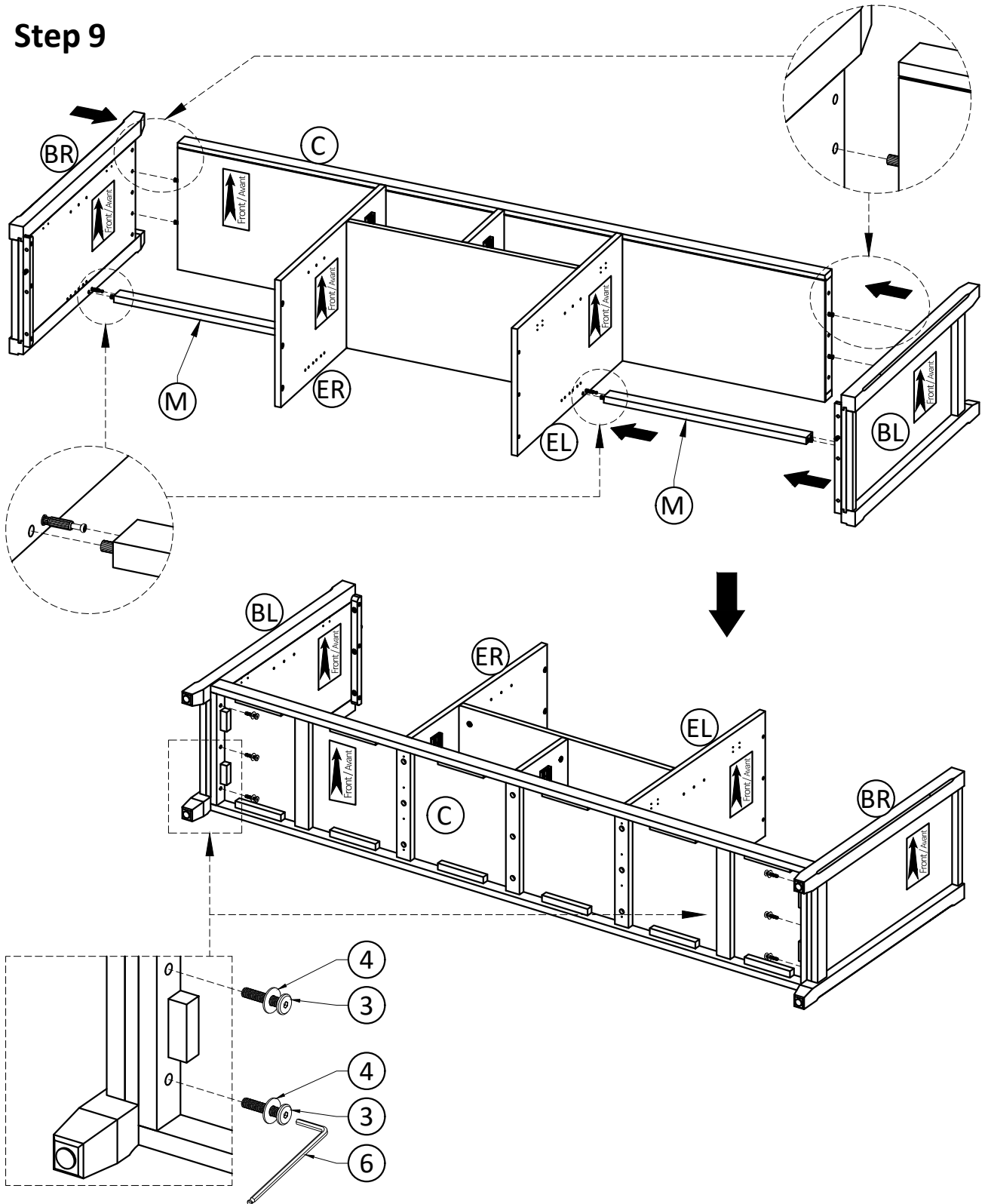


1. Attach one Cam Lock Pin ① into pre-drilled holes on each Divider (EL), (ER).
2. Use Phillips screwdriver to secure Cam Lock Pins. Do not over-tighten.



# Assembly

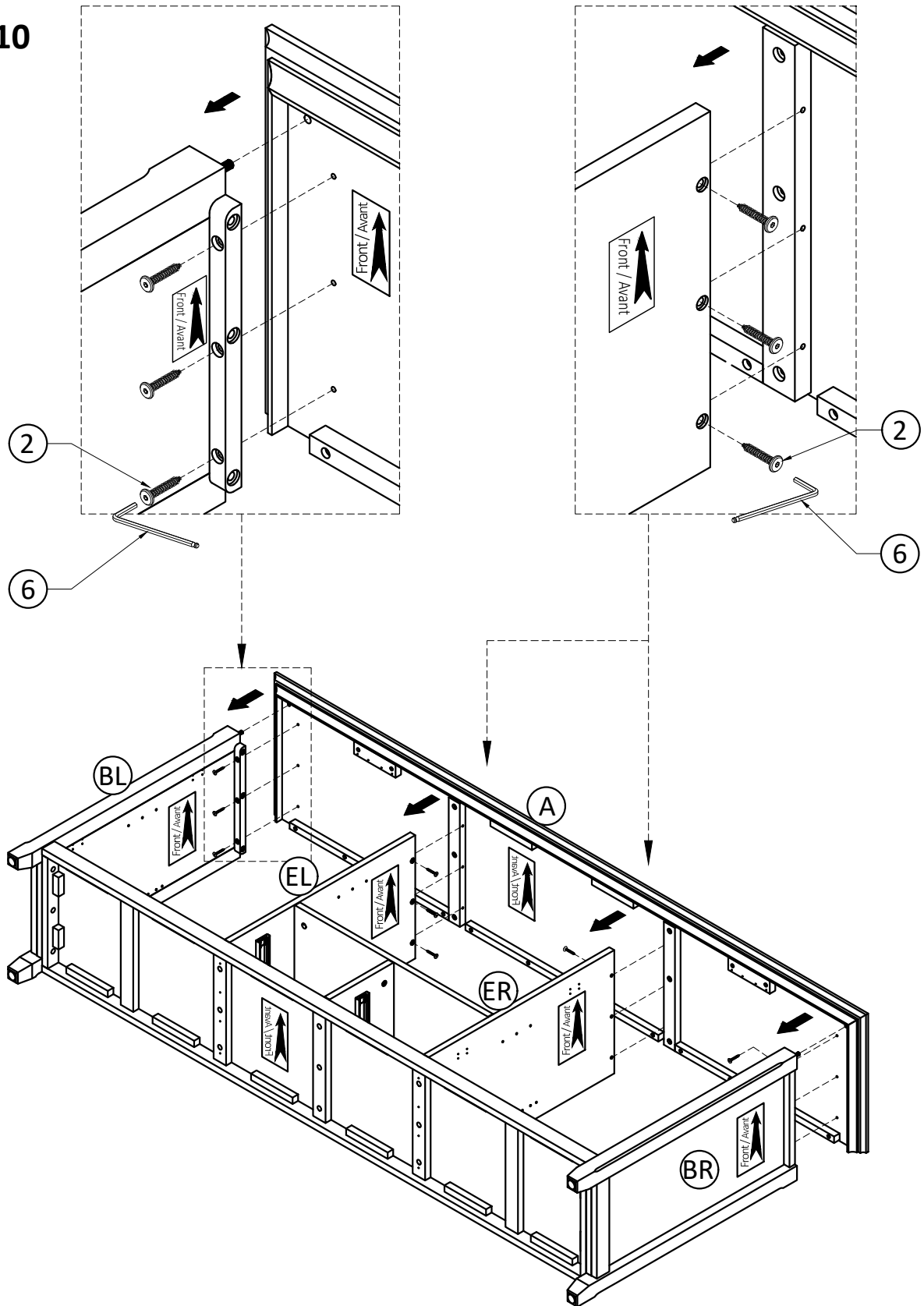
## Step 9



1. Align Wood Dowels and Cam Lock Pins with guide holes and attach Support Back Panels (M) to Dividers (EL), (ER).
2. Align Wood Dowels and Cam Lock Pins with guide holes and attach Sides (BL), (BR) to Support Back Panels (M) and Bottom Frame (C).
3. Use six Allen Key Bolts (3) and Washers (4) to attach Bottom Frame (C) through guide holes.
4. Use Allen Key (6) to tighten Bolts. Do not over-tighten.

# Assembly

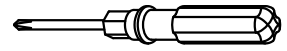
## Step 10



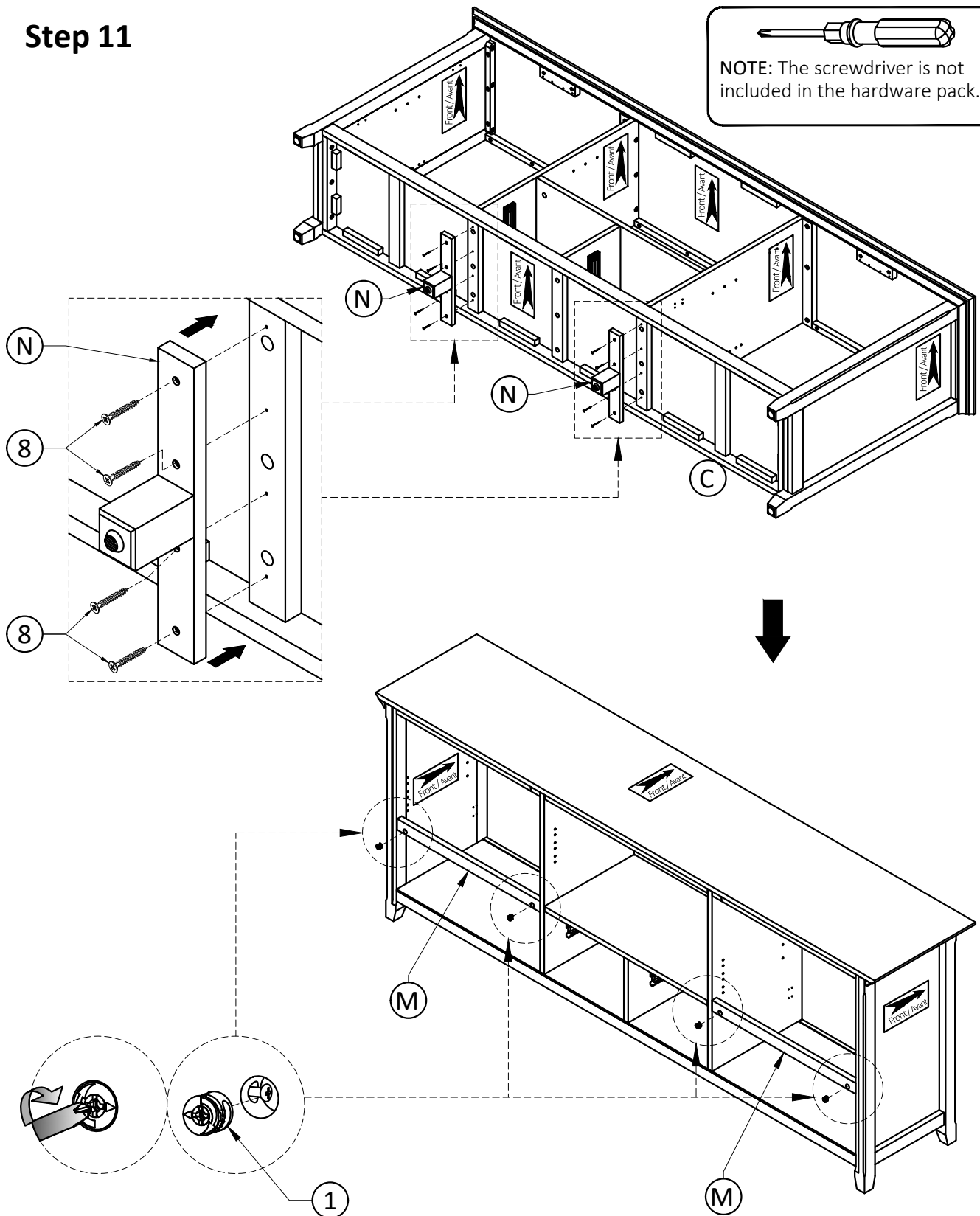
1. Align Wood Dowels with guide holes and attach Sides (BL, BR) to Top (A).
2. Use three Allen Key Screws (2) to attach each Side (BL, BR) and Divide (EL, ER) to Top (A) through guide holes.
3. Use Allen Key (6) to tighten Screws. Do not over-tighten.

# Assembly

## Step 11



NOTE: The screwdriver is not included in the hardware pack.



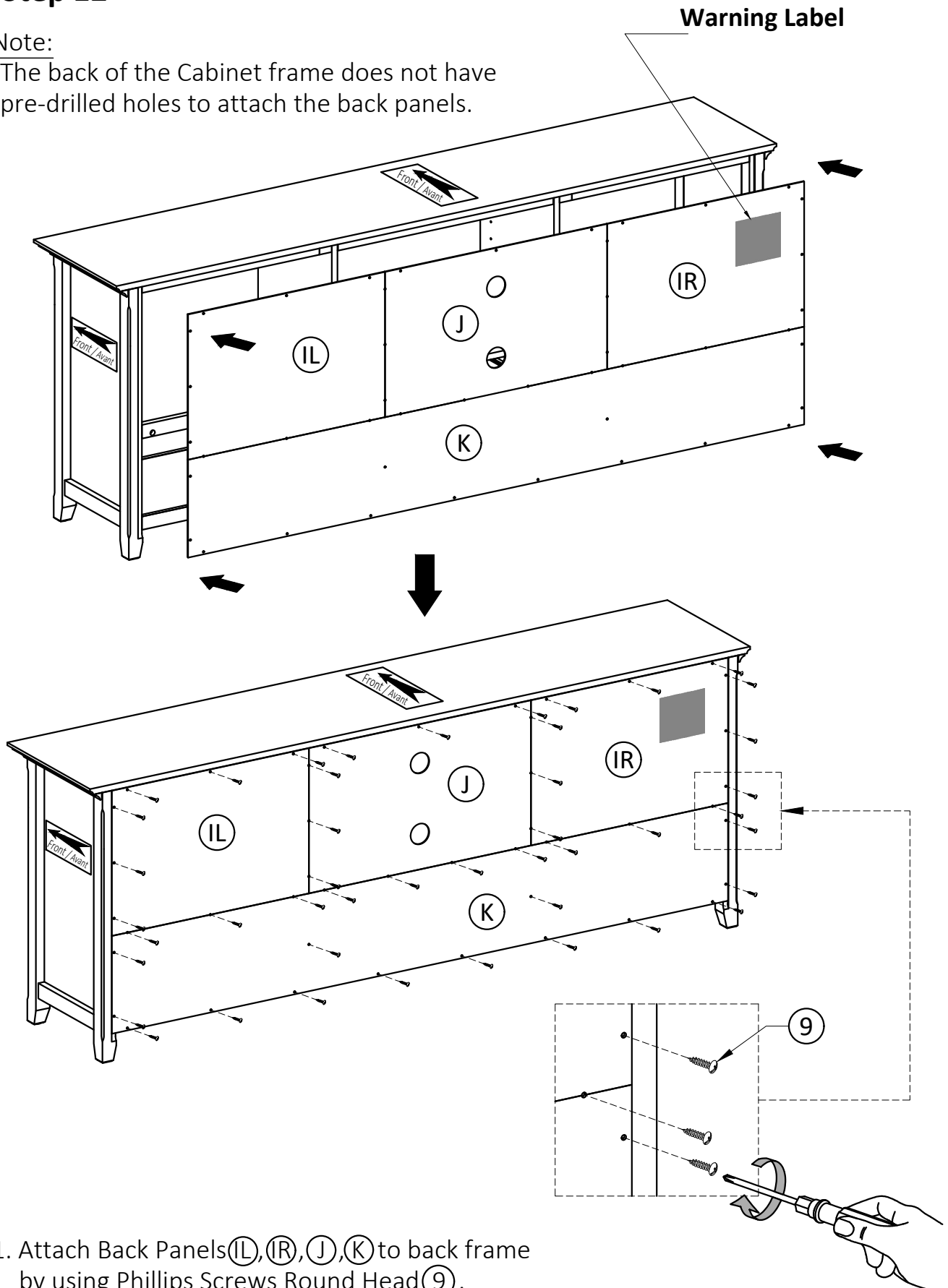
1. Align Bottom Support Legs (N) with pre-drilled holes on back of Bottom Frame (C). Use Phillips Screwdriver to tighten eight Phillips Screws (8).
2. Insert two Cam Locks (1) into guided holes on each Support Back panel (M).
3. Use Phillips screwdriver to secure Cam Locks. Do not over-tighten.

# Assembly

## Step 12

Note:

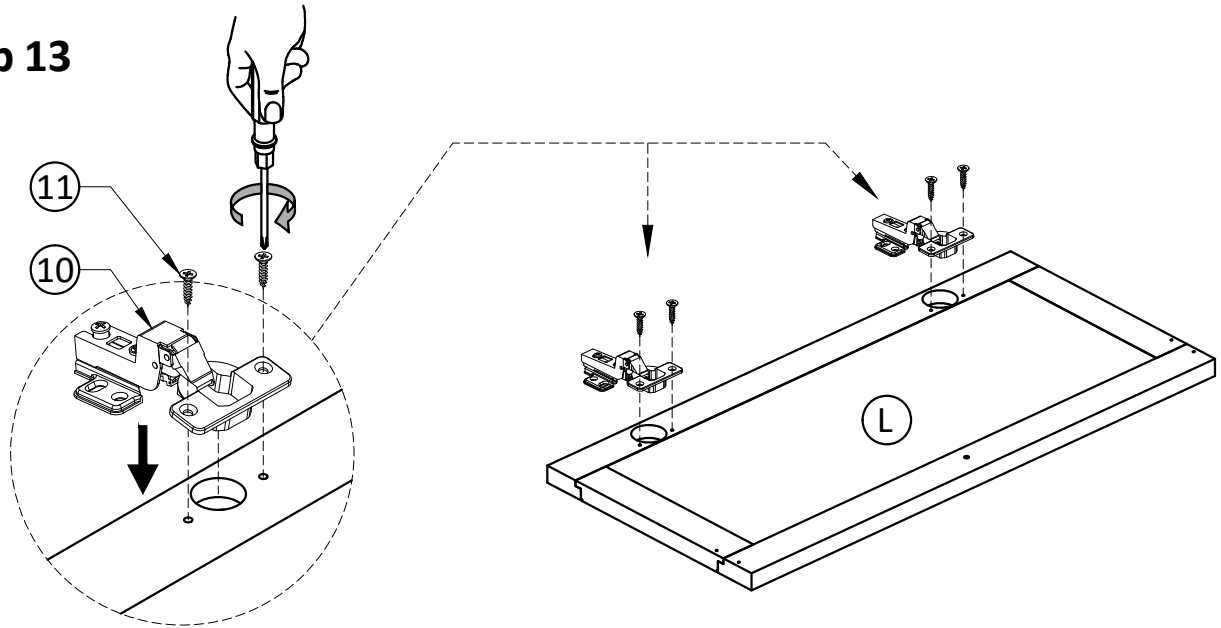
The back of the Cabinet frame does not have pre-drilled holes to attach the back panels.



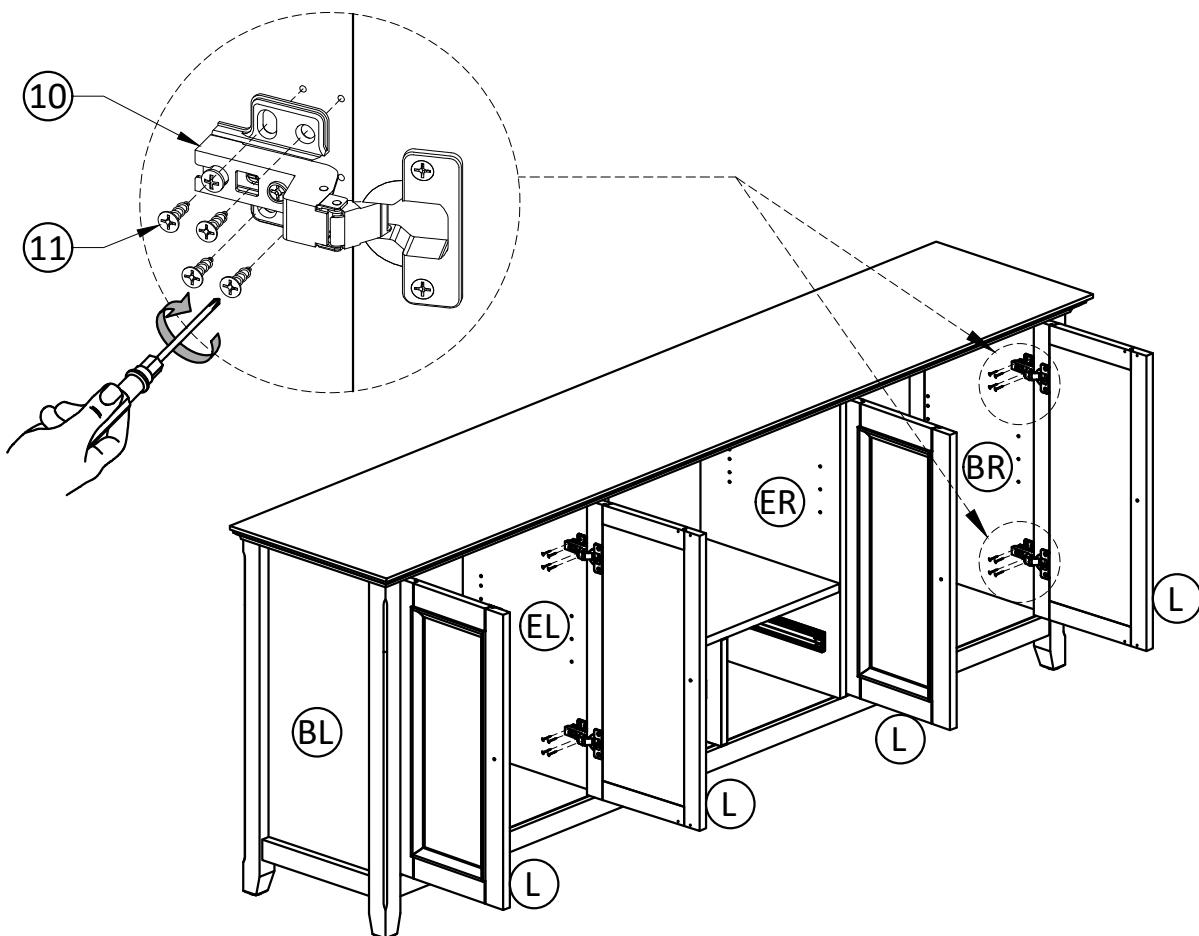
1. Attach Back Panels (IL, IR, J, K) to back frame by using Phillips Screws Round Head (9).
2. Use Phillips Screwdriver to tighten screws. Do not over-tighten.

# Assembly

## Step 13



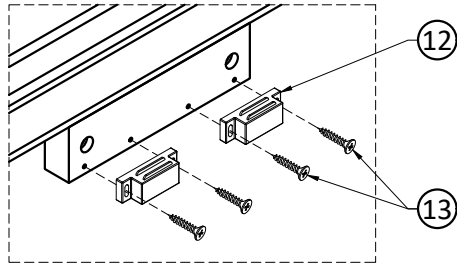
1. Attach Adjustable Hinges (10) to Doors (L) using Phillips Screws (11) into pre-drilled holes on Doors (L).

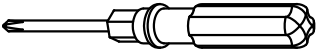


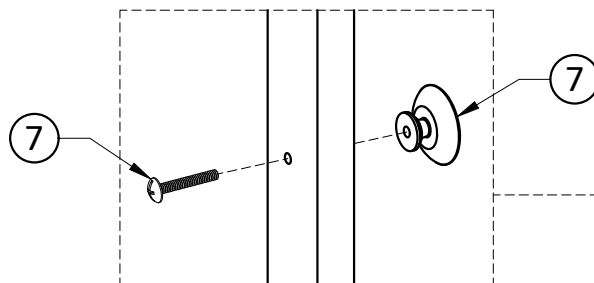
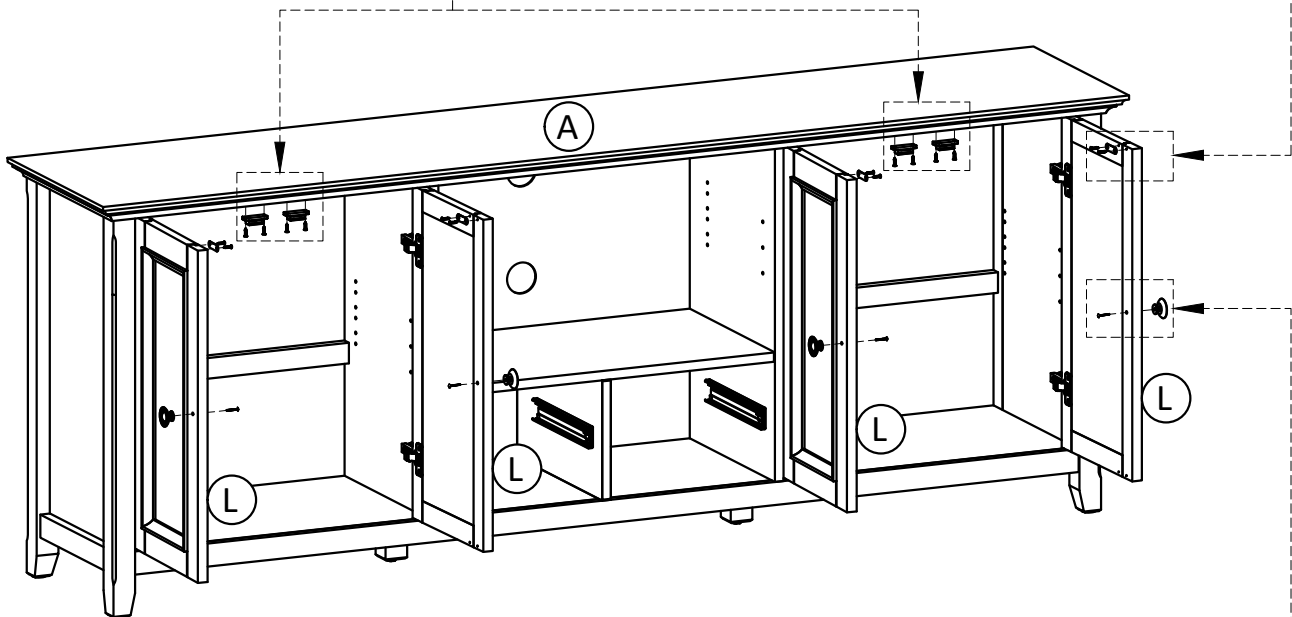
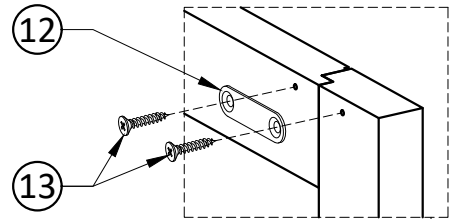
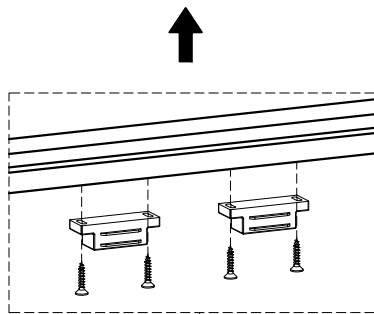
2. Attach Adjustable Hinges (10) on Doors (L) to Sides (BL, BR) and Dividers (EL, ER) using Phillips Screws (11) into pre-drilled holes on Sides (BL, BR) and Dividers (EL, ER).
3. Use Phillips screwdriver to snugly tighten screws. Do not over-tighten.

# Assembly

## Step 14



  
**NOTE:** The screwdriver is not included in the hardware pack.

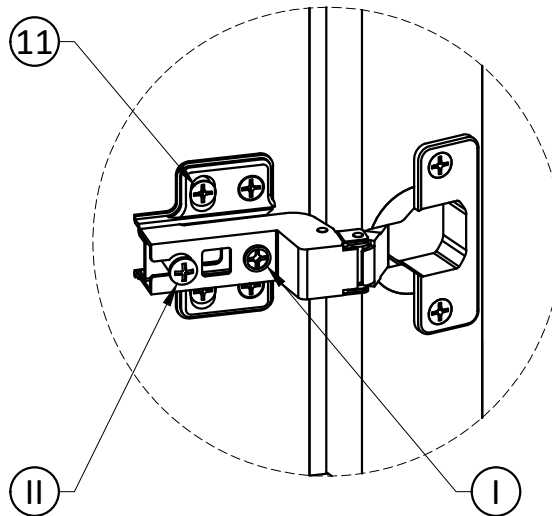
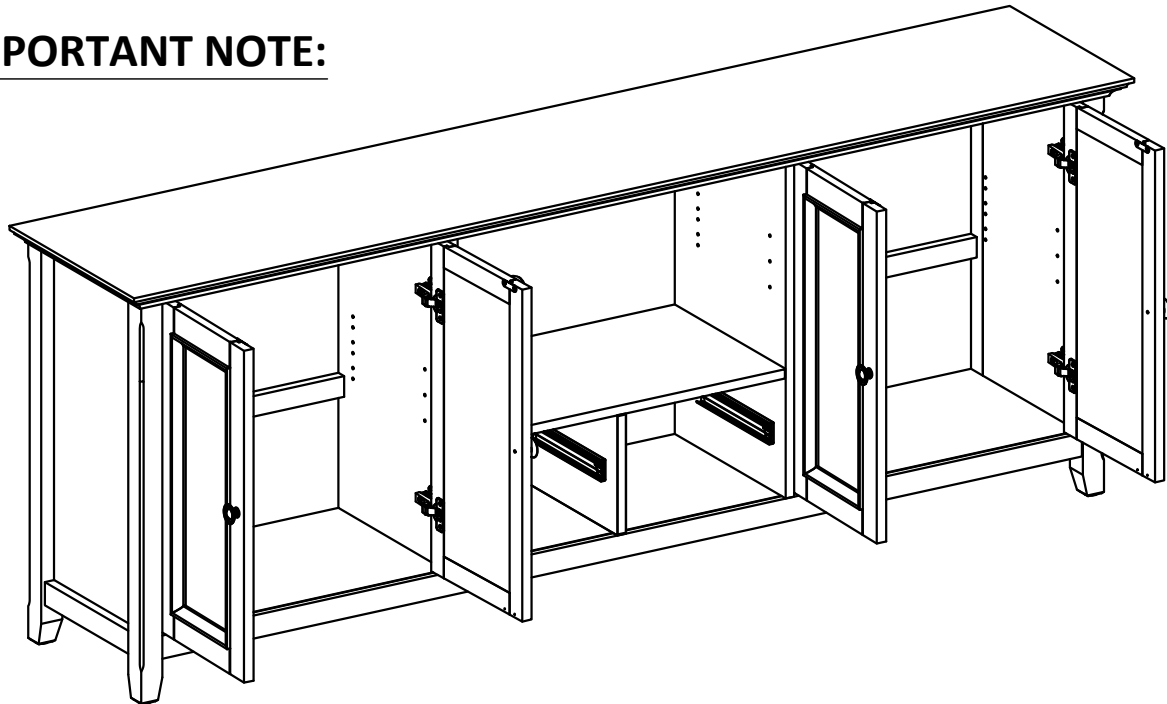


1. Attach Magnets (12) using Phillips Screws (13) into pre-drilled holes on Top (A).
2. Attach Magnet Plates (12) to top corner of Doors (L) using Phillips Screws (13) into pre-drilled holes on Doors (L).
2. Use Phillips screwdriver to snugly tighten screw. Do not over-tighten.
3. Use Phillips screwdriver to attach Handles (7) to Doors (L).

# Assembly

## Step 15

### IMPORTANT NOTE:



Tighten the Screw marked ① to fasten hinge. The door may need to be adjusted so that all the spaces between the door and the unit sides are equal.

To adjust, follow instructions:

1. Side adjustment 4 mm

To move the door towards the side panel, loosen screw ① and tighten screw ②.

To move the door away from the side panel, loosen screw ② and tighten screw ①.

2. Depth adjustment 4 mm

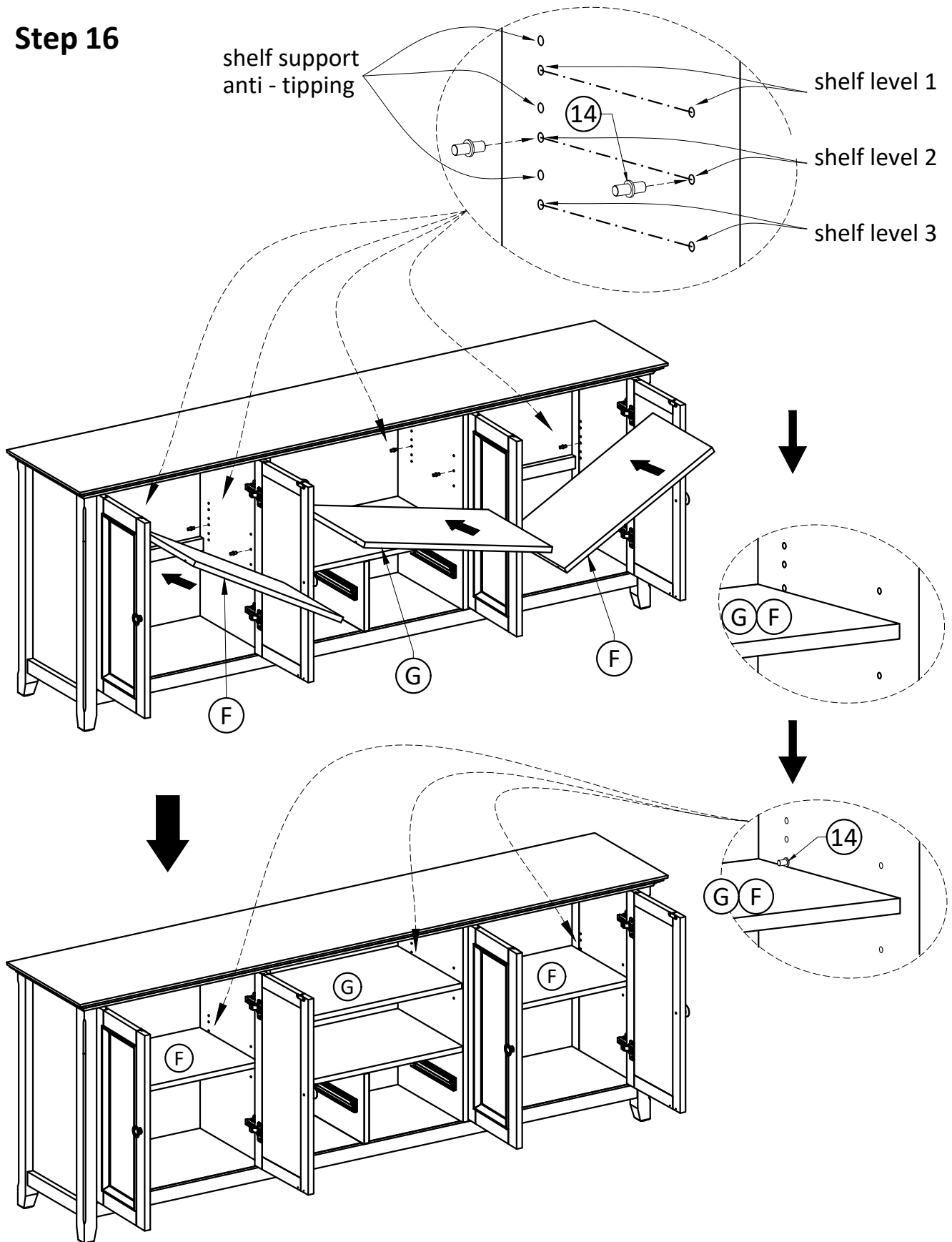
Loosen screw ② ( just one turn ), adjust door to desired position, re-tighten screw.

3. Height adjustment

Loosen screw ③, adjust door to desired position, re-tighten screw.

# Assembly

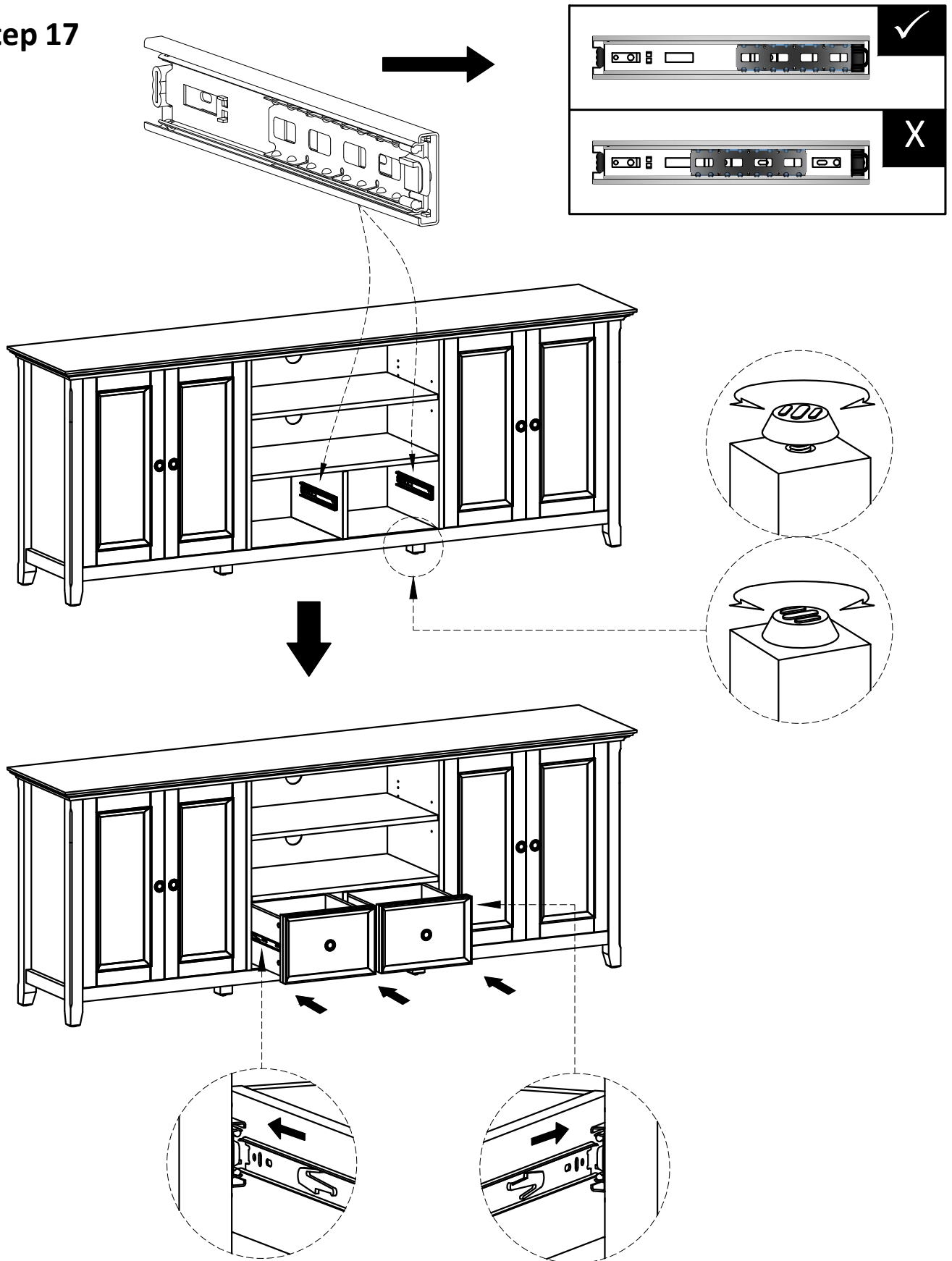
## Step 16



1. Use four Shelf Supports 14 for each Cabinet Shelf G, F in desired location.
2. Two Shelf Supports 14 may be used on back top of each Cabinet Shelf G, F as a tipping restraint.

# Assembly

## Step 17

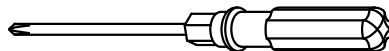


1. Insert assembled drawers into glides on assembled Cabinet.  
Note: Levelers on bottom of legs can be adjusted if floor is uneven.

## Furniture Tip Over Restraint Assembly

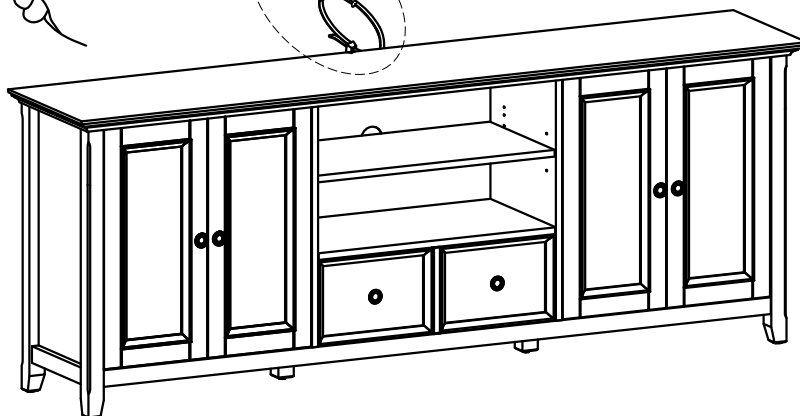
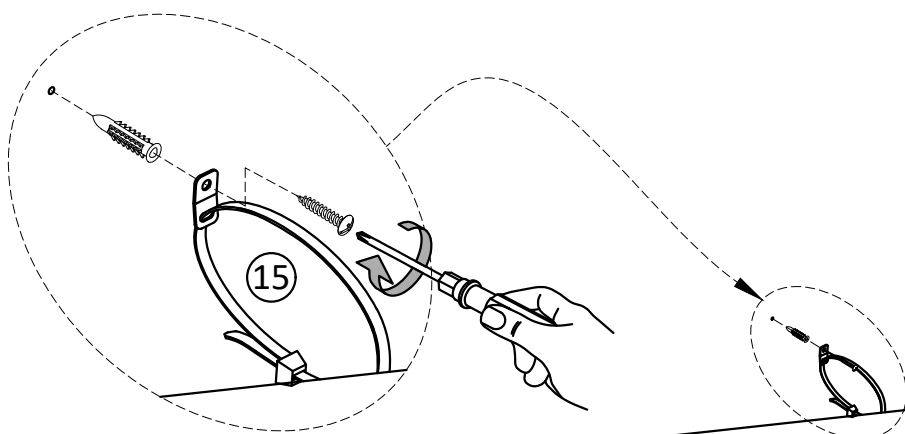
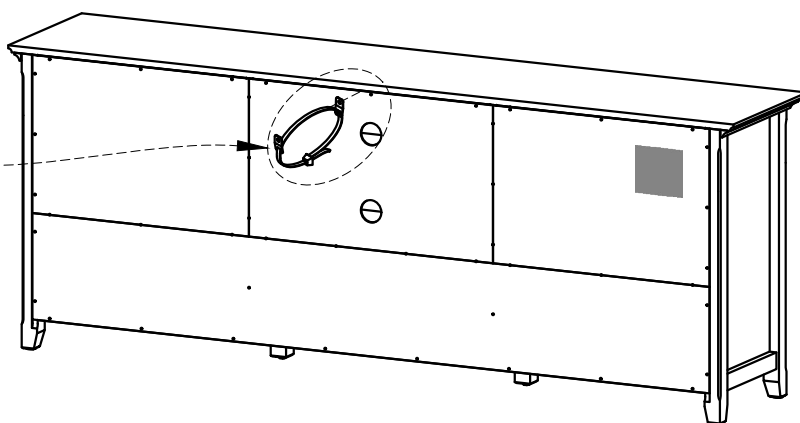
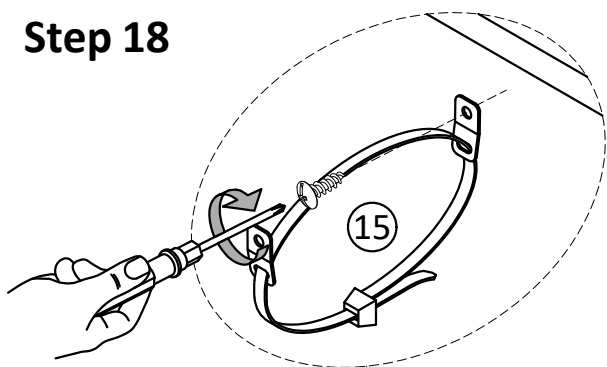
### **WARNING**

Serious or fatal crushing injuries can occur from furniture tip-over. If the furniture tip over restraint kit is not in the box, please contact our customer service department in order to obtain another kit before using the furniture.



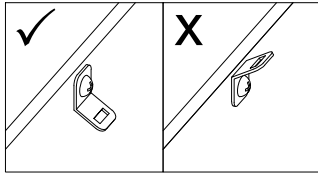
NOTE: The screwdriver is not included in the hardware pack.

### Step 18

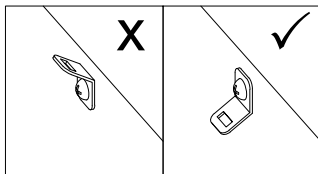


## Furniture Anti-Tipping Restraint Instructions

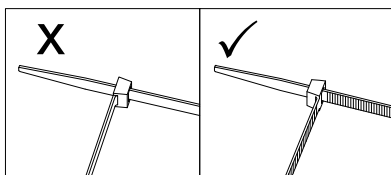
1. Attach one of the mounting brackets securely to the back edge of the furniture. Use the shorter screw.



2. Determine where furniture is to be placed and mark location on the wall for mounting bracket screw hole approximately 2 inches below the bracket mounted to the furniture.



3. Drill a 3/16 inch hole in the wall. Press the plastic anchor into the hole and gently tap until the flange on the anchor is against the wall surface.
4. Position the bracket over the anchor and use the longer screw to securely attach the bracket to the wall.
5. Place the furniture so the back edge is in line with the bracket on the wall.
6. Lace an end of the nylon zip-tie strap down through each bracket. Bring both ends together and slide the smooth side upright through the square-shaped end and pull through to create the "locked" position.
7. Check to make sure the strap is securely laced and locked to the brackets.



- **DO NOT** place heavy objects in top drawers or on top shelves
- **DO NOT** let children climb or hang on drawers, doors or shelves