

# Installation and Care Guide

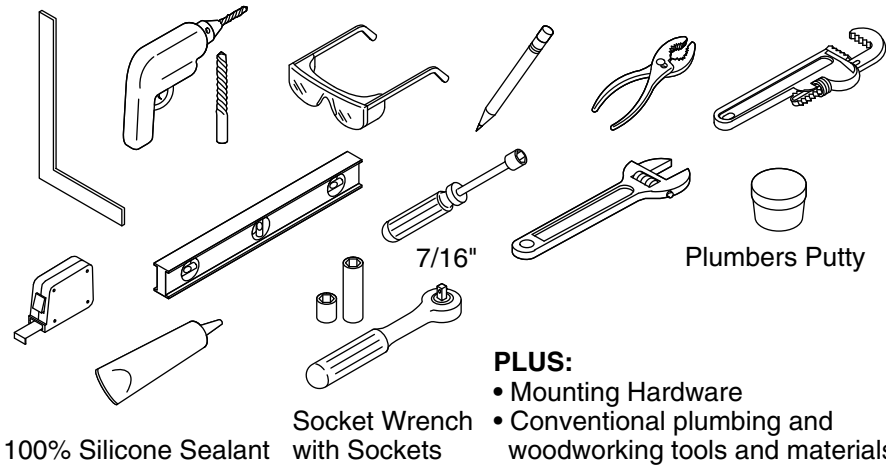
## Freestanding Pedestal Bathroom Sink

Français, page "Français-1"  
Español, página "Español-1"

THE BOLD LOOK  
OF **KOHLER**®

1322338-2-A

## Tools and Materials



## Before You Begin



**WARNING: Risk of personal injury.** Vitreous china can break, chip, or cause injury if it is handled carelessly. Get help lifting and installing this product.

**IMPORTANT!** This installation requires a wall-mounted faucet. In areas with subfreezing winter temperatures, plan to install this product to an interior wall to protect the water supply and drain lines from freezing.

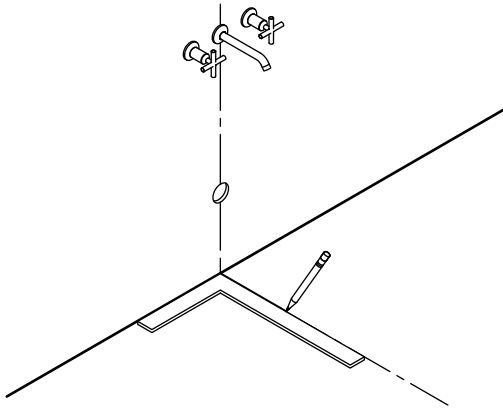
**IMPORTANT!** Kohler Co. strongly recommends the use of 100% silicone sealant as instructed in this installation guide. Other sealants may shrink, separate, and peel over time.

**IMPORTANT!** Make sure that the subfloor is in good condition. Repair or replace the subfloor if necessary.

- Observe all local plumbing and building codes.
- Before installation, unpack the new bathroom sink and inspect it for damage. Return the sink to its protective carton until you are ready to install it.
- Choose appropriate mounting hardware (not provided) and drill bits suitable for the bathroom floor material.
- Install this pedestal sink to the finished floor.
- Ensure the walls and the floor are square, plumb, and level before proceeding with the installation.

**Before You Begin (cont.)**

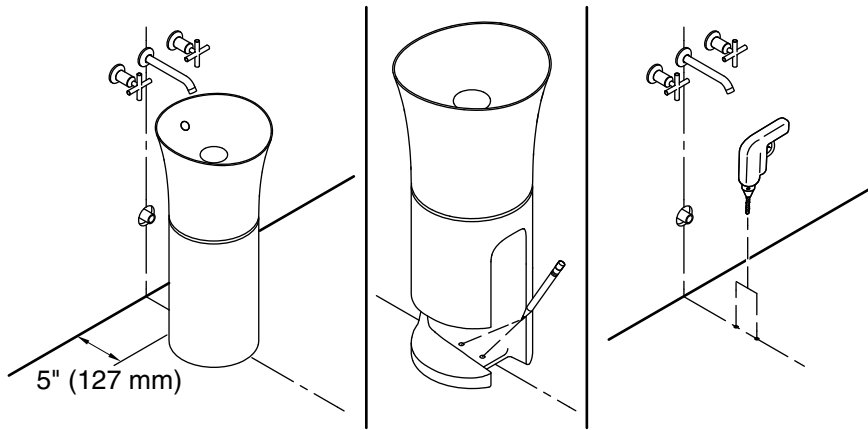
- Fixture dimensions are nominal and conform to tolerances in ASME A112.19.2/CSA B45.1.



## 1. Prepare the Site

**IMPORTANT!** Install the wall-mounted faucet before installing the pedestal sink. This will allow you to position the sink at the correct distance from the wall for your chosen faucet.

- Determine the wall-mounted faucet height based upon the faucet and pedestal sink roughing-in information.
- Install the water supplies and drain pipe for the wall-mounted faucet. Refer to the faucet roughing-in information.
- Install the wall-mounted faucet according to the instructions provided with the faucet.
- Use a pencil to mark the faucet centerline on the floor.



## 2. Position the Sink



**WARNING: Risk of personal injury.** Vitreous china can break, chip, or cause injury if it is handled carelessly. Get help lifting and installing this product.

- Position the pedestal 5" (127 mm) away from the wall, and centered on the faucet centerline mark.
- Carefully position the sink on the pedestal so the sink fits flat on the pedestal.

**NOTE:** Refer to the wall-mounted faucet roughing-in information to determine the sink location based upon the recommended water stream.

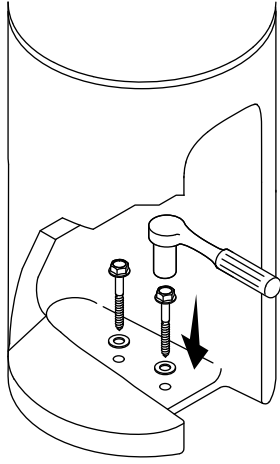
- With help, carefully reposition the sink and pedestal so the water stream from the wall-mounted faucet will contact the sink bowl properly.
- Verify that the sink and pedestal are positioned evenly from the wall, with the sink overflow toward the wall.
- Use a pencil to mark the two pedestal hole locations on the floor.
- With help, carefully move the sink and pedestal away from the area.

**NOTE:** Choose drill bits of the correct type and size for the mounting hardware and floor material.

- Drill two pilot holes at the marked locations.

**Position the Sink (cont.)**

- Install any anchoring devices as needed for the floor material.



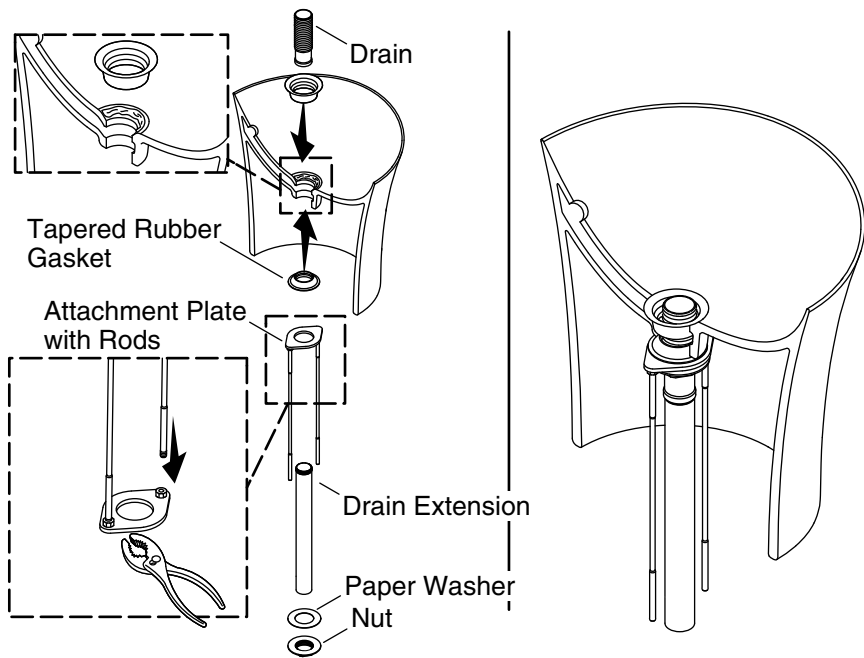
*Use appropriate hardware for the floor material and fastening system.*

### 3. Install the Pedestal

- With help, position the pedestal over the two holes in the floor.

**CAUTION: Risk of product damage.** Avoid damaging the pedestal. Do not overtighten the pedestal fastening hardware.

- Use appropriate fastening hardware for the floor material and fastening system and secure the pedestal to the floor.



#### 4. Assemble the Pedestal Sink



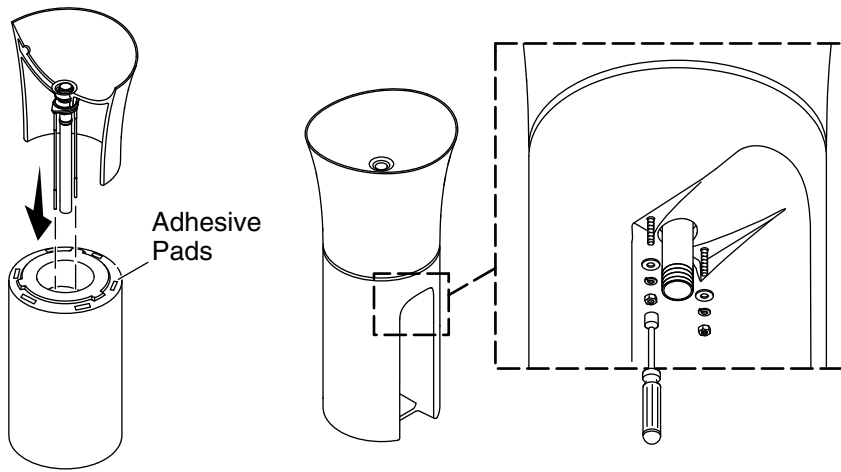
**WARNING: Risk of personal injury.** Vitreous china can break, chip, or cause injury if it is handled carelessly. Get help lifting and installing this product.

**NOTE:** When gripping the rods with pliers, engage the rods about 1" (25 mm) from the ends that will thread into the attachment plate. This will prevent damage to the usable threads.

- Thread the rods into the attachment plate until hand tight. Then use pliers to tighten the rods until snug.
- Apply plumbers putty around the underside of the drain flange.
- Insert the drain body into the sink drain hole, and hold the drain body in place.
- Slide the tapered rubber gasket up against the drain horn.
- Slide the attachment plate with rods onto the drain horn so the rods are positioned to the sides, at the 3 and 9 o'clock positions.
- Slide the paper washer over the drain extension, and hand-tighten the nut to the drain body until snug.

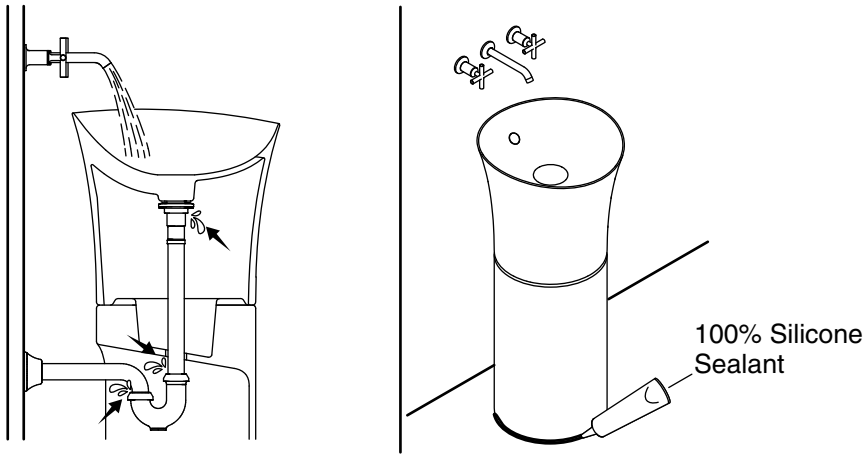
### **Assemble the Pedestal Sink (cont.)**

- Securely hand-tighten the drain extension onto the drain body.
- Position the sink on the pedestal, and adjust the attachment plate as needed so the rods and drain extension extend through the holes in the pedestal.
- Lift the sink away from the pedestal, being careful to avoid shifting the attachment plate and rods.
- Securely wrench tighten the drain nut.
- Remove any excess plumbers putty.



## 5. Secure the Sink

- Evenly space six adhesive pads on the top ledge of the pedestal.
- Carefully position the sink on the pedestal so the rods and drain extension extend into the two holes in the pedestal.
- From below, assemble a flat washer, lock washer, and nut to each rod.
- Use a 7/16" nutdriver to securely tighten the nuts.



## 6. Complete the Installation

**IMPORTANT!** Kohler Co. strongly recommends the use of 100% silicone sealant as instructed in this installation guide. Other sealants may shrink, separate, and peel over time.

- Complete the drain installation according to the instructions included with the drain cap.
- Connect and tighten the trapway to the drain.
- Run water into the sink and check the connections for leaks.

**NOTICE:** Make sure that the silicone sealant bead fills the entire seam around the pedestal base and finished floor.

- Apply a continuous bead of clear, 100% silicone sealant to the seam between the pedestal and the floor.

## Care and Cleaning

For best results, keep the following in mind when caring for your KOHLER product:

- Always test your cleaning solution on an inconspicuous area before applying to the entire surface.
- Wipe surfaces clean and rinse completely with water immediately after applying cleaner. Rinse and dry any overspray that lands on nearby surfaces.
- Do not allow cleaners to soak on surfaces.

## Care and Cleaning (cont.)

- Use a soft, dampened sponge or cloth. Never use an abrasive material such as a brush or scouring pad to clean surfaces.
- Be careful not to leave staining materials in contact with the surface for extended periods of time.
- The ideal cleaning technique is to rinse thoroughly and blot dry any water from the surface after each use.

For detailed cleaning information and products to consider, visit [www.kohler.com/clean](http://www.kohler.com/clean). To order Care & Cleaning information, call 1-800-456-4537.

## Warranty

### ONE-YEAR LIMITED WARRANTY

KOHLER plumbing products are warranted to be free of defects in material and workmanship for one year from date of installation.

Kohler Co. will, at its election, repair, replace or make appropriate adjustment where Kohler Co. inspection discloses any such defects occurring in normal usage within one (1) year after installation. Kohler Co. is not responsible for removal or installation costs. **Use of in-tank toilet cleaners will void the warranty.**

To obtain warranty service contact Kohler Co. either through your Dealer, Plumbing Contractor, Home Center or E-tailer, or by writing Kohler Co., Attn.: Customer Care Center, 444 Highland Drive, Kohler, WI 53044, USA, or by calling 1-800-4-KOHLER (1-800-456-4537) from within the USA and Canada, and 001-800-456-4537 from within Mexico, or visit [www.kohler.com](http://www.kohler.com) within the USA, [www.ca.kohler.com](http://www.ca.kohler.com) from within Canada, or [www.mx.kohler.com](http://www.mx.kohler.com) in Mexico.

**IMPLIED WARRANTIES INCLUDING THAT OF MERCHANTABILITY AND FITNESS FOR A PARTICULAR PURPOSE ARE EXPRESSLY LIMITED IN DURATION TO THE DURATION OF THIS WARRANTY. KOHLER CO. AND/OR SELLER DISCLAIM ANY LIABILITY FOR SPECIAL, INCIDENTAL OR CONSEQUENTIAL DAMAGES.** Some states/provinces do not allow limitations on how long an implied warranty lasts, or the exclusion or limitation of special, incidental or consequential damages, so these limitations and exclusions may not apply to you. This warranty gives you specific legal rights. You may also have other rights which vary from state/province to state/province.

**This is Kohler Co.'s exclusive written warranty.**