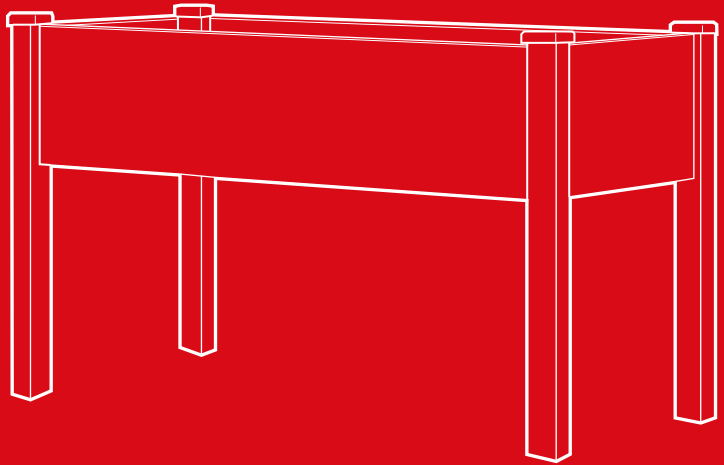




BEST CHOICE
PRODUCTS



INSTRUCTION MANUAL

34x18x30in Rectangular
Elevated Wood Garden Planter

! NOTICE

Please retain these instructions for future reference.

- Do not stand on or use any part of this item as a step ladder.
- Firmly secure all bolts, screws and knobs before use.
- Reconfirm that all bolts, screws, and knobs are secure every 90 days.
- Fasten screws loosely during initial assembly. Do not firmly tighten the screws until the item is completely assembled.
- Do not use or store this item in the proximity of open flame or flammable/combustible chemicals.
- Be aware that some parts are heavy and have sharp edges.
- If any parts are missing, broken, damaged, or worn, stop using this product until repairs are made and/or factory replacement parts are installed.
- Do not use this item in a way inconsistent with the manufacturer's instructions as this could void the product warranty.
- This item is made of wood and may expand due to moisture.
- This product is intended for residential use only.

TOOLS REQUIRED



1 PERSON
ASSEMBLY



APPROXIMATELY
30 MIN.
ASSEMBLY

HARDWARE

1

M4.2 X 40MM
SCREW



32 PCS

2

M4.2 X 30MM
SCREW



8 PCS

3

M6 X 85MM
BARREL NUT &
BOLT SET



4 PCS

4

DOWEL

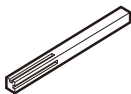


4 PCS

PARTS

A1

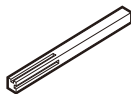
LEG



2 PCS

A2

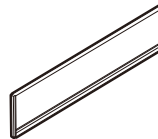
LEG



2 PCS

B

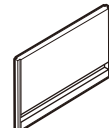
LONG PANEL



2 PCS

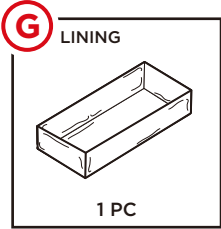
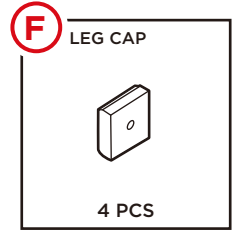
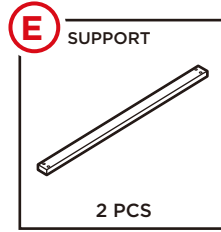
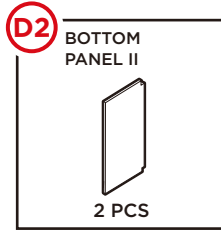
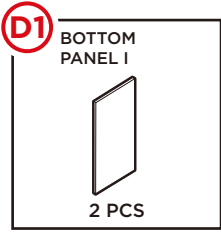
C

SHORT PANEL



2 PCS

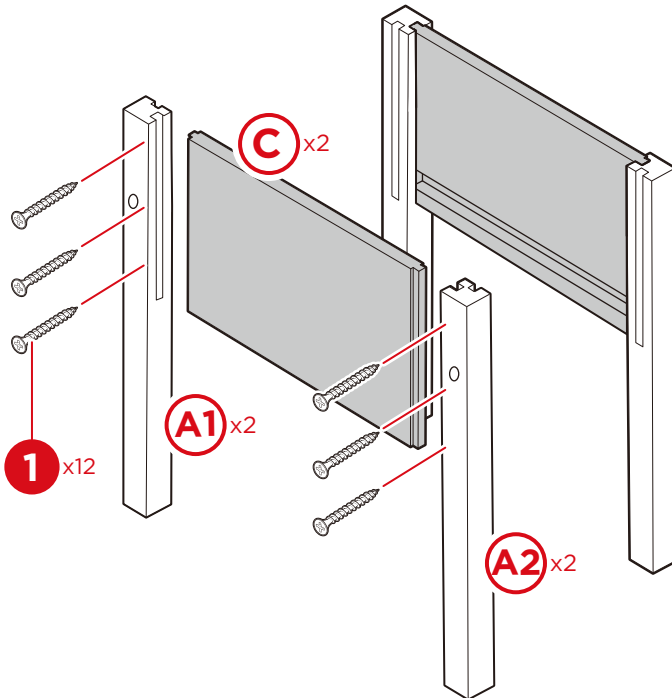
PARTS



PRODUCT ASSEMBLY

1

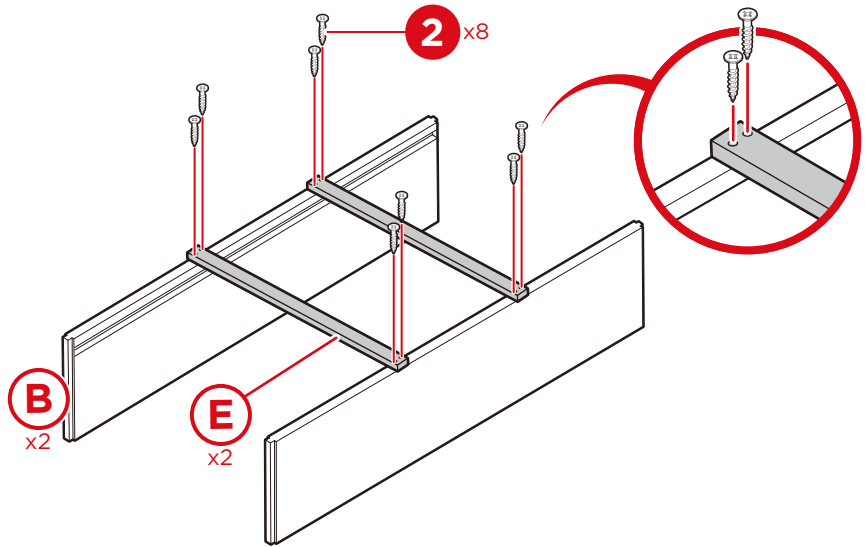
Attach one **part C short panel** to one **part A1 leg** and one **part A2 leg** with six **part 1 screws**, three screws per leg. Repeat to assemble the other short panel.



PRODUCT ASSEMBLY

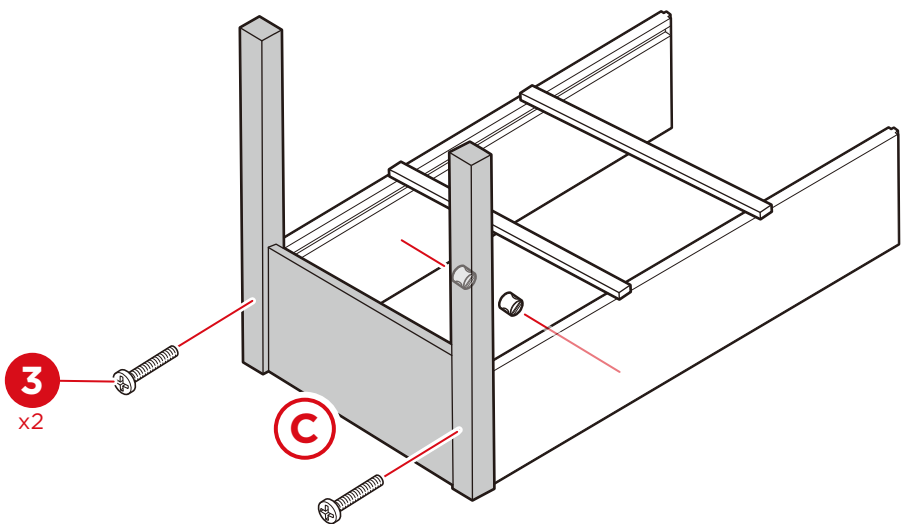
2

Connect two **part B long panels** with two **part E supports** and secure with eight **part 2 screws**.



3

Insert two **part 3 barrel nuts** into the **part B long panels** and secure the **part C short panel assembly** with two corresponding (**part 3**) bolts.

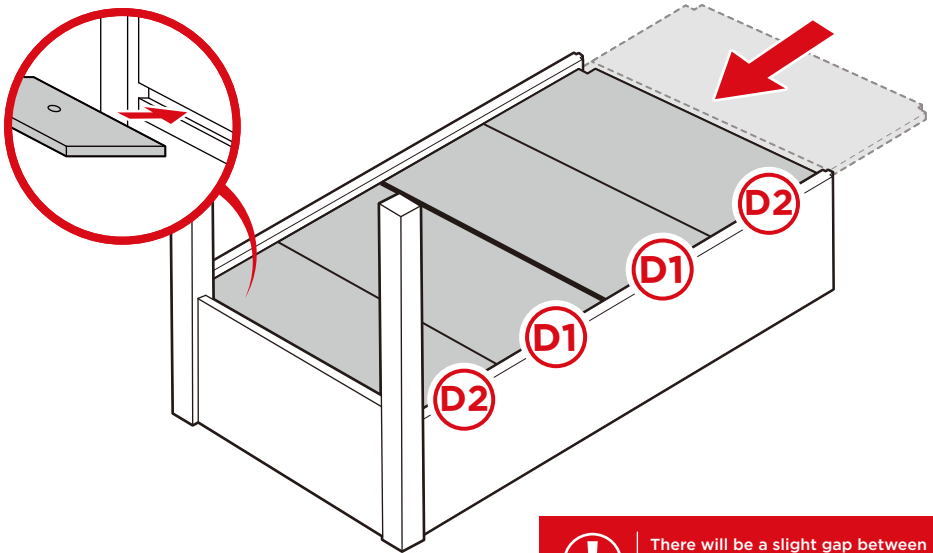


PRODUCT ASSEMBLY

4

Slide two **part D1** and two **part D2 bottom panels** into the designated slots.

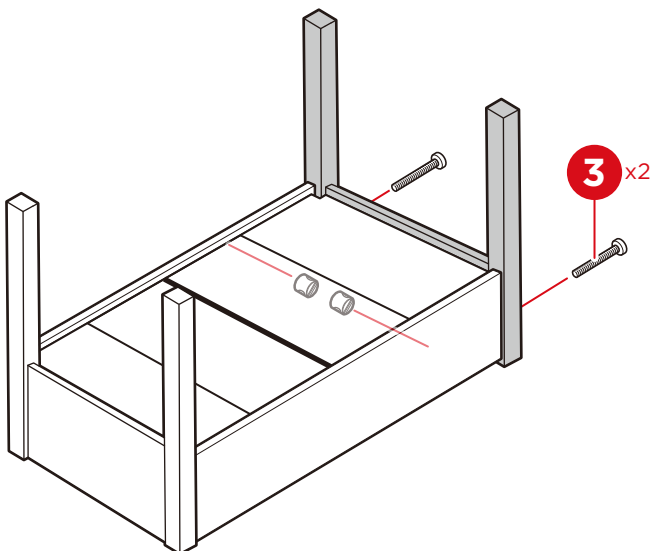
When inserting the **part D1 panels**, push them flush against the **part A(1 & 2) legs**.



There will be a slight gap between the two D panels, this is normal and will reduce warping from moisture.

5

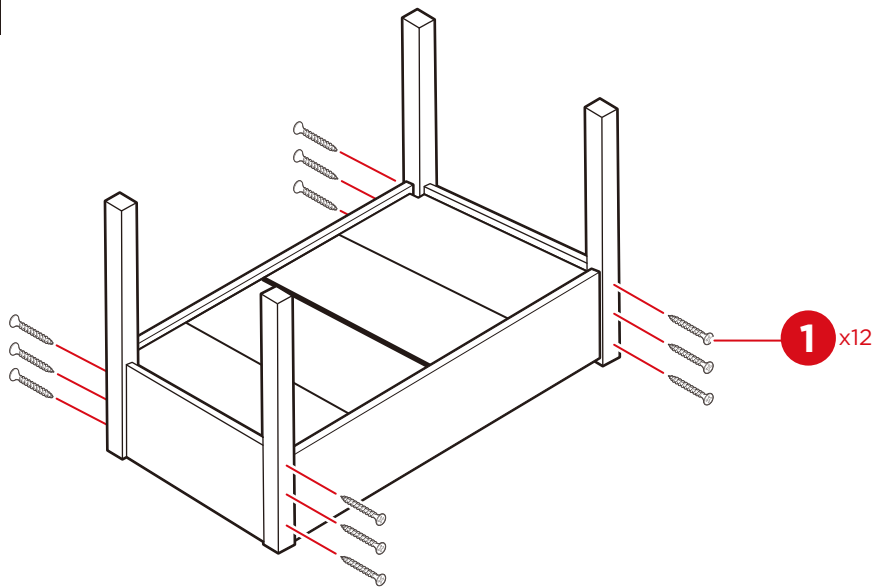
Insert two **part 3 barrel bolts** into the **part B long panels** and secure the **part C short panel assembly** with two corresponding (**part 3**) bolts.



PRODUCT ASSEMBLY

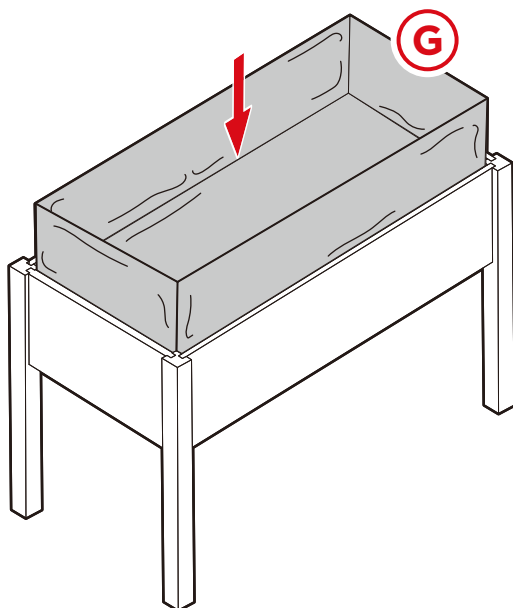
6

Secure the **part A1 & A 2 legs** with twelve **part 1 screws**, three screws per leg.



7

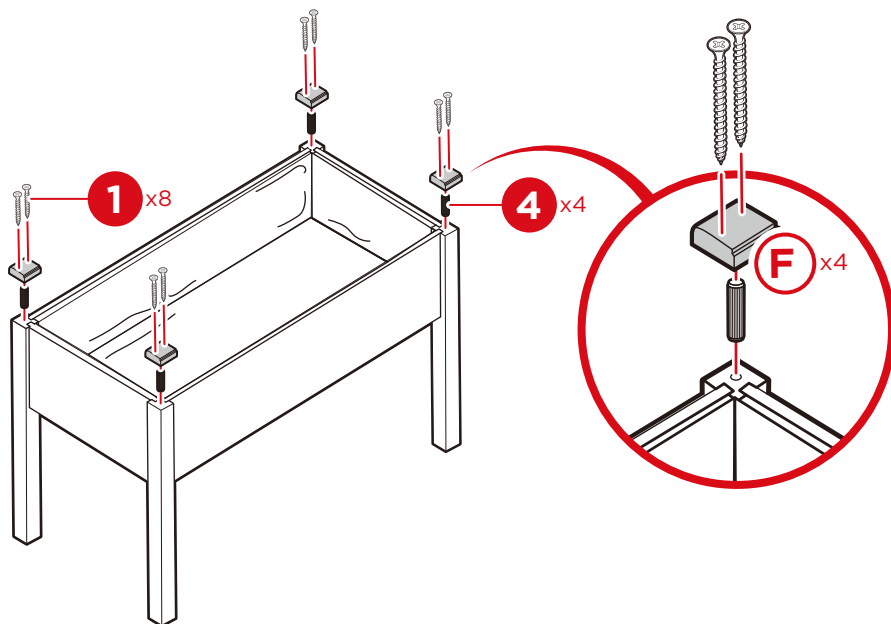
Flip the planter onto its legs. Place the **part G lining**.



PRODUCT ASSEMBLY

8

Attach four **part F leg caps** with four **part 4 dowels**, then secure with eight **part 1 screws**.





HELP CENTER



Question about your product? We're here to help. Visit us at:

help.bestchoiceproducts.com



Product Assembly



Returns & Refunds

PRODUCT WARRANTY INFORMATION

All items can be returned for any reason within 60 days of the receipt and will receive a full refund as long as the item is returned in its original product packaging and all accessories from its original shipment are included. All returned items will receive a full refund back to the original payment method. All returned items will not be charged a re-stocking fee.

All returned items require an RA (Return Authorization) number, which can only be provided by a Best Choice Products Customer Service Representative when the return request is submitted. Items received without an RA may not be accepted or may increase your return processing time. Once an item has been received by Best Choice Products, refunds or replacements will be processed within 5 business days.

All returns must be shipped back to the Best Choice Products Return Center at the customer's expense. If the reason for return is a result of an error by Best Choice Products then Best Choice Products will provide a pre-paid shipping label via email. Boxes for return shipping will not be provided by Best Choice Products, and is the customer's responsibility to either use the original shipping boxes or purchase new boxes.

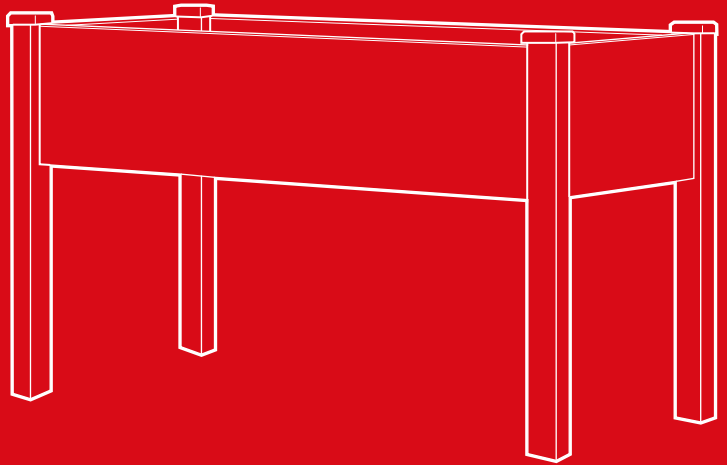
Pictures may be required for some returns to ensure an item is not damaged prior to its return. Items returned are not considered undamaged until they are received by Best Choice Products and verified as such. All damages to items are the customer's responsibility until the item has been received by and acknowledge by Best Choice Products as undamaged.

WARNING

Manufacturer and seller expressly disclaim any and all liability for personal injury, property damage or loss, whether direct, indirect, or incidental, resulting from the incorrect attachment, improper use, inadequate maintenance, or neglect of this product.



BEST CHOICE
PRODUCTS



INSTRUCTION MANUAL

Rectangular Elevated Wood
Garden Planter



BEST CHOICE
PRODUCTS

As shoppers, we're always trying to find the perfect balance between quality & value. At BCP, we believe we've achieved that. Our diverse catalog of everyday essentials is tailored especially to our customers & guaranteed to hit that sweet spot of high quality & low price.

— Always. —

! NOTICE

Please retain these instructions for future reference.

- For residential use only.
- Do not stand on or use any part of this item as a step ladder.
- Firmly secure all bolts, screws and knobs before use.
- Reconfirm that all bolts, screws, and knobs are secure every 90 days.
- Fasten screws loosely during initial assembly. Do not firmly tighten the screws until the item is completely assembled.
- Do not use or store this item in the proximity of open flame or flammable/combustible chemicals.
- Be aware that some parts are heavy and have sharp edges.
- If any parts are missing, broken, damaged, or worn, stop using this product until repairs are made and/or factory replacement parts are installed.
- Do not use this item in a way inconsistent with the manufacturer's instructions as this could void the product warranty.
- This item is made of wood and may expand due to moisture.
- This product is intended for residential use only.

TOOLS REQUIRED



1 PERSON
ASSEMBLY



UP TO 20 MIN.
ASSEMBLY

HARDWARE

1 M3.5 X 40MM
SCREW



24 PCS

2 M3.5 X 30MM
SCREW



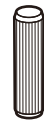
8 PCS

3 M3.5X 45MM
SCREW



8 PCS

4 DOWEL



4 PCS

5 BARREL NUT



4 PCS

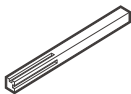
6 BARREL BOLT



4 PCS

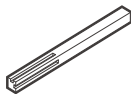
PARTS

A1 LEG



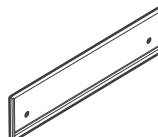
2 PCS

A2 LEG



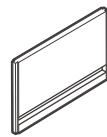
2 PCS

B LONG PANEL



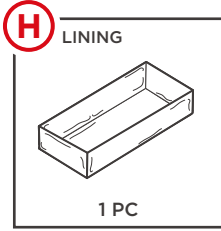
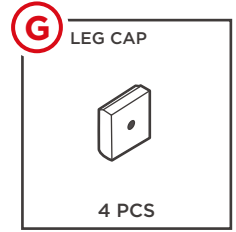
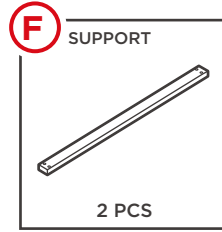
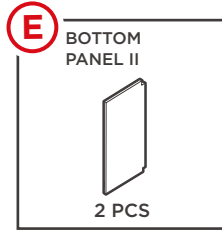
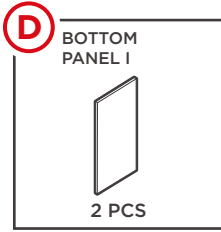
2 PCS

C SHORT PANEL



2 PCS

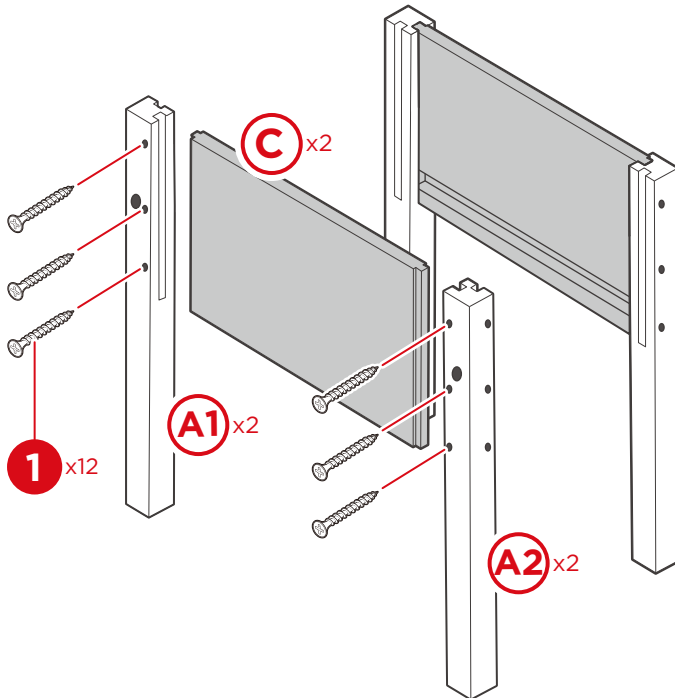
PARTS



PRODUCT ASSEMBLY

1

Attach one **part C short panel** to one **part A1 leg** and one **part A2 leg** with six **part 1 screws**, three screws per leg. Repeat to assemble the other short panel.



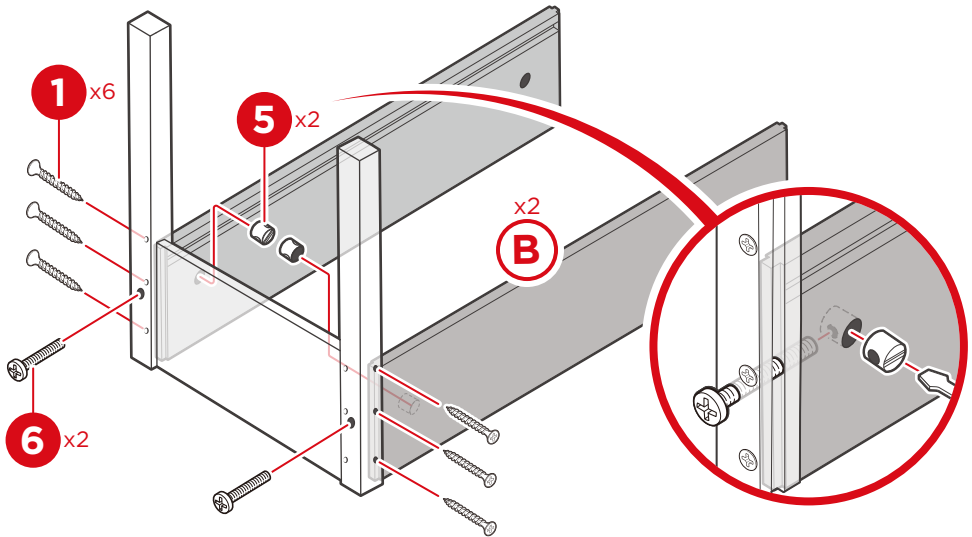
PRODUCT ASSEMBLY

2

Attach two **part B long panels** to a short panel side with **six part 1 screws**.

Insert a **part 5 barrel nut** and into the **part B long panel** and secure with a **part 6 barrel bolt**.

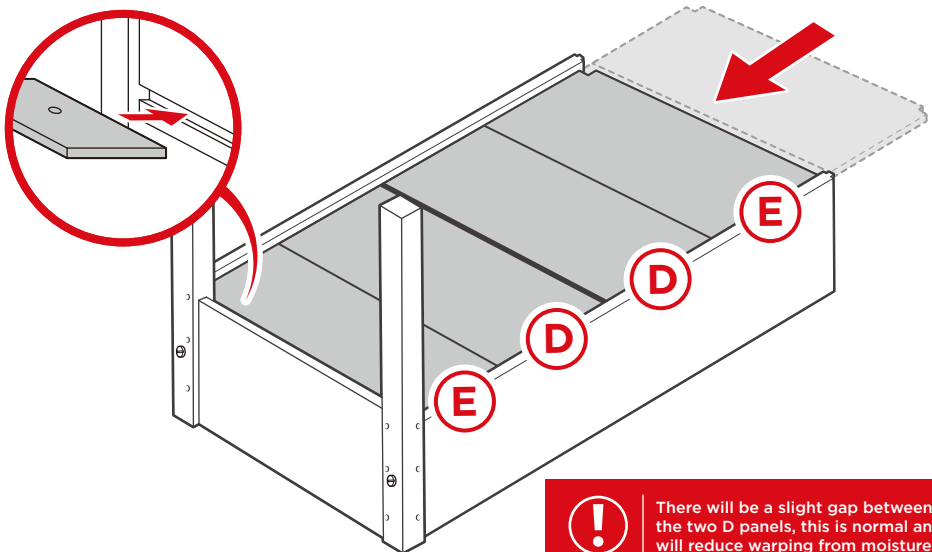
Repeat to secure the other side.



3

Slide two **part D** and two **part E bottom panels** into the designated slots.

When inserting the **part E** panels, push them flush against the **part A** legs.



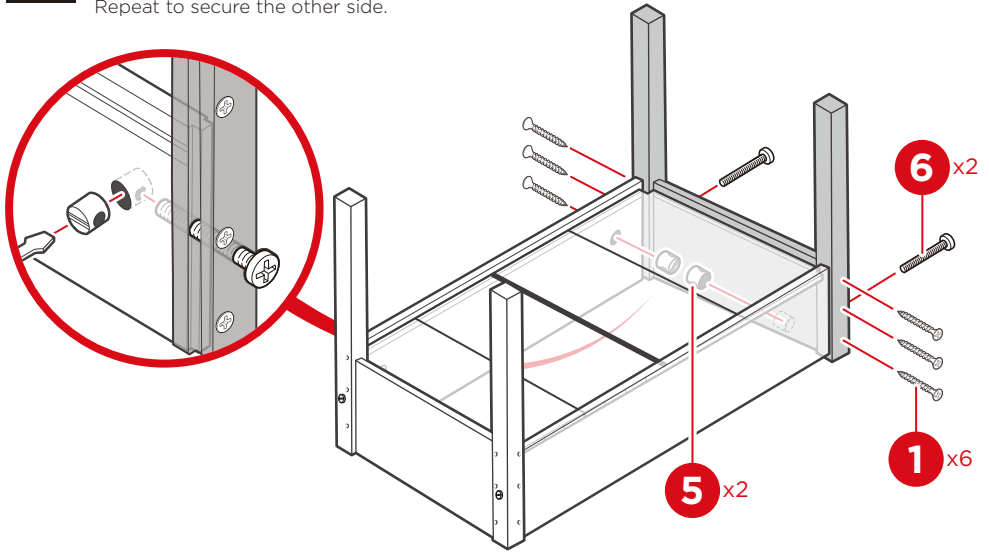
There will be a slight gap between the two D panels, this is normal and will reduce warping from moisture.

PRODUCT ASSEMBLY

4

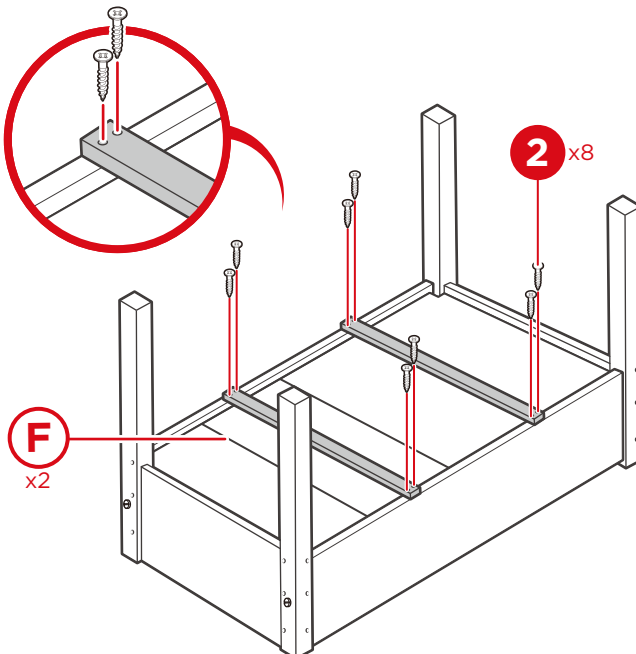
Attach the other short panel side with six **part 1** screws.

Insert a **part 5** barrel nut and into the **part B** long panel and secure with a **part 6** barrel bolt.
Repeat to secure the other side.



5

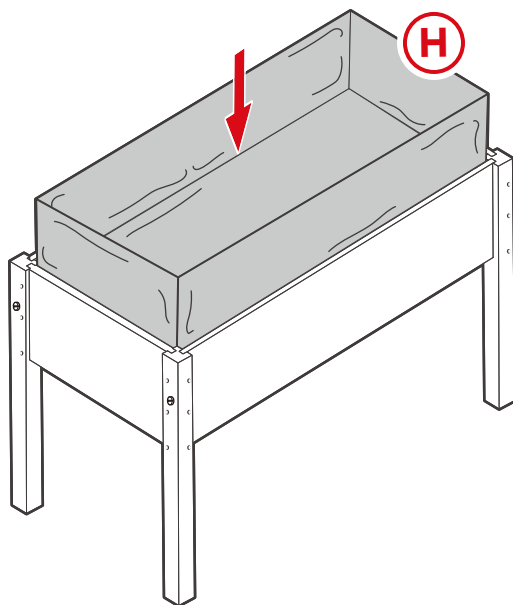
Attach two **part F** supports with eight **part 2** screws.



PRODUCT ASSEMBLY

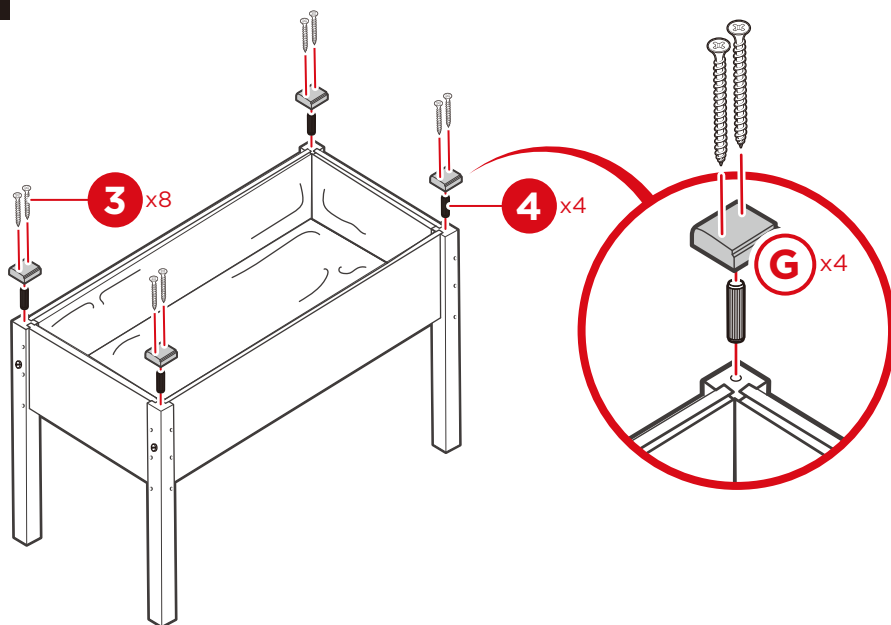
6

Flip the planter onto its legs. Place the **part H lining**.



7

Attach four **part G leg caps** with four **part 4 dowels** and eight **part 3 screws**.





HELP CENTER



Question about your product? We're here to help. Visit us at:

help.bestchoiceproducts.com



Chat Support



Product Inquiry



Orders FAQ



Product Assembly



Returns & Refunds

PRODUCT WARRANTY INFORMATION

All items can be returned for any reason within 60 days of the receipt and will receive a full refund as long as the item is returned in its original product packaging and all accessories from its original shipment are included. All returned items will receive a full refund back to the original payment method. All returned items will not be charged a re-stocking fee.

All returned items require an RA (Return Authorization) number, which can only be provided by a Best Choice Products Customer Service Representative when the return request is submitted. Items received without an RA may not be accepted or may increase your return processing time. Once an item has been received by Best Choice Products, refunds or replacements will be processed within 5 business days.

All returns must be shipped back to the Best Choice Products Return Center at the customer's expense. If the reason for return is a result of an error by Best Choice Products then Best Choice Products will provide a pre-paid shipping label via email. Boxes for return shipping will not be provided by Best Choice Products, and is the customer's responsibility to either use the original shipping boxes or purchase new boxes.

Pictures may be required for some returns to ensure an item is not damaged prior to its return. Items returned are not considered undamaged until they are received by Best Choice Products and verified as such. All damages to items are the customer's responsibility until the item has been received by and acknowledge by Best Choice Products as undamaged.

WARNING

Manufacturer and seller expressly disclaim any and all liability for personal injury, property damage or loss, whether direct, indirect, or incidental, resulting from the incorrect attachment, improper use, inadequate maintenance, unapproved modification, or neglect of this product.