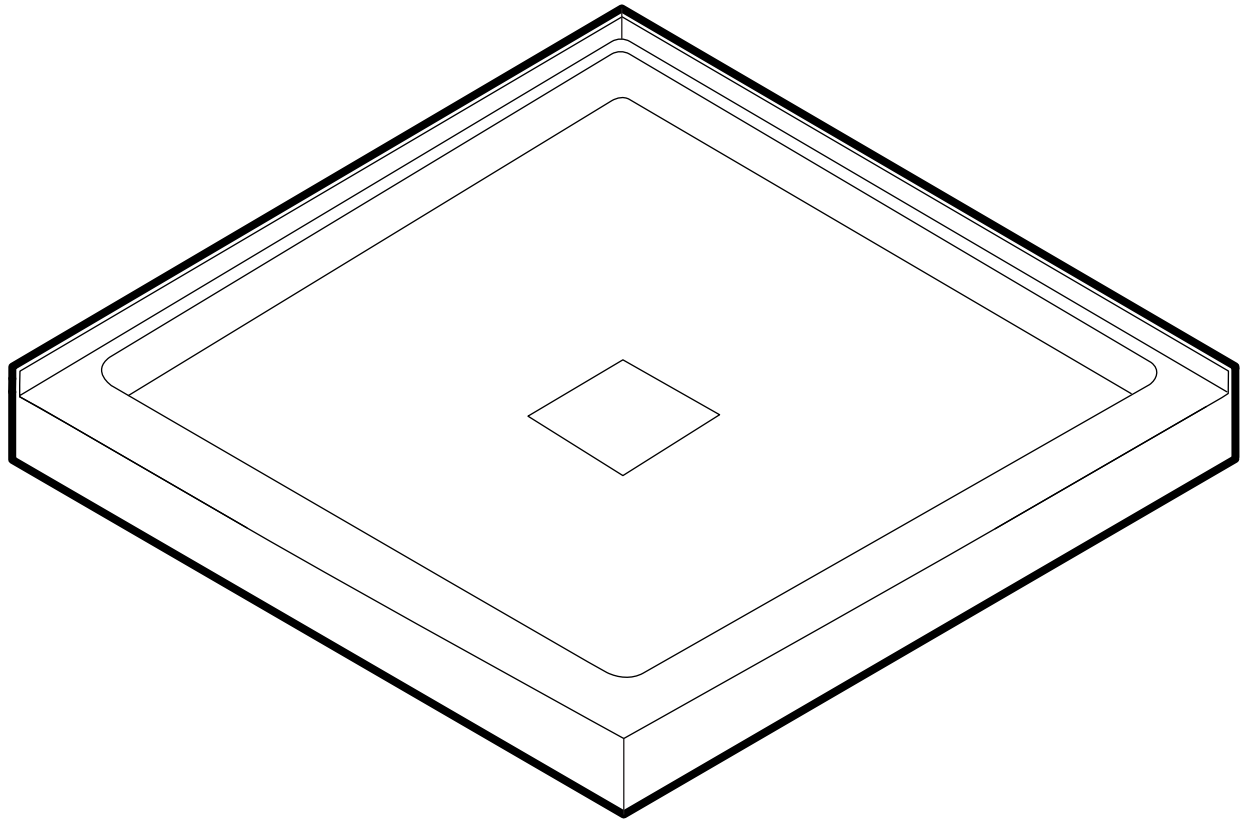


Shower Base

INSTALLATION INSTRUCTIONS





PRIOR TO INSTALLATION:

- Inspect product to ensure no damages have occurred while in shipping.
- Observe all plumbing and building codes in accordance with your state and local requirements.
- All dimensions are nominal! Be sure to measure your shower prior to installation.
- The step-by-step guidelines in the installation instructions are a general reference. Should there be any discrepancies, Swiss Madison cannot be held liable. It is recommended to install all Swiss Madison products by hiring a licensed professional.
- Read installation and maintenance instructions thoroughly before installing. Be sure to use proper tools and always wear proper personal safety accessories for your protection.
- Two people are recommended to handle and install this product.
- Make sure all wood studs and supports are properly installed.
- Verify all the necessary plumbing is installed by a certified plumber.
- Floor drain and trap are not included.
- Do not use drywall screws to secure flangers to wall studs. Product damage will occur and will void the warranty. Entire bottom support must be in contact with a flat, level surface.

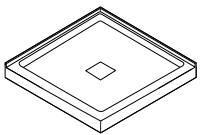
QUESTIONS OR CONCERNS?

Please contact us:

1-434-623-4766

info@swissmadison.com

INCLUDED PARTS:



Shower Base

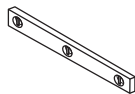
SUGGESTED TOOLS & MATERIALS:



Safety Glasses



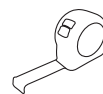
Plastic Film



Level



Screwdrivers



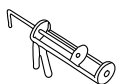
Tape Measure



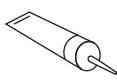
Shims



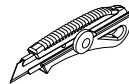
Drill



Caulk Gun



Silicone
(1 tube)



Precision
Knife



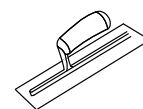
Pencil



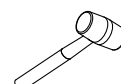
Set Square



Mortar



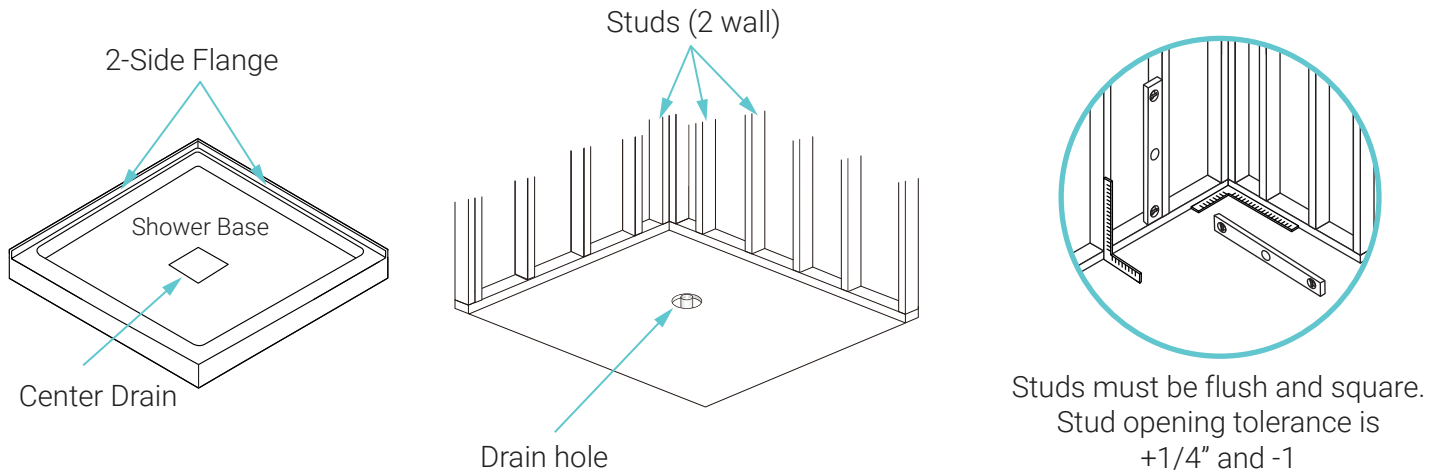
Trowel



Mallet

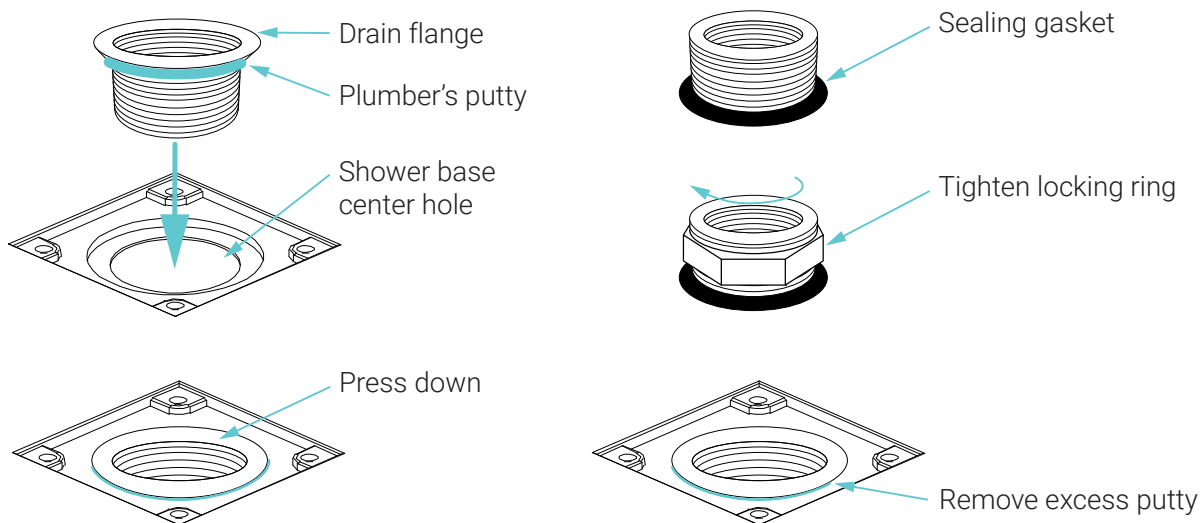
1 Rough-In

- Rough plumbing must be pre-installed by a certified plumber before installation.
- If floor drain-hole installation is needed, contact a certified plumber.
- Dimensions given during roughing-in are crucial for a proper installation.
- Shower bases come in different sizes, make sure to measure studs and drain hole accordingly.



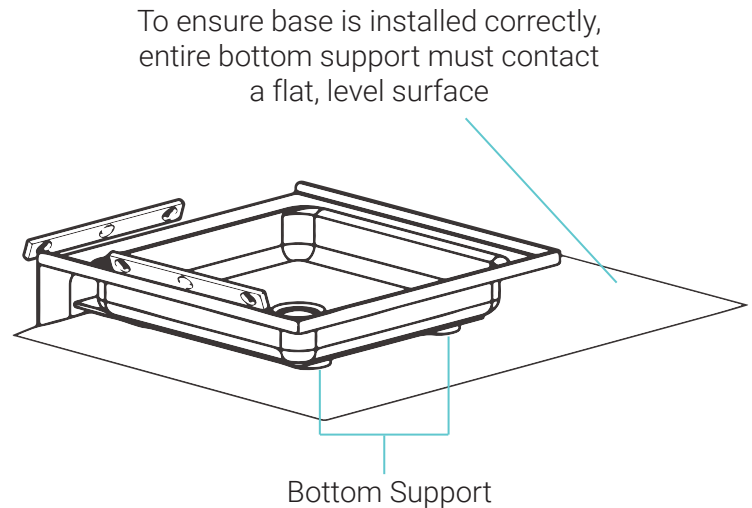
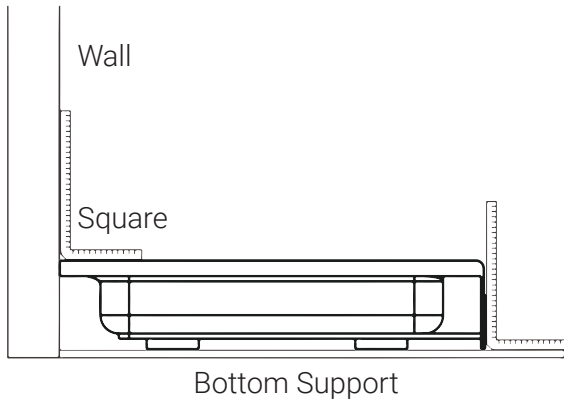
2 Install Shower Drain Flange

- Apply plumber's putty around the underside of the drain flange.
- Place the drain flange through the top side of the shower base hole. Press down to tighten.
- Place the sealing gasket over the drain flange to the underside of the shower base.
- Tighten the locking ring down with adjustable pliers.
- Remove any excess putty from the top of the drain.



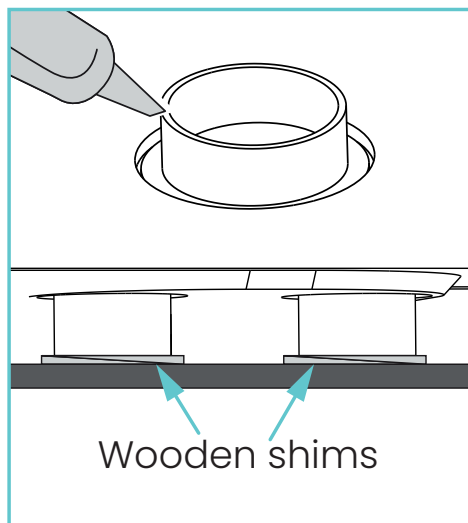
3 Level the Shower Base to the Floor

- Set the shower base into the prepared alcove. Use a level to ensure that the base is level for proper drainage. If sub-floor is not level, you can use either wooden shims or a leveling smooth mortar compound.



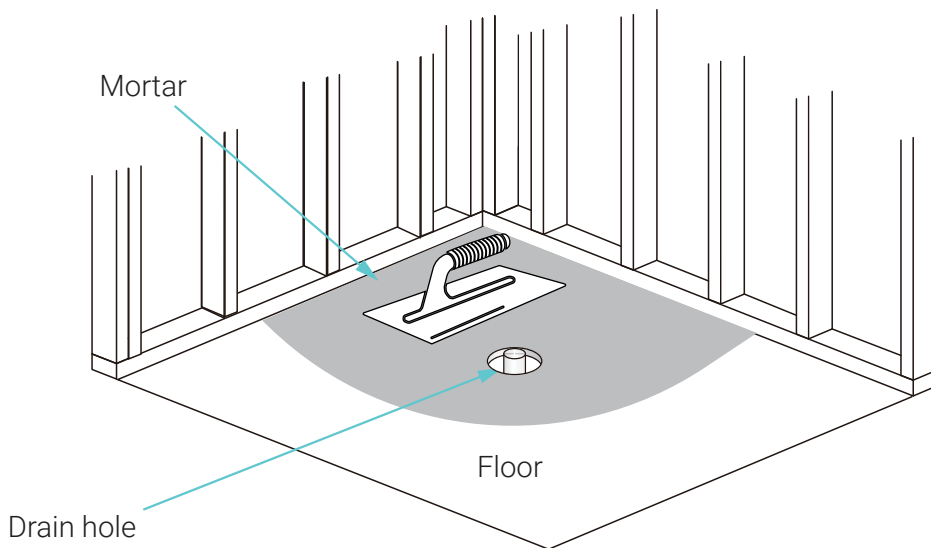
3A Using Wooden Shim

- If using wooden shims, remove shower base from alcove, and apply construction adhesive to all shower base feet. Place the tray into the alcove and level by placing the feet (with construction adhesive) on the wooden shims.



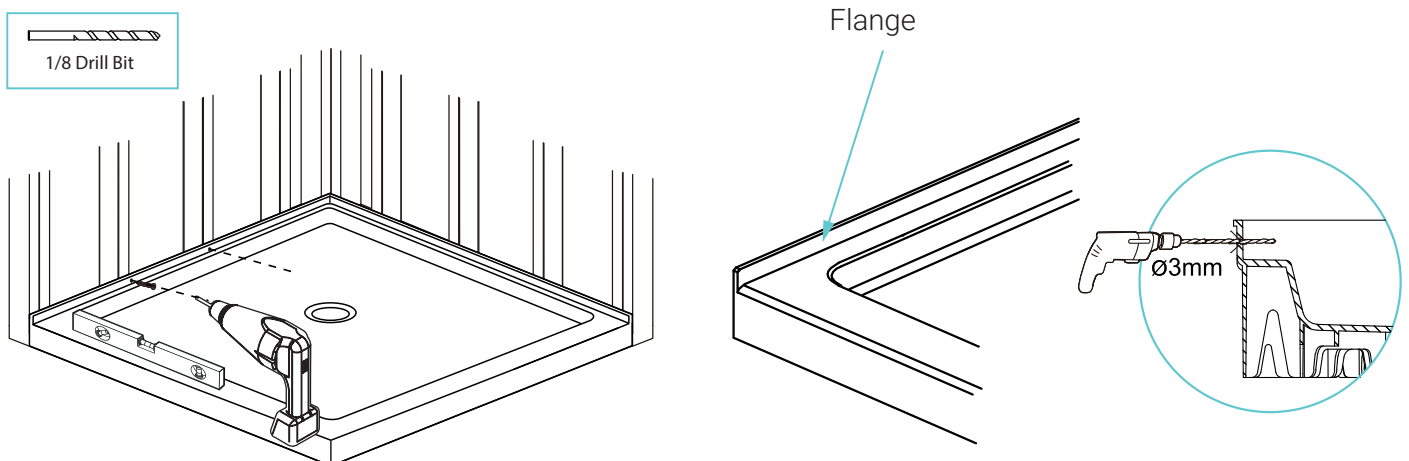
3B Using Mortar Compound

- If using mortar, remove the shower base from alcove and apply the mortar properly mixed with clean water on the floor. Avoid applying mortar to the hole. Use light mortar (sand mix), otherwise warranty will be null.
- Once mortar is leveled and still wet, press the shower base into place and make sure to apply weight (full water buckets work well) to the tray to ensure proper adhesion. Use level again to check if the shower base is properly aligned. Allow mortar to fully cure before proceeding further.



4 Drill the Flange on the Shower Base

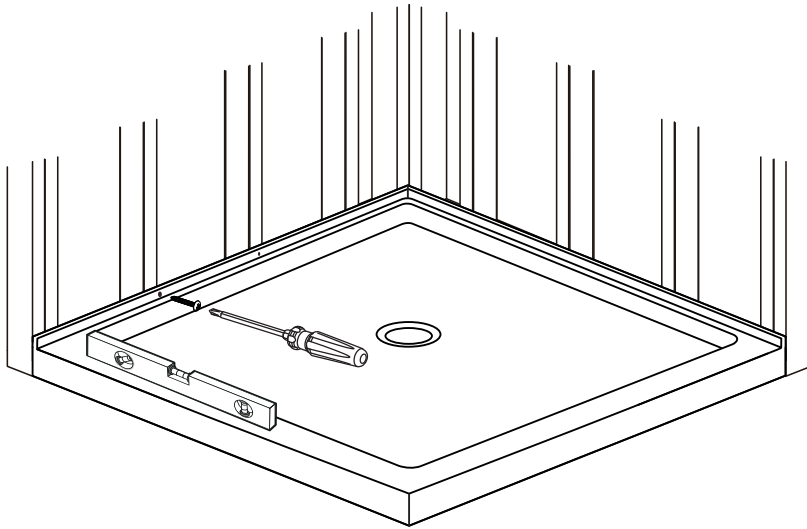
- Using a $\frac{1}{8}$ drill bit, drill the flange of the shower base against the wall studs. Make sure that the shower base is leveled before drilling.



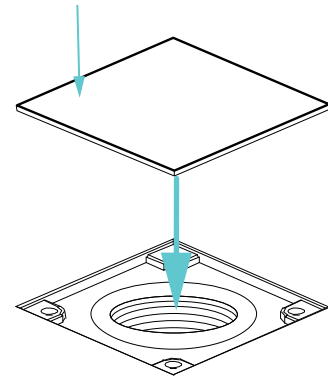
5 Secure the Shower Base

- Screw shower base flange to the wall studs using flat head screws.

Tip: Apply a small dab of silicone to the screws when installing to avoid any potential squeaking with contraction of the studs. Shimming between the studs and the shower base tile flange may be required. Do not over tighten screws to prevent damaging the base.

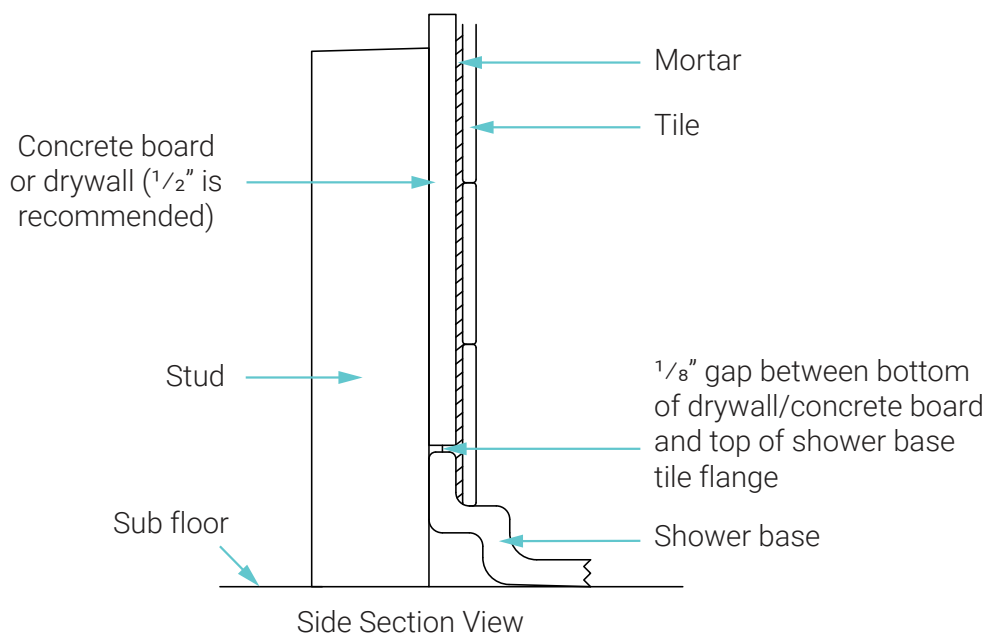


Place the drain cover cap if included with your model.



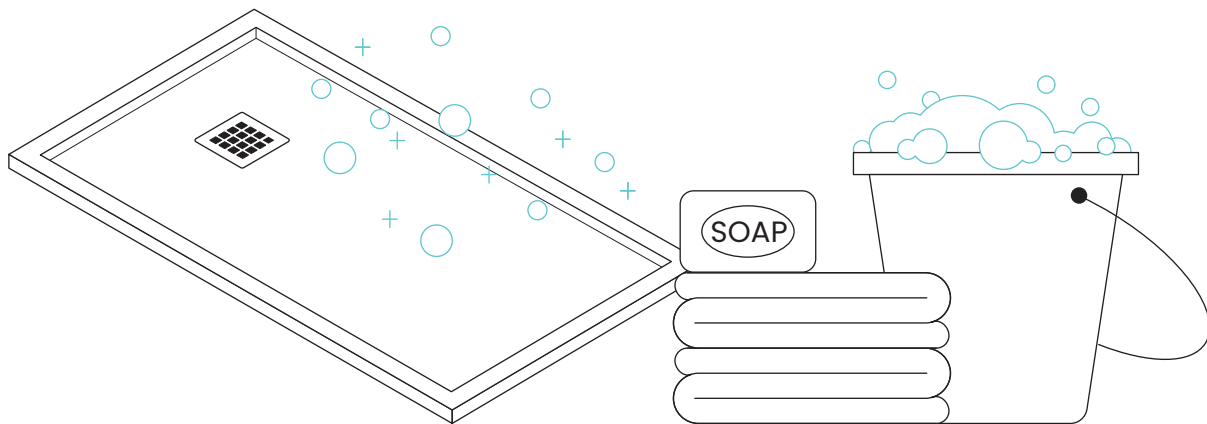
6 Framing and Shower System Installation

- Proceed to the installation of any framing and shower system rough-in. If using drywall for shower walls, be sure to waterproof the surface. If tiling the walls, use a waterproof adhesive for installation. Refer to the drawing below for proper installation order.

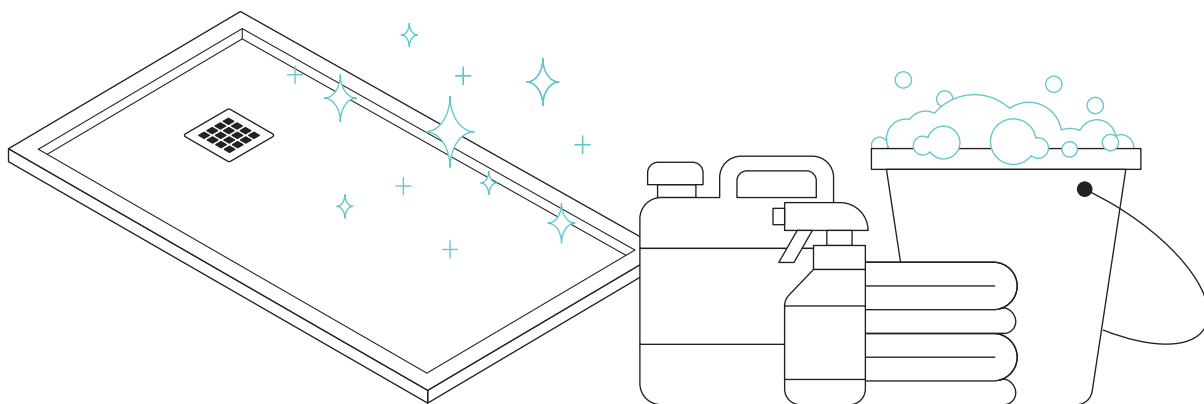


7 Routine Maintenance

- You may use soap and water with a soft cloth or cleaning cloth. Do NOT use a scouring pad or sponge to avoid scratching. Daily cleaning is recommended.



- For a deeper clean, you may use a commercial cleaning product, but it is important to rinse thoroughly and ensure the pan dries after cleaning to avoid prolonged stains.



ONE-YEAR LIMITED WARRANTY

Swiss Madison® products are made with quality materials and excellent craftsmanship to provide our customers with beautiful, durable, long-lasting products. Should there be any defects in materials or craftsmanship under regular use that are discovered within the first year after delivery, Swiss Madison® will provide replacement parts at no charge, or at its discretion, replace any product or part of the product that is deemed defective, under normal installation, use, service or maintenance. This warranty applies only to the original purchaser. Proof of purchase must be submitted with any warranty claim.

Swiss Madison® recommends that all installations of Swiss Madison® products to be conducted by a licensed plumber or contractor. Swiss Madison® will not be held responsible for any damage or product failure due to improper installation, misuse, or failure to utilize a licensed plumber or contractor for installation. Swiss Madison® is not responsible for any installation or removal costs.

THIS ONE-YEAR LIMITED WARRANTY WILL BE VOIDED IF:

- The installation instructions were not followed by the installer
- The product has been moved from its initial place of installation
- The product has in any way been modified from its original condition
- The product has been subjected to improper maintenance, abuse, misuse, excessive use of chemicals, accidents, or other damages

Swiss Madison® makes no warranty that its products comply with any local building or plumbing codes. It is the consumer's responsibility and obligation to determine local code compliance prior to and during installation.

Swiss Madison® is not responsible for any special, incidental or consequential damages associated with the installation, replacement, return or use of the original purchaser's product. This includes, but is not limited to: freight costs, labor, travel time, lost profit, home damages and other contingent liabilities and costs (including, without limitation, costs associated with 'professionals' or 'experts', investigations, audits, analyses, attorneys and any other professional/hired services). Some states do not allow the exclusion or limitation of incidental or consequential damages, so the above limitation or exclusion may not apply to you.

The Swiss Madison® warranty is a comprehensive and explicit limit of liability. All other warranties are hereby disclaimed and waived.

QUESTIONS OR CONCERNS? Please contact us directly at: 1-434-MADISON (623-4766)



WARNING:

Contents of your order may contain sharp and possibly other harmful pieces and may cause hazard to children and adults. Swiss Madison® is not responsible in any way for personal injuries or damages.