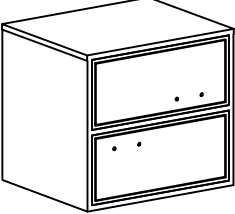
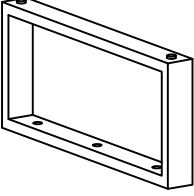
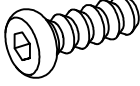


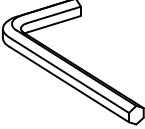

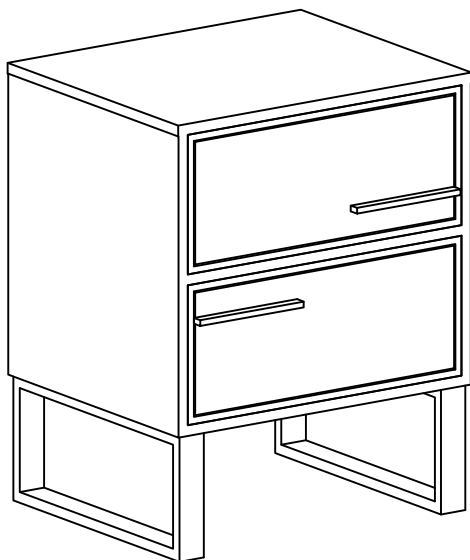


ASSEMBLY INSTRUCTION

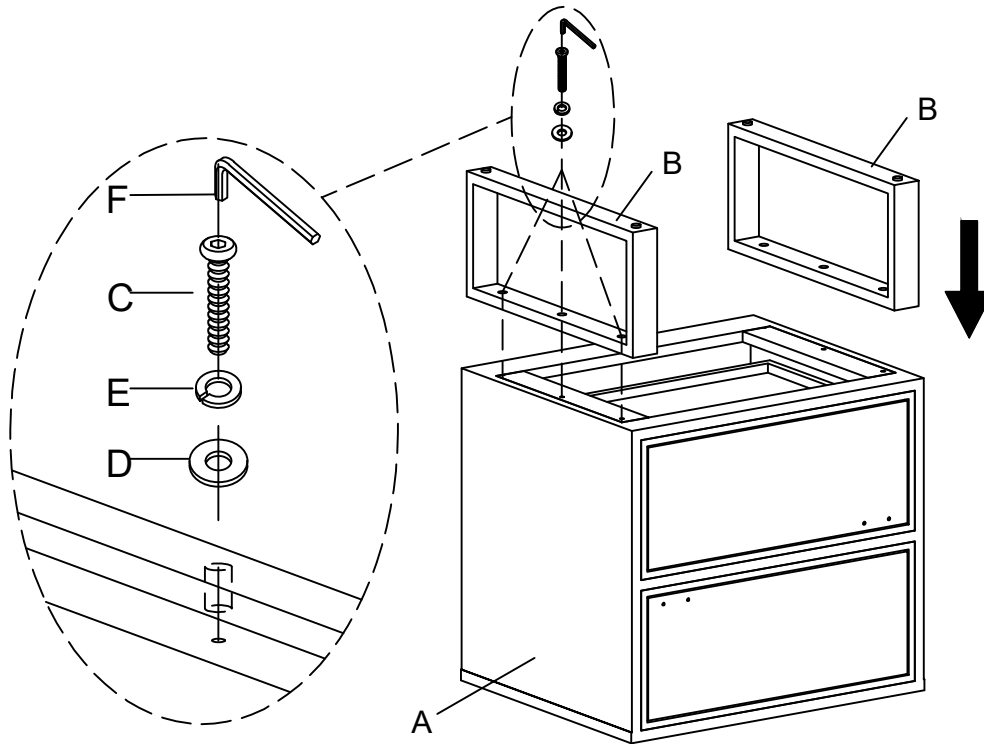
2-DRAWER SIDE TABLE

A Table Body	B Table Base	C Bolt Ø1/4"x1-1/4"	D Flat Washer Ø1/4"x16mm
			
1pc	2pcs	6pcs	6pcs
E Lock Washer Ø1/4"x11mm	F Allen Key M4	G Screwdriver (Not Provided)	
			
6pcs	1pc	1pc	

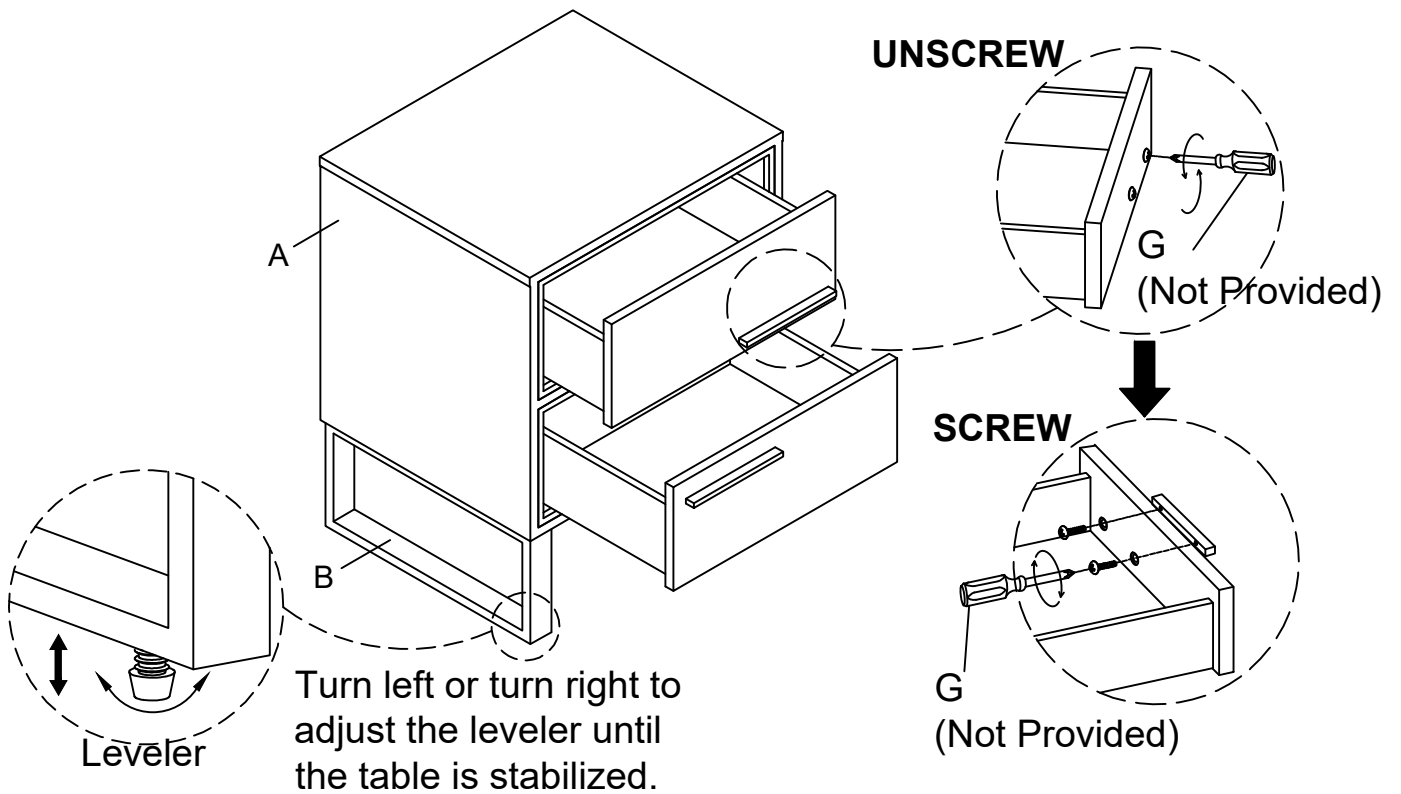


This page lists all the contents included in the box. Please take the time to identify the hardware as well as the individual components to this product. As you unpack and prepare for assembly, place the contents on a carpeted or padded area to protect them from damage.

- 1** Attach Table Base (B) to Table Body (A) using Bolt (C), Lock Washer (E), Flat Washer (D) by Allen Key (F) as shown.



- 2** Unscrew and take out the drawer handle from inside of the drawer of Table Body (A), then install the handle to the front side of drawer box by Screwdriver (G).



Cleaning & Care

Treat surface with care. Surface is resistant to scratches but is not scratch resistant. Clean surfaces with a dry or damp soft cloth. Do not use abrasive cleaners. Hardware may loosen over time. Periodically check that all connections are tight.