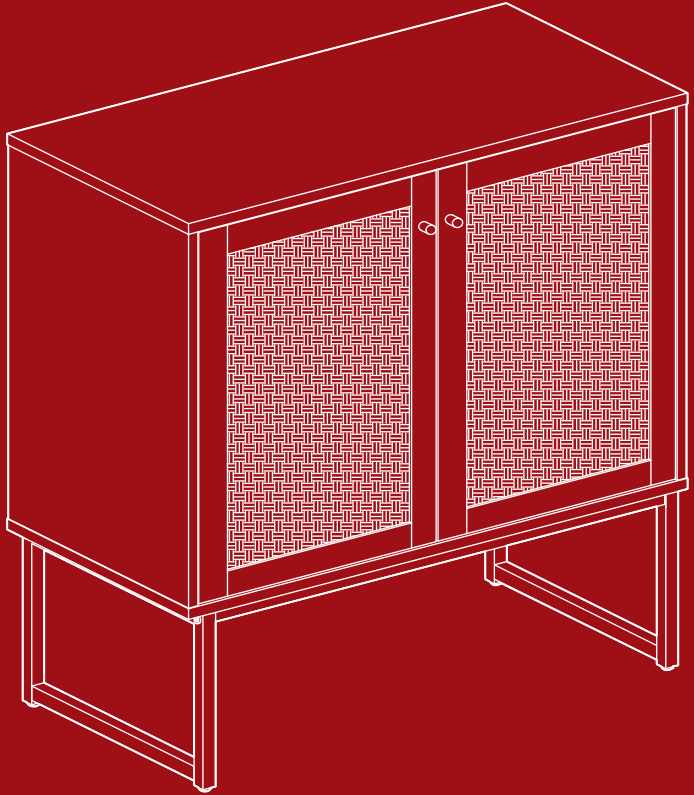




BEST CHOICE  
PRODUCTS



# INSTRUCTION MANUAL

---

2-Door Storage Cabinet



**BEST CHOICE  
PRODUCTS**

---

As shoppers, we're always trying to find the perfect balance between quality & value. At BCP, we believe we've achieved that. Our diverse catalog of everyday essentials is tailored especially to our customers & guaranteed to hit that sweet spot of high quality & low price.

— Always. —

# NOTICE

Please retain these instructions for future reference.

- Please do not exceed the weight limitations of this item.
- Do not stand on or use any part of this item as a step ladder.
- Firmly secure all bolts, screws, and knobs before use.
- Reconfirm that all bolts, screws, and knobs are secure every 90 days.
- Fasten screws loosely during initial assembly. Do not firmly tighten the screws until the item is completely assembled.
- Do not use or store this item in the proximity of open flame or flammable/combustible chemicals.
- Be aware that some parts are heavy and have sharp edges.
- If any parts are missing, broken, damaged, or worn, stop using this product until repairs are made and/or factory replacement parts are installed.
- Do not use this item in a way inconsistent with the manufacturer's instructions as this could void the product warranty.
- This product is intended for residential use only.

## TOOLS REQUIRED



66 LBS  
TOP BOARD  
CAPACITY



33 LBS  
SHELF  
CAPACITY



66 LBS  
BOTTOM BOARD  
CAPACITY



## HARDWARE

**A** M6 X 35MM CAM BOLT  
  
8 PCS

**B** Ø15 X 15MM CAM LOCK  
  
8 PCS

**C** Ø7.8 X 30MM DOWEL  
  
12 PCS

**D** M7 X 38MM SCREW  
  
4 PCS

**E** M6 X 40MM BOLT  
  
4 PCS

**F** M6 X 28MM BOLT  
  
6PCS

**G** HANDLE  
  
2 PCS

**H** M4 X 18MM SCREW  
  
2 PCS

**I** HINGE  
  
4 PCS

**J** M3.5 X 14MM SCREW  
  
24 PCS

**K** SCREW GUIDE  
  
4 PCS

**L** M3 X 14MM SCREW  
  
4 PCS

**M** FOOT CAP  
  
4 PCS

## PARTS

**1** CABINET TOP



1 PC

**2** CABINET BOTTOM



1 PC

**3** CABINET LEFT SIDE



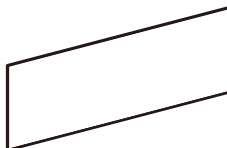
1 PC

**4** CABINET RIGHT SIDE



1 PC

**5** CABINET BACK PANEL



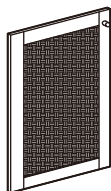
2 PCS

**6** CABINET SHELF



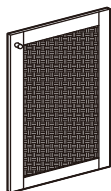
1 PC

**7** LEFT DOOR



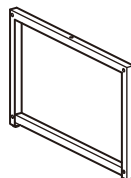
1 PC

**8** RIGHT DOOR



1 PC

**9** BASE SIDE FRAME



2 PCS

**10** BASE FRAME CONNECTOR

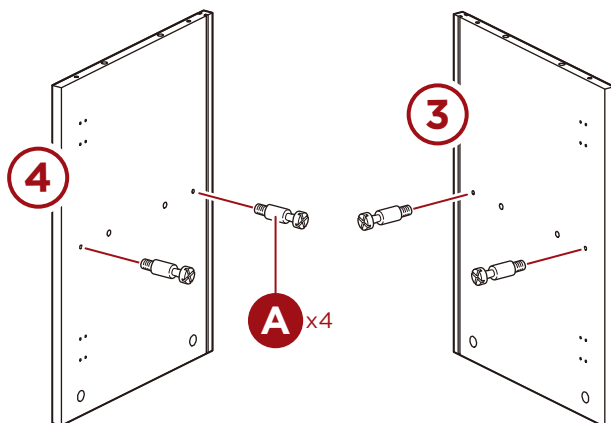


2 PCS

## PRODUCT ASSEMBLY

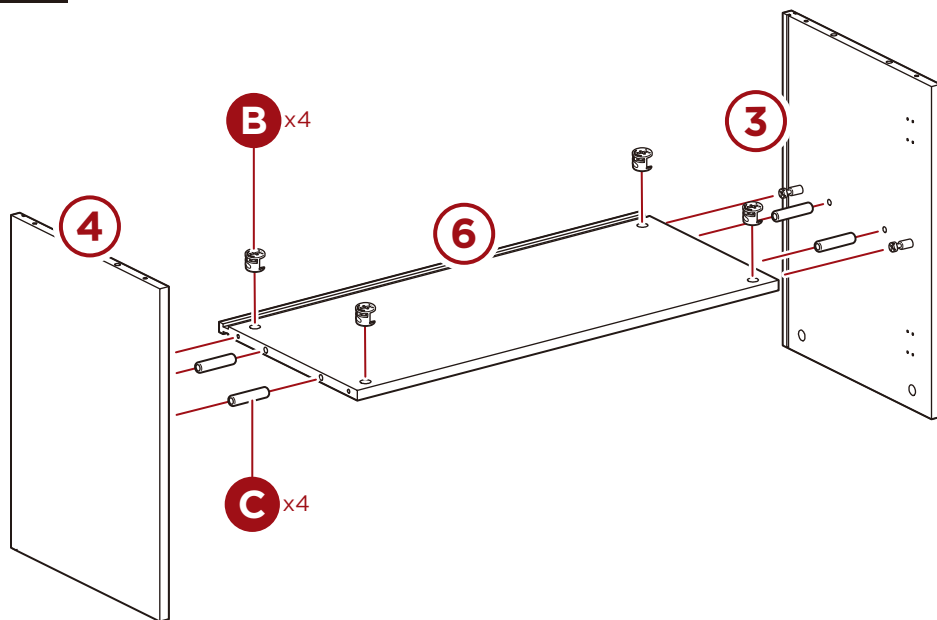
1

Insert four **part A cam bolts** into the **part 3 & 4 left & right side panels**, two bolts per panel.



2

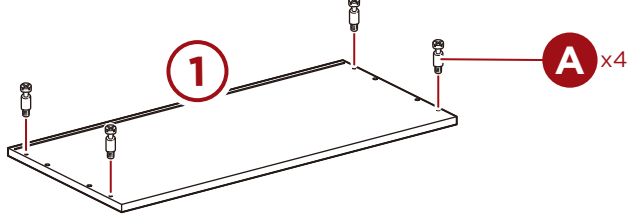
Insert four **part B cam locks** into the **part 6 cabinet shelf**. Attach the **part 3 & 4 side panels** with four **part C dowels**. Secure by turning the cam locks.



## PRODUCT ASSEMBLY

3

Insert four **part A cam bolts** into the bottom of the **part 1 cabinet top**. Place the board on a level, padded surface with the cam bolts facing upward.



4

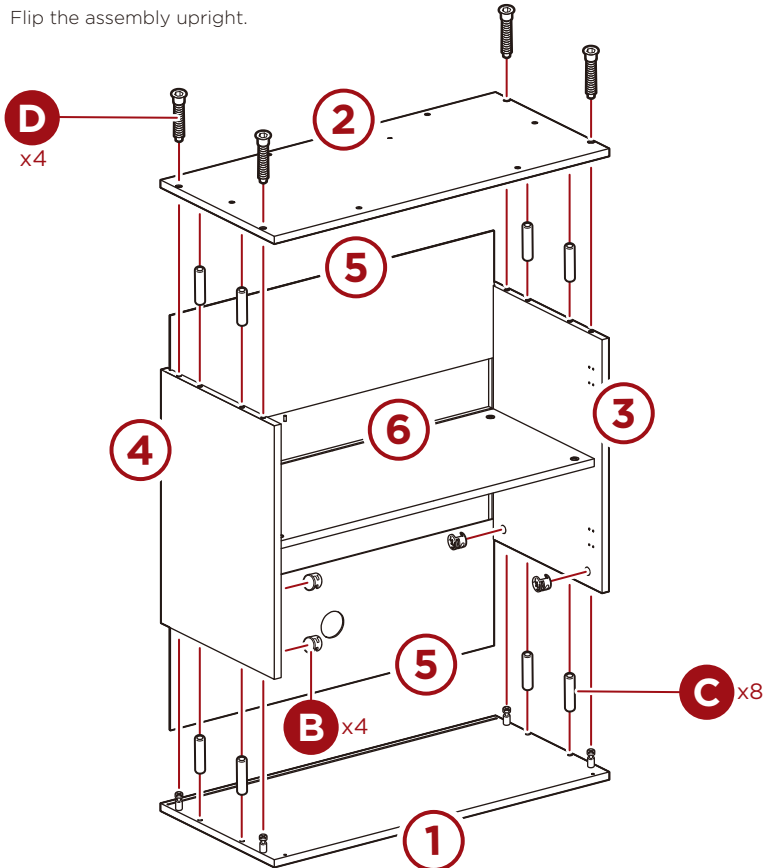
Insert four **part B cam locks** and eight **part C dowels** into the **part 3 & 4 side panels**, two locks and four dowels per side.

Slide two **part 5 back panels** into the grooves above and below the **part 6 cabinet shelf**.

Attach the **part 1 cabinet top** to the **part 3 & 4 side panels**, secure by turning the cam locks.

Attach the **part 2 cabinet bottom** to the **part 3 & 4 side panels** with four **part D screws**.

Flip the assembly upright.



## PRODUCT ASSEMBLY

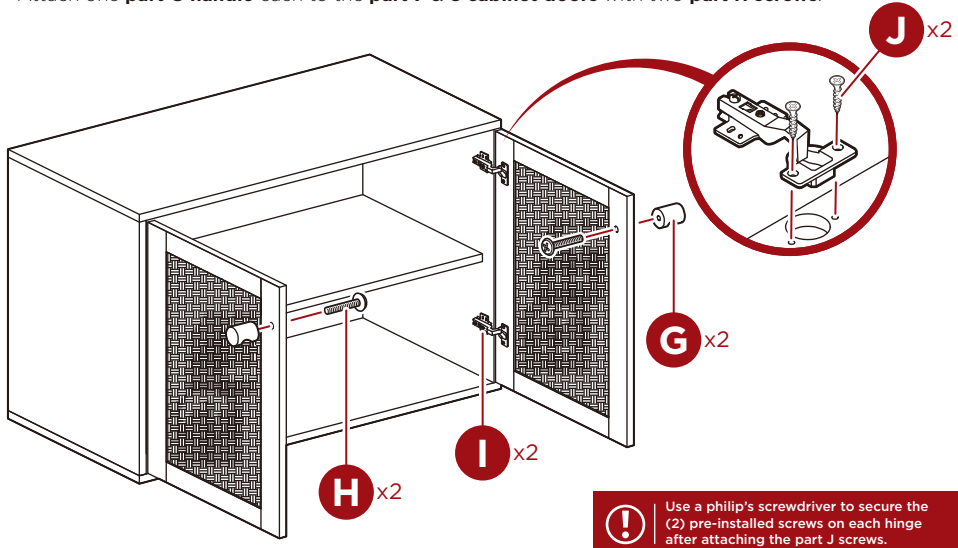
5

Attach two **part I hinges** to each door with eight **part J screws**, two screws per hinge.

Secure the **part 8 right door** by attaching the hinges to the **part 4 side panel** with eight **part J screws**, four screws per hinge. Repeat on the **part 3 side panel** to attach the **part 7 left door**.

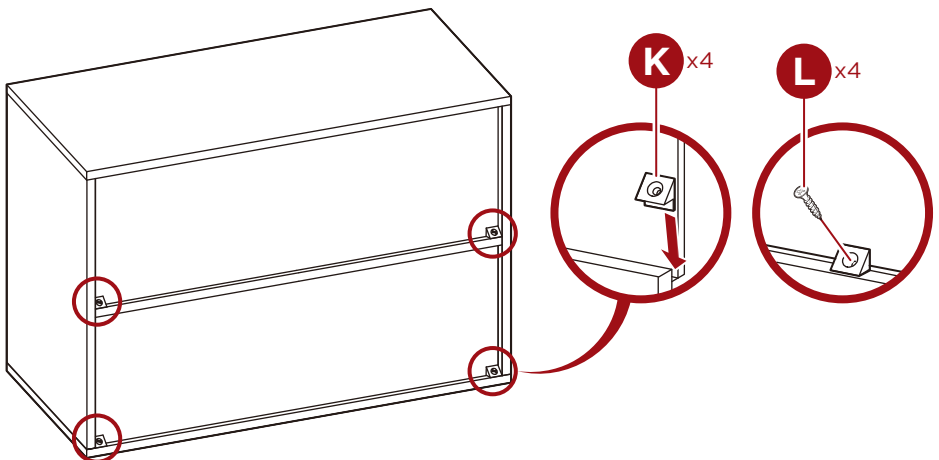
**NOTE:** Use a philip's screwdriver to secure the (2) pre-installed screws on each hinge after attaching the **part J screws**.

Attach one **part G handle** each to the **part 7 & 8 cabinet doors** with two **part H screws**.



6

Turn the cabinet assembly the back panels are facing outward. Insert four **part K screw guides** into the bottom corners of the two **part 5 back panels**, secure with four **part L screws**, one screw per guide.

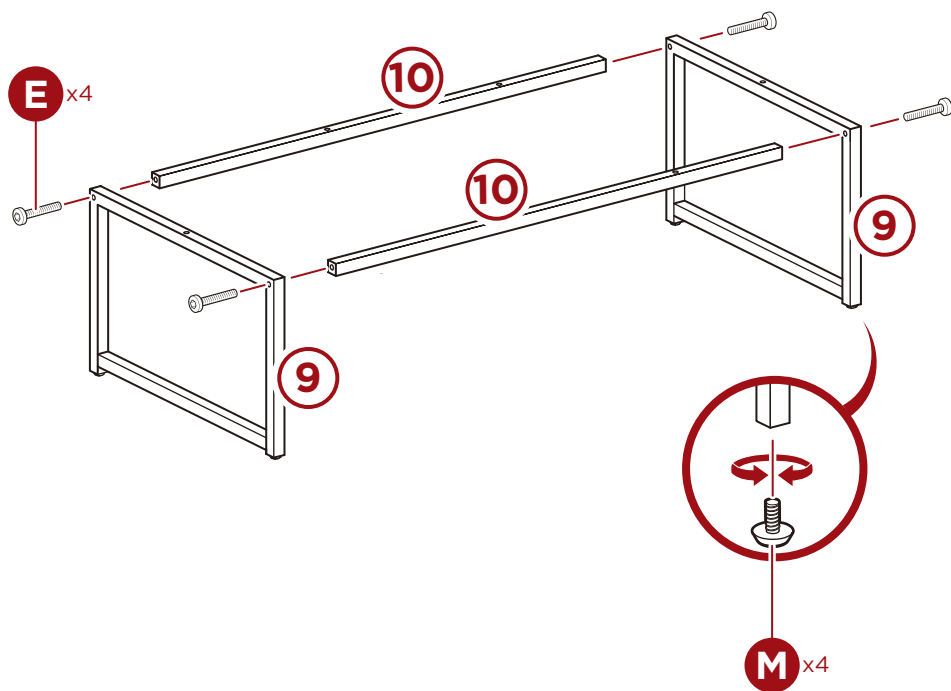


## PRODUCT ASSEMBLY

7

Attach two **part 10 base frame connectors** to one **part 9 base side frame** with two **part E bolts**, connect the remaining side frame with two more **part E bolts**.

Screw four **part M foot caps** into the side panels, adjust so all feet are level.

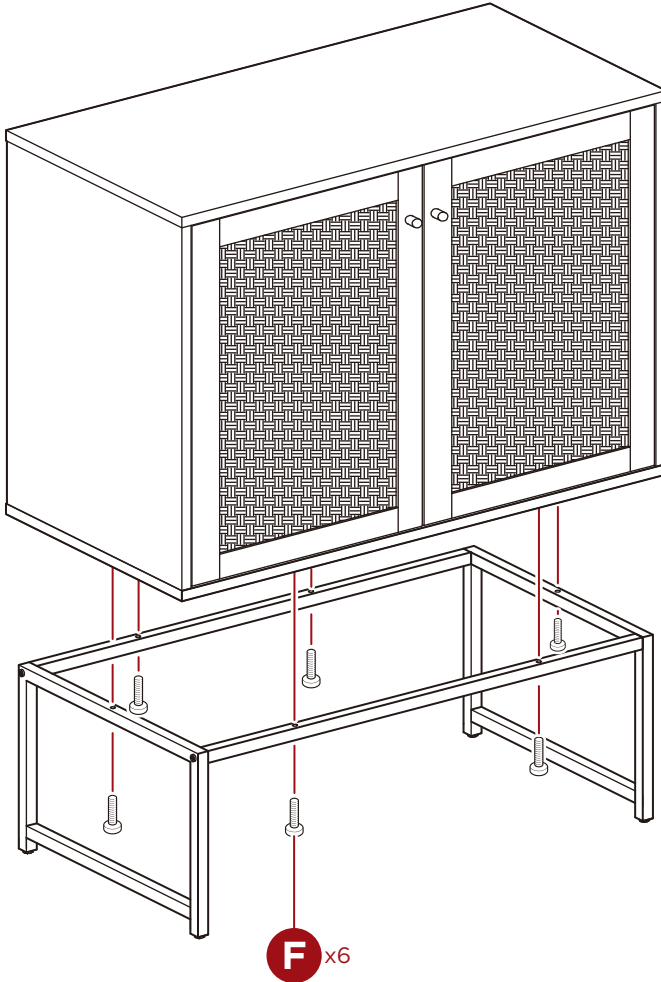




## PRODUCT ASSEMBLY

8

Attach the base assembly to the cabinet assembly with six **part F bolts**. Attach the two **part 10 frame connectors** to the **part 2 bottom** with four bolts, and the **part 9 side frames** with two bolts.





**BEST CHOICE  
PRODUCTS**

---

Check out more great products:

**[bestchoiceproducts.com](http://bestchoiceproducts.com)**

---

Earn points while you shop. Join today!

bestchoiceproducts  
**rewards**

Join | Earn | Redeem

Give your friends 15% off their first order! For each successful referral you'll receive 100 points.

[bestchoiceproducts.com](https://bestchoiceproducts.com)



# HELP CENTER



Question about your product? We're here to help. Visit us at:

[help.bestchoiceproducts.com](http://help.bestchoiceproducts.com)



Chat Support



Product Inquiry



Orders FAQ



Product Assembly



Returns & Refunds

## PRODUCT WARRANTY INFORMATION

All items can be returned for any reason within 60 days of the receipt and will receive a full refund as long as the item is returned in its original product packaging and all accessories from its original shipment are included. All returned items will receive a full refund back to the original payment method. All returned items will not be charged a re-stocking fee.

All returned items require an RA (Return Authorization) number, which can only be provided by a Best Choice Products Customer Service Representative when the return request is submitted. Items received without an RA may not be accepted or may increase your return processing time. Once an item has been received by Best Choice Products, refunds or replacements will be processed within 5 business days.

All returns must be shipped back to the Best Choice Products Return Center at the customer's expense. If the reason for return is a result of an error by Best Choice Products then Best Choice Products will provide a pre-paid shipping label via email. Boxes for return shipping will not be provided by Best Choice Products, and is the customer's responsibility to either use the original shipping boxes or purchase new boxes.

Pictures may be required for some returns to ensure an item is not damaged prior to its return. Items returned are not considered undamaged until they are received by Best Choice Products and verified as such. All damages to items are the customer's responsibility until the item has been received by and acknowledge by Best Choice Products as undamaged.

## WARNING

Manufacturer and seller expressly disclaim any and all liability for personal injury, property damage or loss, whether direct, indirect, or incidental, resulting from the incorrect attachment, improper use, inadequate maintenance, unapproved modification, or neglect of this product.