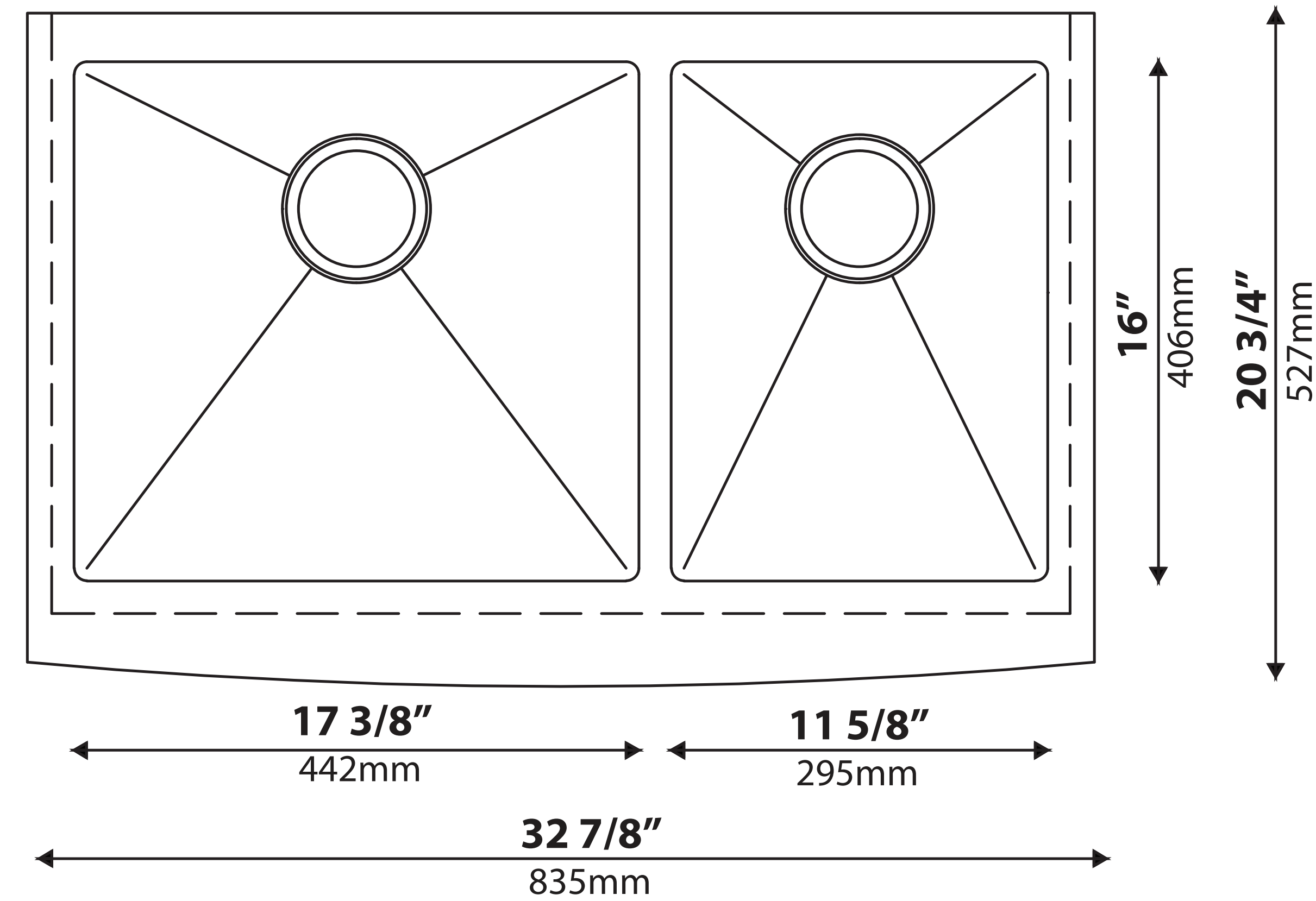


Kräus®

www.kraususa.com

Model No.
KHF203-33

Pro Hotline: 516.801.8955
Customer Service: 800.775.0703



NOTE: Cutout template is provided as a guide **ONLY** and must be checked against actual sink to verify correct fit.

- Please cut along inner perforated line for negative reveal $1/8''$
- Please tear solid line for zero / flushed reveal
- Please use outer perforated line for positive reveal $3/8''$