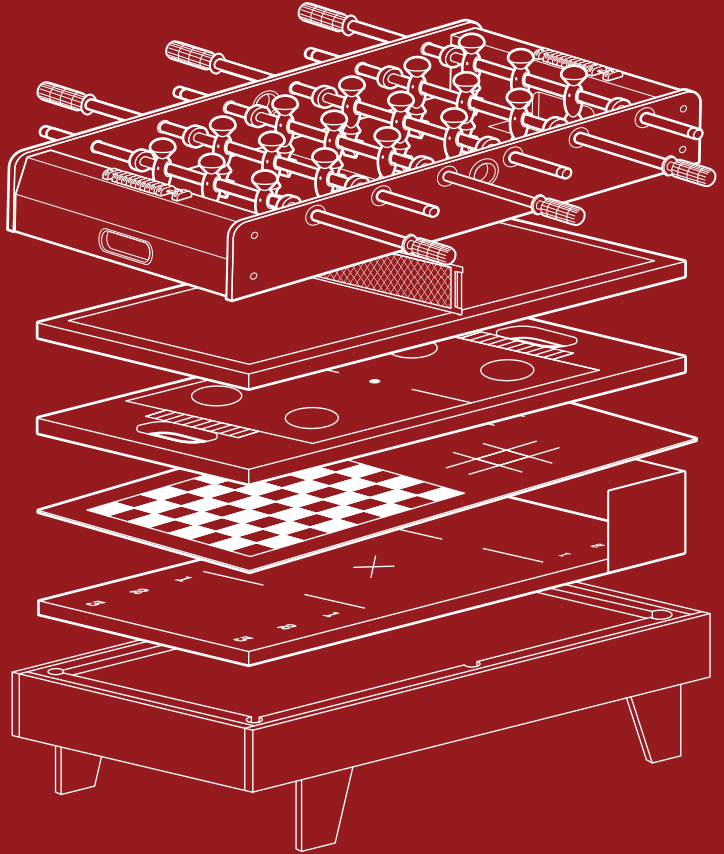




BEST CHOICE
PRODUCTS



INSTRUCTION MANUAL

11-in-1 Table Game Set



**BEST CHOICE
PRODUCTS**

As shoppers, we're always trying to find the perfect balance between quality & value. At BCP, we believe we've achieved that. Our diverse catalog of everyday essentials is tailored especially to our customers & guaranteed to hit that sweet spot of high quality & low price.

— Always. —



Fasten screws loosely during assembly. Do not firmly tighten screws until item is fully assembled.

bestchoiceproducts.com



WARNING

CHOKING HAZARD - Toy contains a small ball. Not for children under 3 years old.



WARNING

CHOKING HAZARD - Small parts. Not for children under 3 years old.



WARNING

ADULT ASSEMBLY REQUIRED

! NOTICE

Please retain these instructions for future reference.

- Please read all instructions before attempting to install or assemble this item. Assembly should be done by adults only.
- This product contains small parts for assembly. Keep small children and pets away during assembly.
- Do not stand on or use any part of this set as a step ladder.
- Firmly secure all bolts, screws, and knobs before use.
- Reconfirm that all bolts, screws, and knobs are secure every 90 days.
- Be aware that some parts are heavy and have sharp edges.
- Assemble this item on a flat, level, and stable surface for an ideal construction.
- Do not use or store this item in the proximity of open flame or flammable/combustible chemicals.
- If any parts are missing, broken, damaged, or worn, stop using this product until repairs are made and/or factory replacement parts are installed.
- Do not use this item in a way inconsistent with the manufacturer's instructions as this could void the product warranty.
- This product is intended for residential use only.

TOOLS REQUIRED



3 YEARS
OLD AND UP

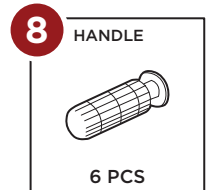
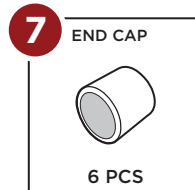
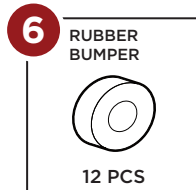
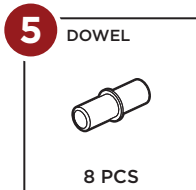
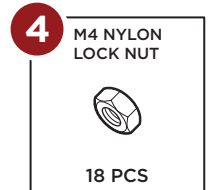
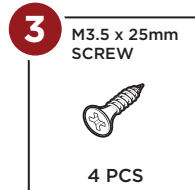
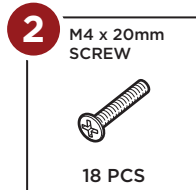
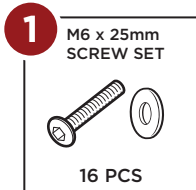


1 PERSON
ASSEMBLY

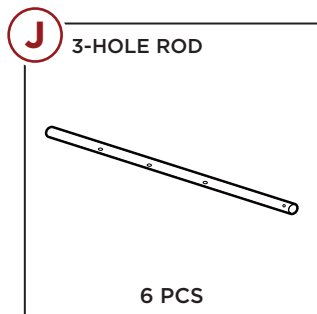
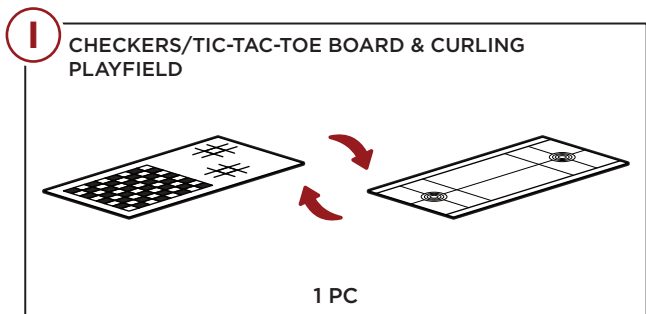
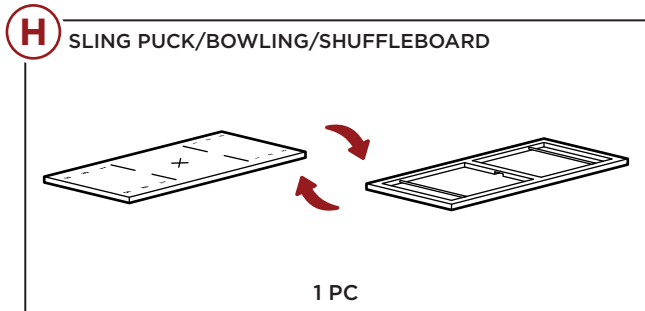
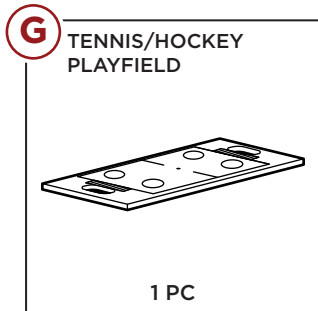
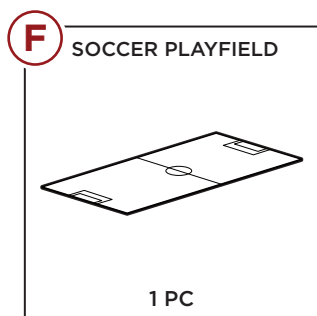
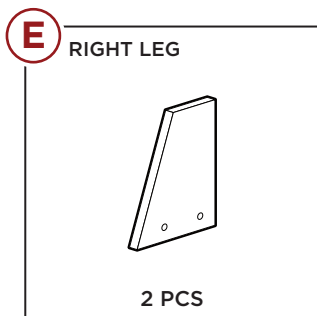
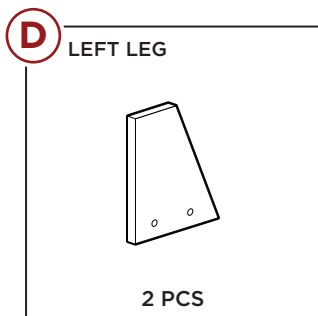
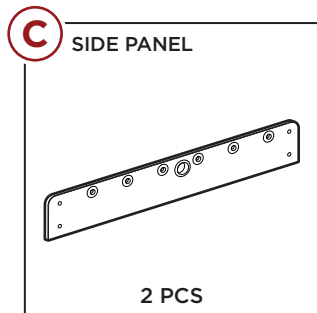
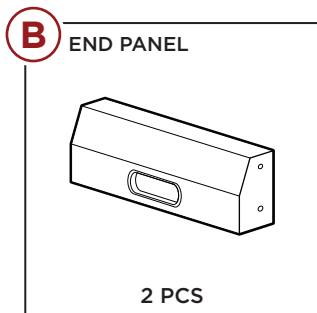
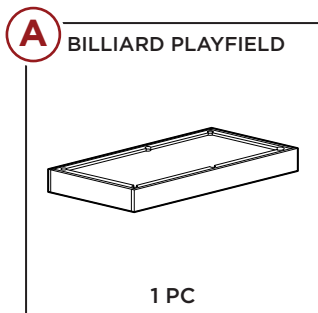


UP TO 90 MIN.
ASSEMBLY

HARDWARE

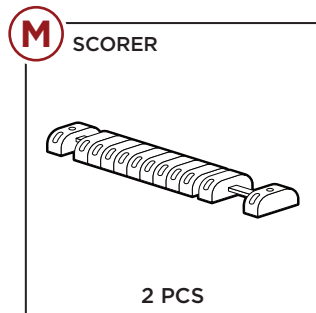
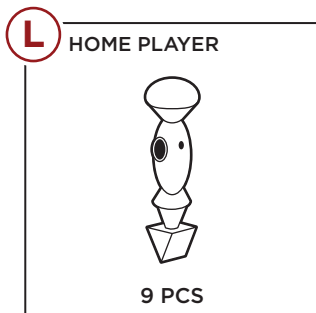
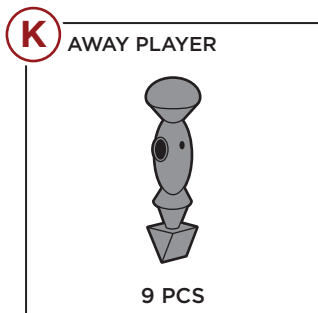


PARTS

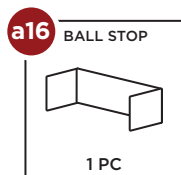
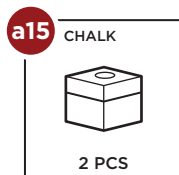
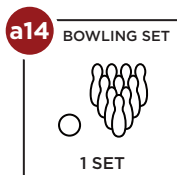
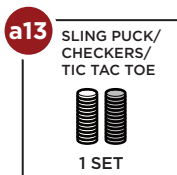
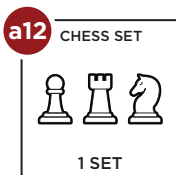
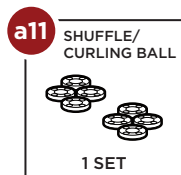
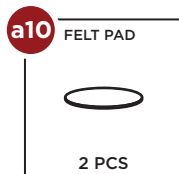
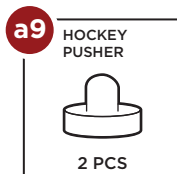
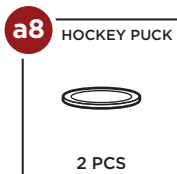
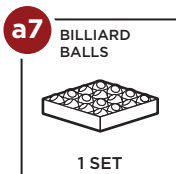
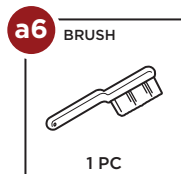
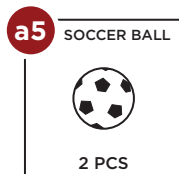
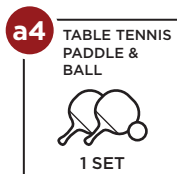
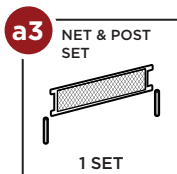
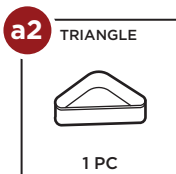
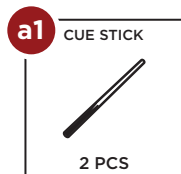


0700

PARTS



ACCESSORIES

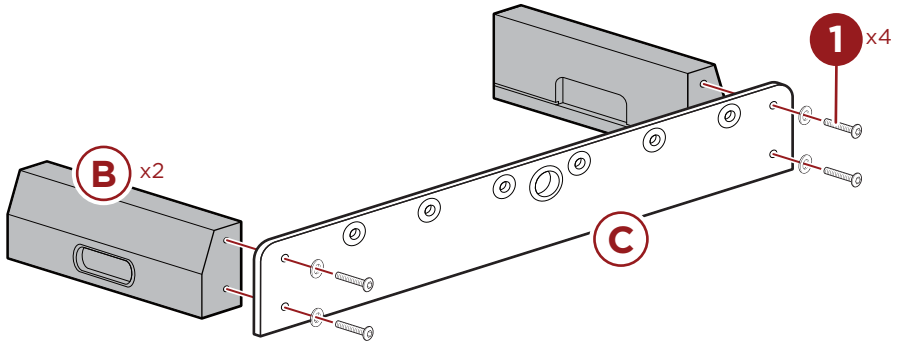


PRODUCT ASSEMBLY

1

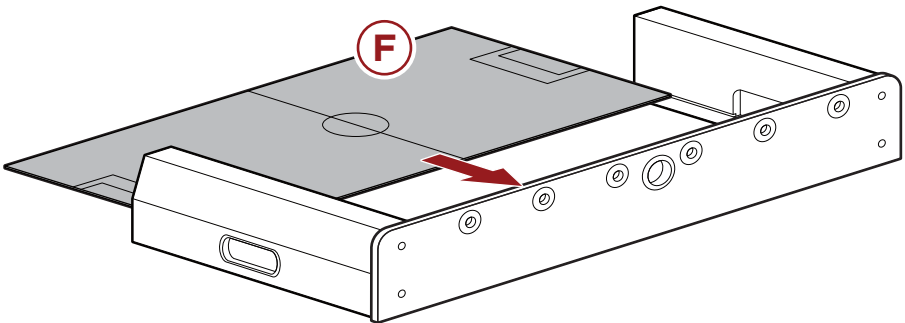
NOTE: Fasten screws loosely during initial assembly. Do not firmly tighten screws until item is completely assembled.

Attach two **part B** end panels to one **part C** side panel with four **part 1** screw & washer sets.



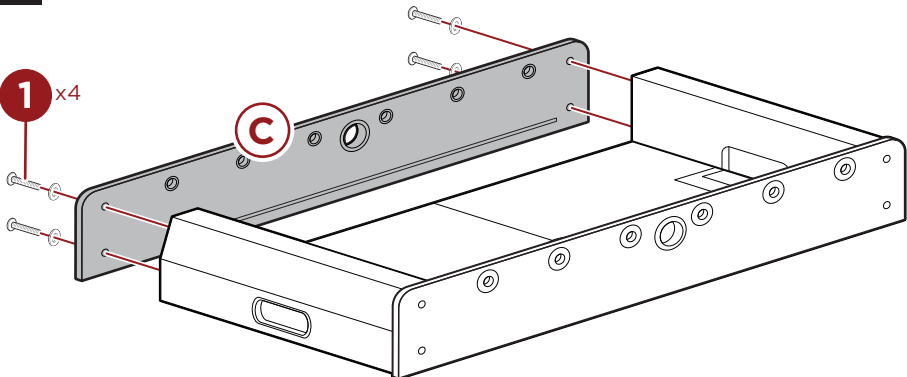
2

Slide the **part F** soccer field into the designated slots.



3

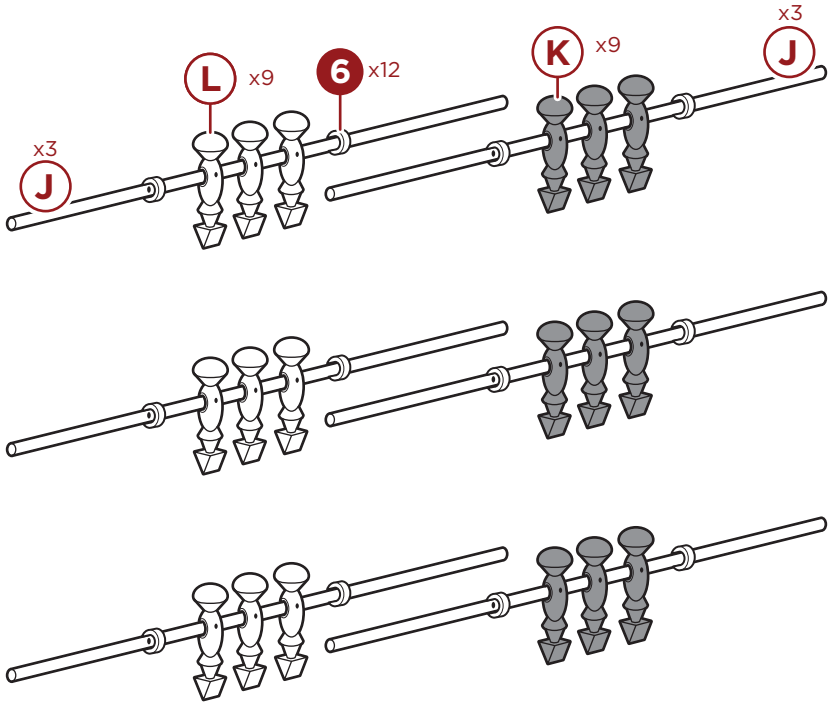
Attach one **part C** side panel to the two **part B** end panel with four **part 1** screw & washer sets.



PRODUCT ASSEMBLY

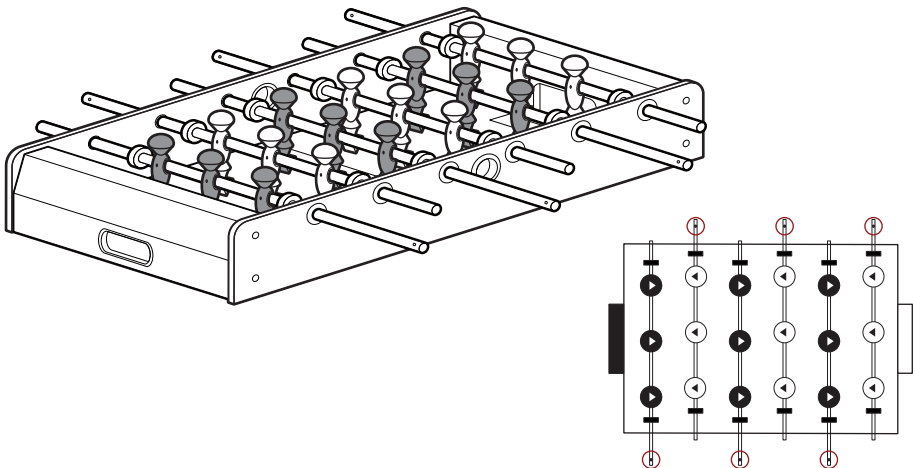
4

Locate the **part J 3-hole rods**, six total, and slide the appropriate number of **part K** and **part L** **away/home players** onto each rod. Slide two **part 6 rubber bumpers** onto each rod, one bumper on each side.



5

Slide one end of a rod into the designated hole, then slide the other end into the opposite hole. Repeat for all rods. Confirm that the rods are arranged correctly.

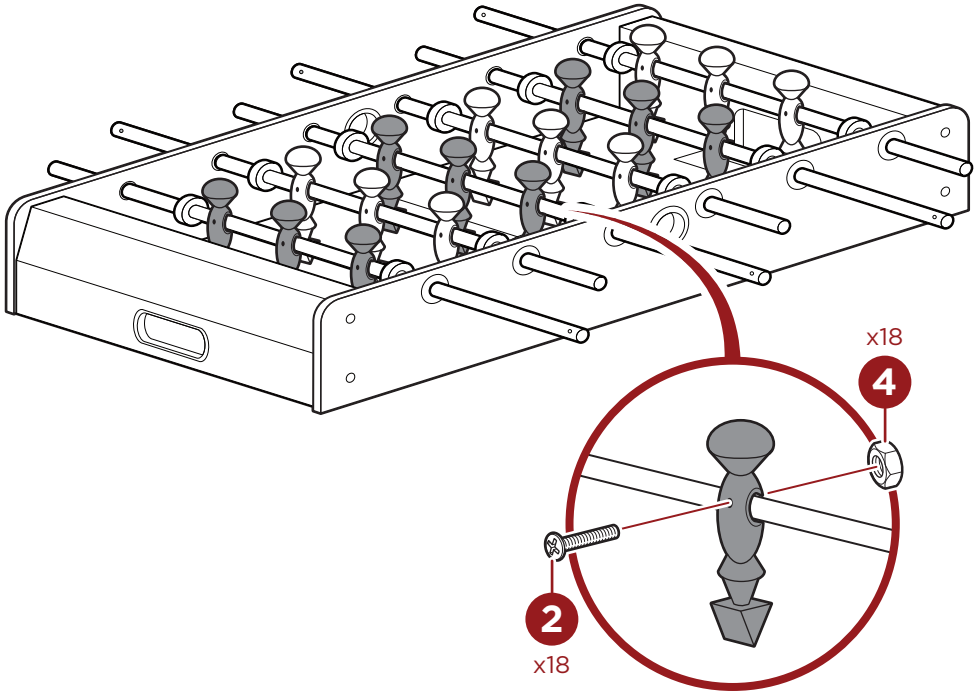


PRODUCT ASSEMBLY

6

Secure players with eighteen **part 2 screws** and eighteen **part 4 nuts**, one bolt/nut per player.

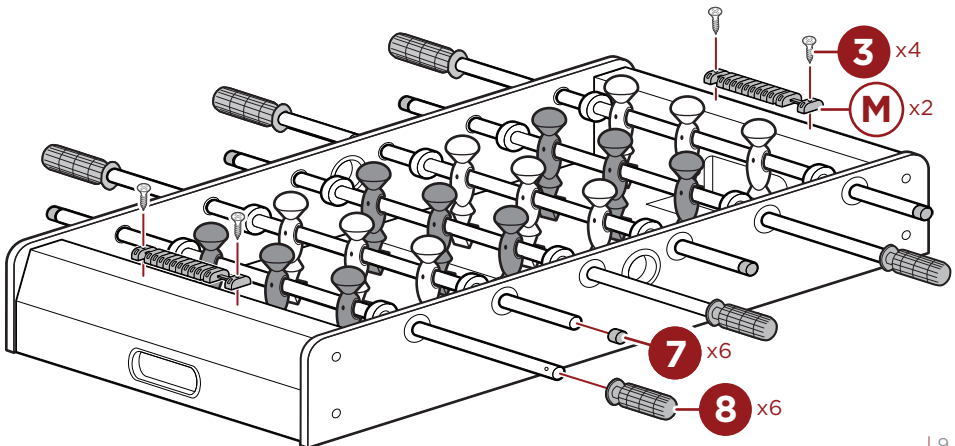
NOTE: Each player has a recessed inset for the fastening nut, consider this the “back” of the player.



7

Attach one **part M scorer** to each of the **part B end panels** with two **part 3 screws**, four screws total.

Slide six **part 8 handles** and six **part 7 end caps** onto the rods, one handle and one end cap per rod.

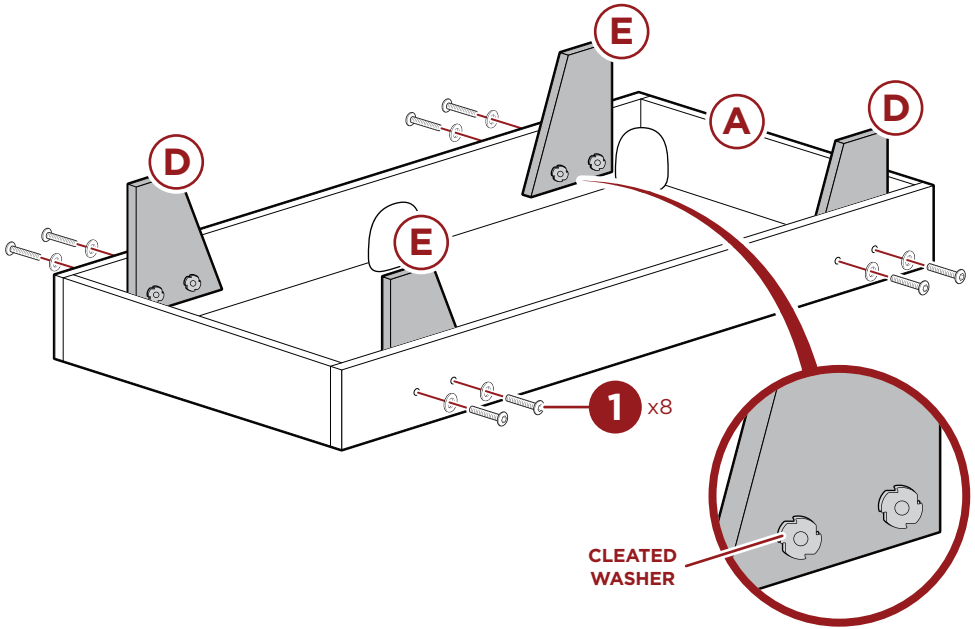


PRODUCT ASSEMBLY

8

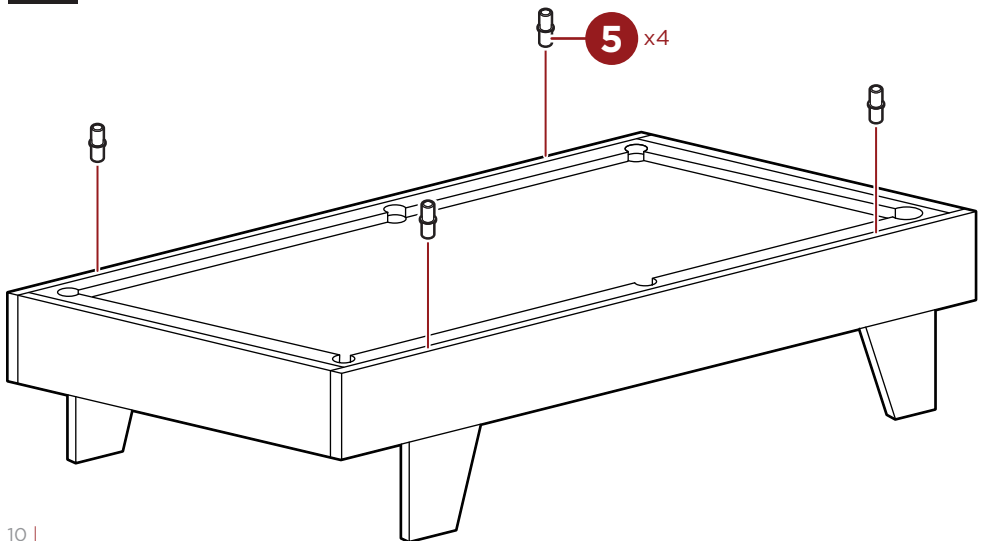
Locate and place the **part A billiard playfield** upside down, attach two **part D left legs** and two **part E right legs** with eight **part 1 screw and washer sets**.

Each leg comes with a pre-attached set of cleated washers, make sure the washers face the inside of the playfield before securing.



9

Insert four **part 5 dowels** into the **part A billiard table**, use these dowels to secure the table tennis/hockey field and the foosball table.



PLAYING GAMES

Rearrange the game table depending on the game you would like to play.

Billiards:

- Remove the other game boards from the top of the **part A billiards table**, then use the **part A7 billiard balls**, **part A1 cue sticks**, and **part A2 triangle** to play.

NOTE: Apply the **part A15 chalk** to the cue stick tips for better contact and smoother play.

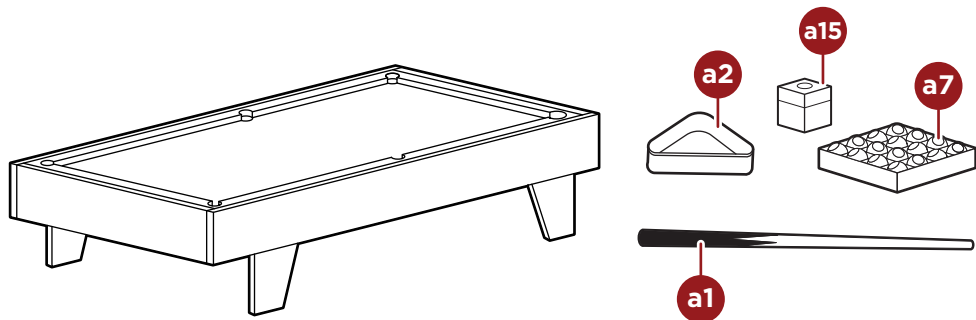
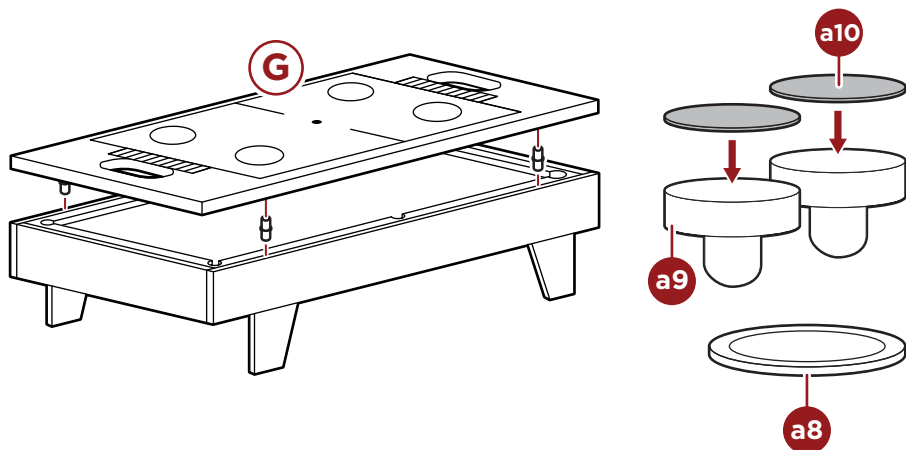


Table Hockey:

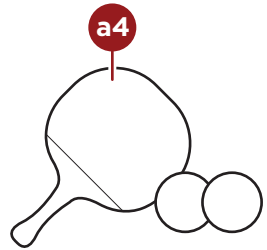
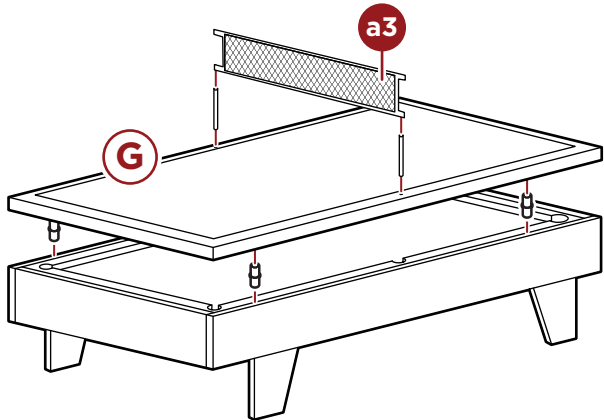
- Place the **part G hockey playfield** on the billiards table.
- Locate two **part A10 felt pads**, peel the paper backing and attach them to two **part A9 hockey pushers**.
- Use the **part A8 hockey pucks** to play.



PLAYING GAMES

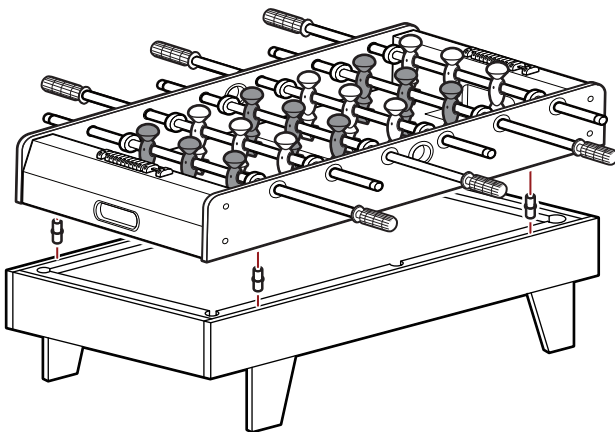
Table Tennis:

- Place the **part G table tennis playfield** on the billiards table.
- Insert the **part A3 table tennis net & post set** into the designated holes.
- Use the **part A4 table tennis set** to play.



Foosball:

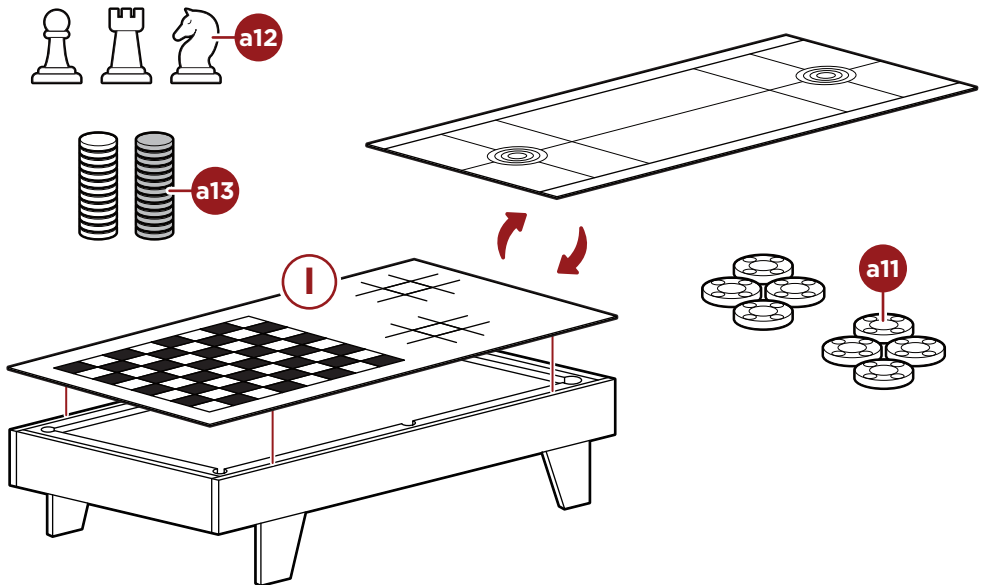
- Place the foosball table onto the frame of the billiards table, use the **part A5 soccer balls** to play.



PLAYING GAMES

Chess/Checkers/Tic-Tac-Toe/Curling:

- Place the **part I Chess/Checkerboard** on a flat level surface and use either the **part A12 chess set** or **part A11 sling pucks/checkers**.
- Use the adjacent playfield and the **part A13 sling pucks/checkers** to play tic-tac-toe.
- Flip the board and use the **part A11 shuffle ball/curling** set to play.



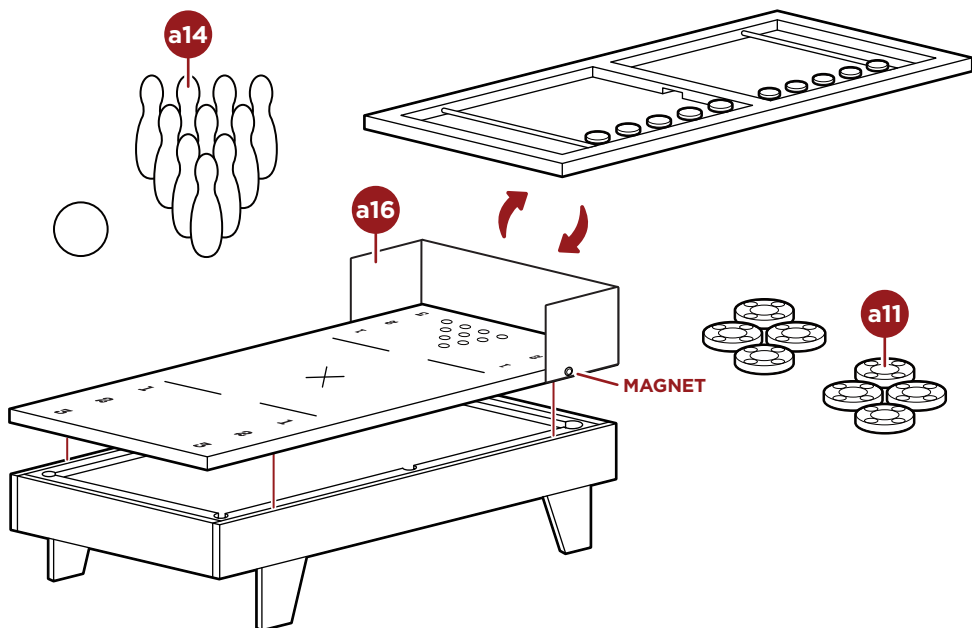
PLAYING GAMES

Sling Puck/Bowling/Shuffleboard:

- Place the **part H Sling puck board** on a flat level surface and use ten (x5 Black, x5 Red) **part A13 sling pucks/checkers** to play.
- Use the elastic bands to launch the pucks through the opening in the board and onto your opponents side. When your side of the board is empty you win.

NOTE: Take care as disks may fly off the board during play.

- Flip the board and use the **part A11 shuffle balls** to play shuffle board.
- Attach the **part A16 ball stop** and arrange the pins of the **part A14 bowling set** on the designated spaces. Use the ball **part A14 bowling set** to play.



Earn points while you shop. Join today!

bestchoiceproducts
rewards

Join | Earn | Redeem

Give your friends 15% off their first order! For each successful referral you'll receive 100 points.

bestchoiceproducts.com



HELP CENTER



Question about your product? We're here to help. Visit us at:

help.bestchoiceproducts.com



Chat Support



Product Inquiry



Orders FAQ



Product Assembly



Returns & Refunds

PRODUCT WARRANTY INFORMATION

All items can be returned for any reason within 60 days of the receipt and will receive a full refund as long as the item is returned in its original product packaging and all accessories from its original shipment are included. All returned items will receive a full refund back to the original payment method. All returned items will not be charged a re-stocking fee.

All returned items require an RA (Return Authorization) number, which can only be provided by a Best Choice Products Customer Service Representative when the return request is submitted. Items received without an RA may not be accepted or may increase your return processing time. Once an item has been received by Best Choice Products, refunds or replacements will be processed within 5 business days.

All returns must be shipped back to the Best Choice Products Return Center at the customer's expense. If the reason for return is a result of an error by Best Choice Products then Best Choice Products will provide a pre-paid shipping label via email. Boxes for return shipping will not be provided by Best Choice Products, and is the customer's responsibility to either use the original shipping boxes or purchase new boxes.

Pictures may be required for some returns to ensure an item is not damaged prior to its return. Items returned are not considered undamaged until they are received by Best Choice Products and verified as such. All damages to items are the customer's responsibility until the item has been received by and acknowledged by Best Choice Products as undamaged.

© Best Choice Products, Inc. All rights reserved. Distributed by Best Choice Products, Inc. Tustin, CA 92780

WARNING

Manufacturer and seller expressly disclaim any and all liability for personal injury, property damage or loss, whether direct, indirect, or incidental, resulting from the incorrect attachment, improper use, inadequate maintenance, unapproved modification, or neglect of this product.