



Bardon™ | K-4991-ET

High-Efficiency Urinal (HEU), washout, wall-hung, 0.125 gpf to 1.0 gpf, top spud

Features



- Washout urinal
- 3/4" (19 mm) top spud
- 0.125 - 1.0 gpf (0.47 - 3.8 lpf)
- Will replace K-4904-ET

Sustainability

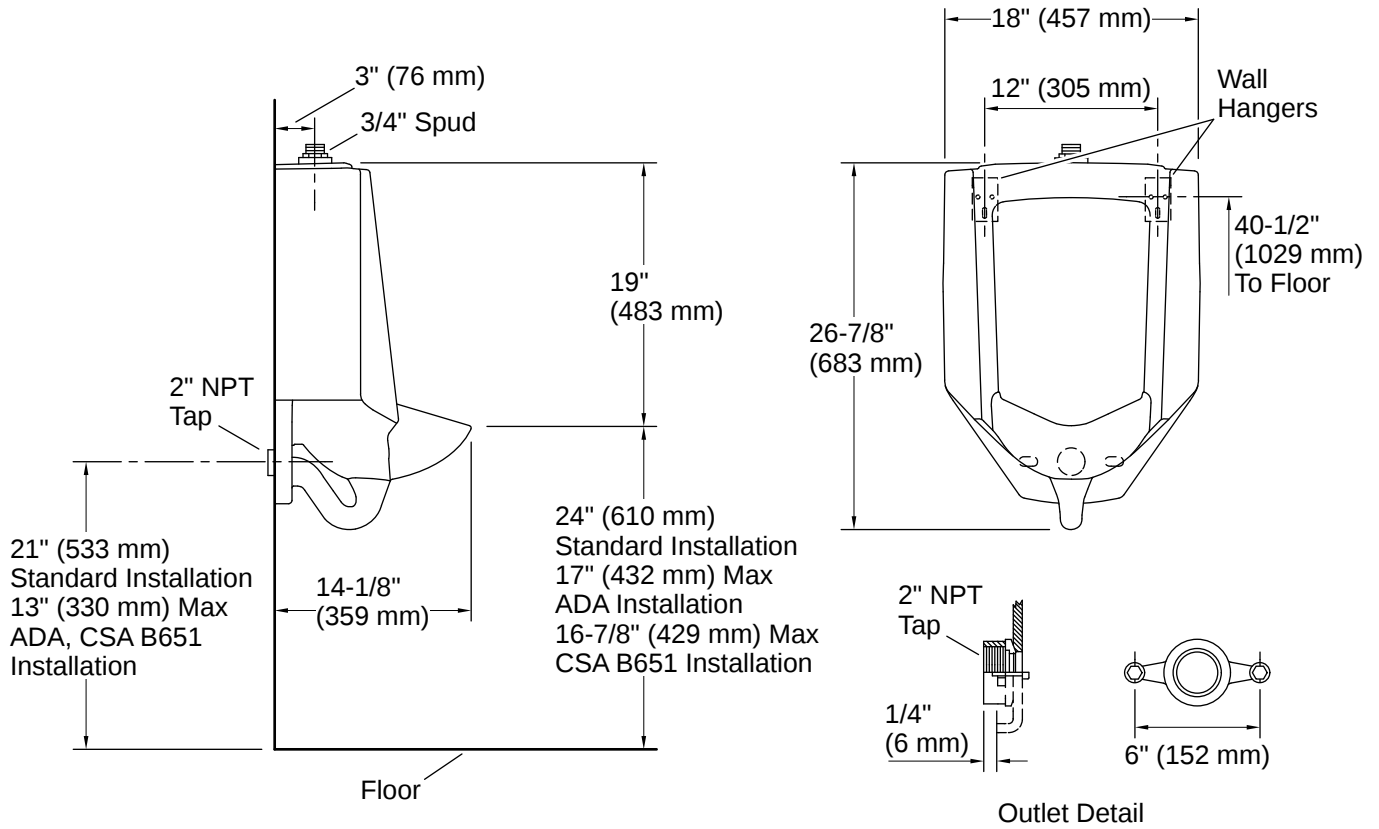


Available Colors/Finishes

Color tiles intended for reference only.

- 0 White
- 96 Biscuit
- 7 Black Black





Installation

- 14" (356 mm) extended rim

Installation Notes

Install this product according to the installation instructions.

Refer to manufacturer's instructions and local codes for flushometer requirements.

Product dimensions are nominal and may vary per ASME A112.19.2 tolerances.

This product should be used with a WaterSense labeled counterpart with the same rated flush volume to ensure the complete system meets the requirements of this specification for water efficiency and performance.

ADA, CSA B651 compliant when installed to the specific requirements of these regulations.

