



Valton®

Two-piece round-front dual-flush toilet
402317

Features

- Two-piece design
- Round-front bowl offers an ideal solution for smaller bathrooms and powder rooms
- Top-mount dual-flush actuator offers a choice of 1.0 or 1.28 gpf (3.8 or 4.8 lpf)
- 2" (51 mm) fully glazed trapway
- Combination consists of toilet bowl and tank
- Dual-flush technology allows you to choose between a full or partial flush
- Pro Force® Plus flushing technology delivers greater flushing power than previous Pro Force® models

Installation

- Standard 12" (305 mm) rough-in
- Three-bolt quick-connect installation
- Seat and supply line sold separately

Recommended Products/Accessories

- K-20111 Brevia™ Quiet-Close™ round-front toilet seat
- K-5589 Purefresh® Deodorizing round-front toilet seat
- K-5420 Low-Profile Bolt Caps
- K-23726 Drain treatment
- K-186 Dual Flush Actuator

Included Components

- 403377 Round-front toilet bowl
- 404553 Toilet tank



Codes/Standards

- ASME A112.19.2/CSA B45.1
- ASME A112.19.14
- DOE - Energy Policy Act 1992
- EPA WaterSense®
- California Energy Commission (CEC)

STERLING® Toilet Limited Warranty

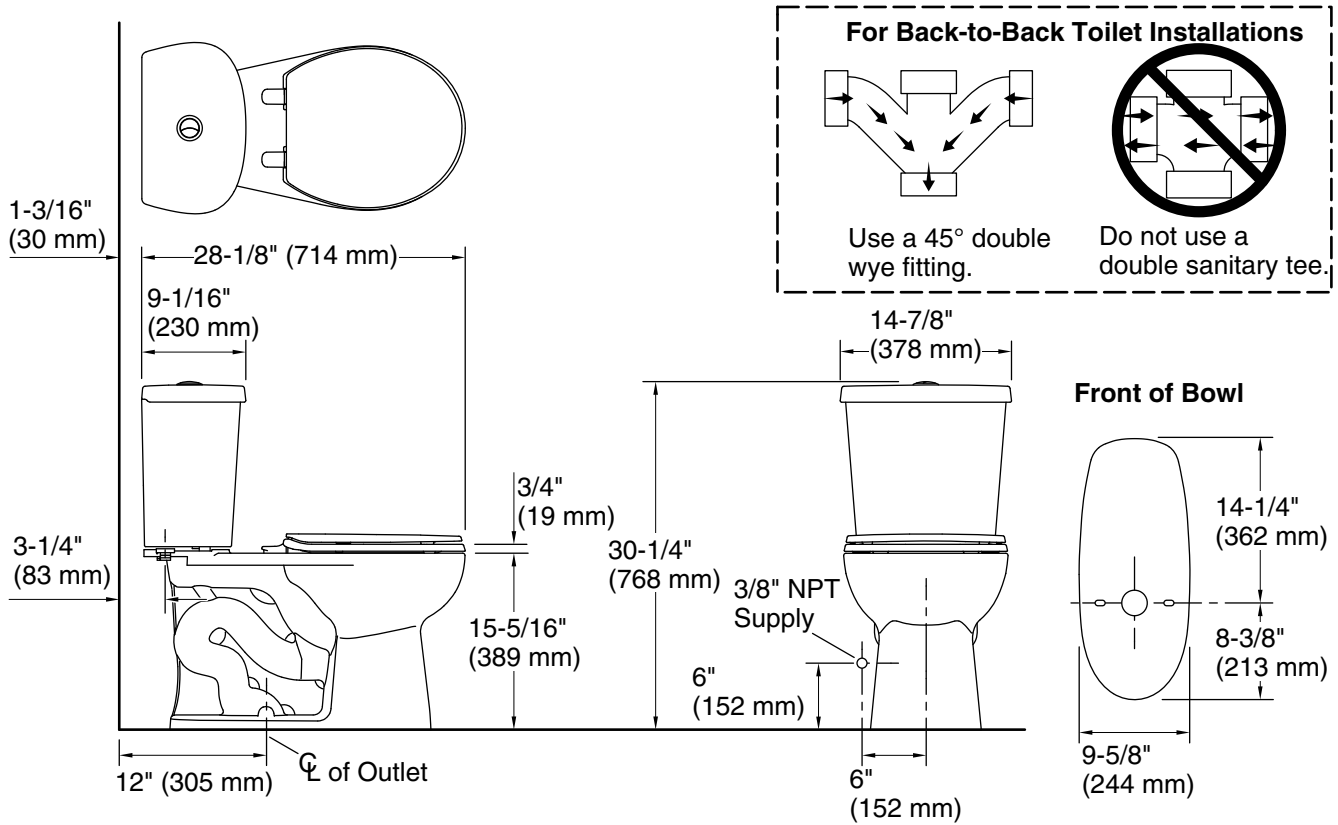
See website for detailed warranty information.

1-800-STERLING (1-800-783-7546)

Kohler Co. reserves the right to make revisions without notice to product specifications.

For the most current Specification Sheet, go to www.sterlingplumbing.com.

10-16-2025 21:25 - US/CA



Technical Information

All product dimensions are nominal.

- Toilet type: Floor-mount
- Waste Outlet: Floor
- Bowl shape: Round-front
- Flush type: ProForce Plus
- Trap passageway: 2" (51 mm)
- Rim to water surface: 5" (127 mm)
- Rough-in: 12" (305 mm)

Notes

- Install this product according to the installation instructions.
- For back-to-back toilet installations: Use only a 45° double wye fitting.