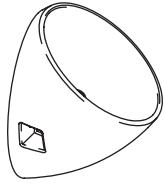


# Installation Guide

## Waterless Urinal

K-4917



**M** product numbers are for Mexico (i.e. K-12345**M**)  
Los números de productos seguidos de  
**M** corresponden a México (Ej.  
K-12345**M**)  
Français, page "Français-1"  
Español, página "Español-1"

THE BOLD LOOK  
OF **KOHLER**®

1048744-2-D

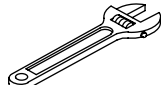
## Tools and Materials



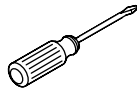
Safety Glasses



Tape Measure



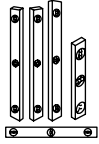
Adjustable Wrench



Blade Screwdriver



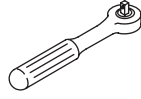
Pencil



Levels



Thread Sealant



1/4" Ratchet

### Plus:

- Hole Cutting Equipment

## Before You Begin

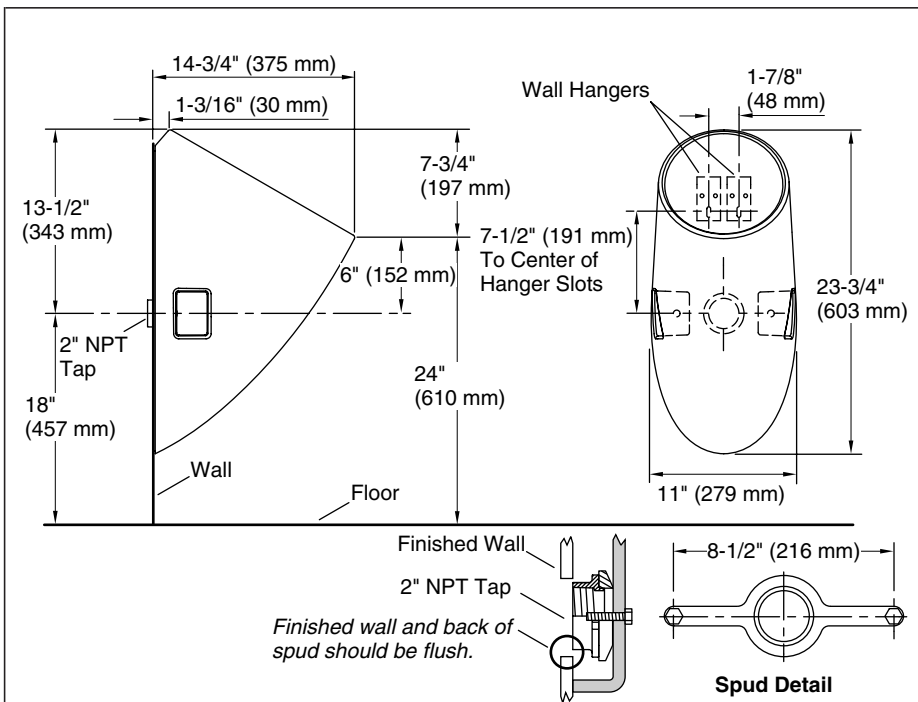


**CAUTION: Risk of property damage.** When connecting waterless urinals to the building drain waste vent system, do not use copper pipe or copper tube connectors. The use of a copper connector will result in corrosion of the connector and potential building structure damage caused by leakage.



**CAUTION: Risk of personal injury.** Handle this product with care. Vitreous china can break or chip if the product is handled carelessly.

- Observe all local plumbing and building codes.
- Carefully inspect the new urinal for damage.
- Roughing-in remains the same when using the optional 3" outlet spud.
- Fixture dimensions are nominal and conform to tolerances by ASME Standard A112.19.2.
- Site preparation may require additional tools and hardware.

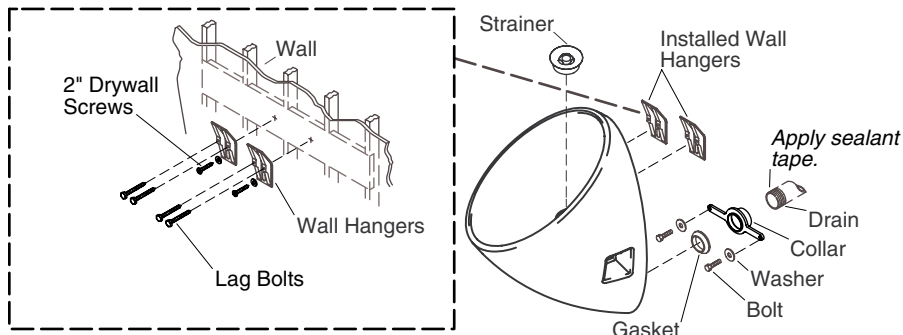


## Roughing-In

- Roughing-in dimensions are identical if using an optional 3" outlet spud.
- The urinal complies with ADA requirements when the rim is mounted no higher than 17" (432 mm) from the finished floor.

## 1. Prepare the Site

- Install or relocate the waste pipe as necessary to conform to the roughing-in dimensions.
- Install adequate support framing for the wall hangers as needed.



## 2. Install the Urinal



**CAUTION: Risk of personal injury.** Handle with care. Vitreous china can break or chip if the product is handled carelessly.

- Reference the installation template to properly position each wall hanger at its proper vertical dimension above the outlet hole. To allow for vertical adjustment, place the initial screws through the center of the slots on the hangers.
- Apply thread sealant tape to the pipe threads on the drain and install the collar to the drain.
- With the beveled surface of the gasket facing away from the collar, place the gasket onto the collar.
- Carefully position the urinal on the wall hangers.
- Verify the urinal is properly positioned, then remove the urinal from the wall.

**NOTE:** If adjustment is necessary, make vertical adjustments along the slots on each wall hanger until the urinal can be tightened to the collar.

- Install the permanent screws or lag bolts into the holes on the wall hangers, as shown on the installation template.
- Secure the urinal to the collar using the washers and bolts provided.

### 3. Complete the Installation

- Pour 1/2 gallon (1.89 L) of water into the trapway.
- Check for leaks. Repair as needed.
- Pour 3 ounces (89 ml) of sealing liquid (provided) into the trapway. The sealing liquid will float on top of the water in the trapway.
- Position the strainer in the drain hole.
- Set the urinal ball in the urinal.