

How to Use Hand Tools to Apply 3/8" Grommets

Grommets! You can use them on so many projects – curtains, bags or to lace up clothing. Who can resist? But how are they applied and what do you need?

The measurement indicates the interior diameter. A 3/8" grommet consists of two parts – the front and the washer, which is the back. These instructions will guide you through the application using the 1T tool kit. You can also use the 1P pliers to attach 3/8" grommets.

You will need the following:

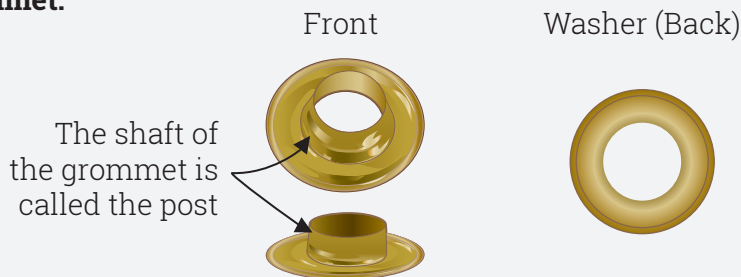
- Your fabric, hemmed
- 3/8" grommets, #1
- Tool for grommets, #1T
- Straight pins – any style
- Marking pencil
- Hammer
- Sharp scissors

Optional:

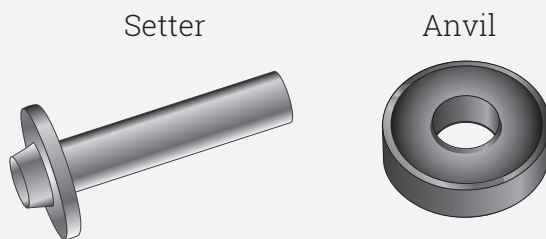
- Fray Check®

What are parts called?

Grommet:



Tools:



ALTERNATE NAMES

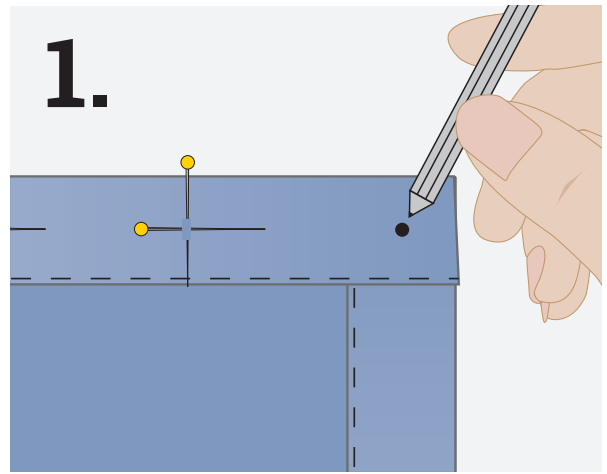
Did you know that grommets are often called eyelets? Smaller sizes are traditionally referred to as eyelets, while larger sizes are usually called grommets, but don't let the name fool you. Packaging names seem to be interchangeable! Choose the size you want for appearance and use, no matter what they are called.



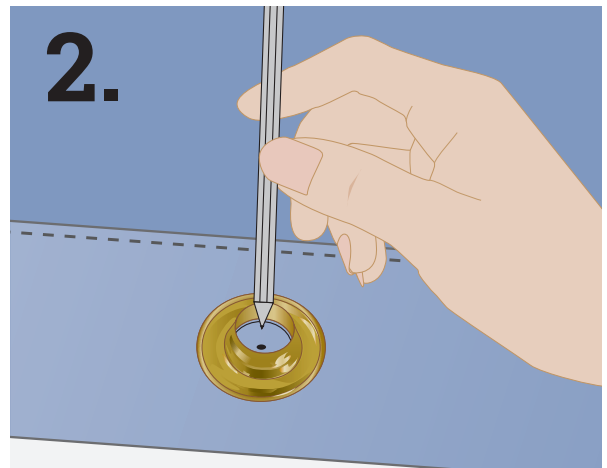
TECHNIQUE TUTORIAL

How to Use Hand Tools to Apply 3/8" Grommets:

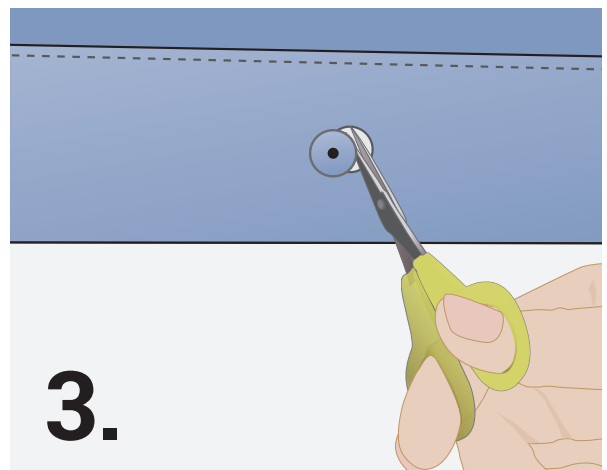
1. You have measured your project and placed a pin at each eyelet location. (See the tutorial – “How to Measure for Grommet and Eyelet Placement.”) Now, place a mark at each pin intersection.



2. Trace around inside opening of grommet post.



3. Use small scissors to cut out marked circle.

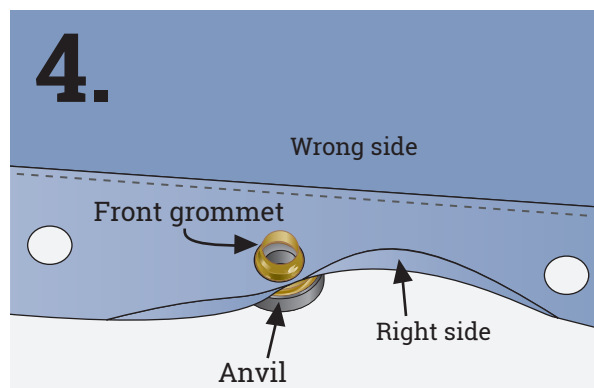


TIP: For fabric that ravel easily, apply Fray Check® to cut edges of marked circle.

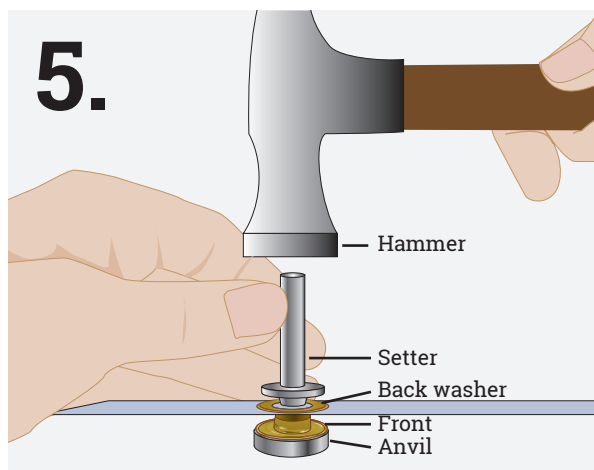


How to Use Hand Tools to Apply 3/8" Grommets:

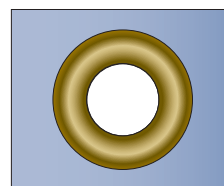
4. Insert grommet from right side to wrong side. Slide anvil under inserted grommet. The top, rounded side of front grommet should sit in center of concave anvil.



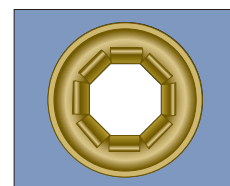
5. Work with wrong side up, so front grommet sits on anvil with post of grommet extending through hole. Place the setter tool into post and hit firmly. Edges of post will curl under against fabric to finish grommet.



TIP: Always test the grommet on a scrap of fabric that matches the thickness of your project. If grommet appears loose, you need to add thickness. To do this, add an additional layer of fabric, or interfacing between fabric layers.



RIGHT SIDE OF FINISHED GROMMET



WRONG SIDE OF FINISHED GROMMET

