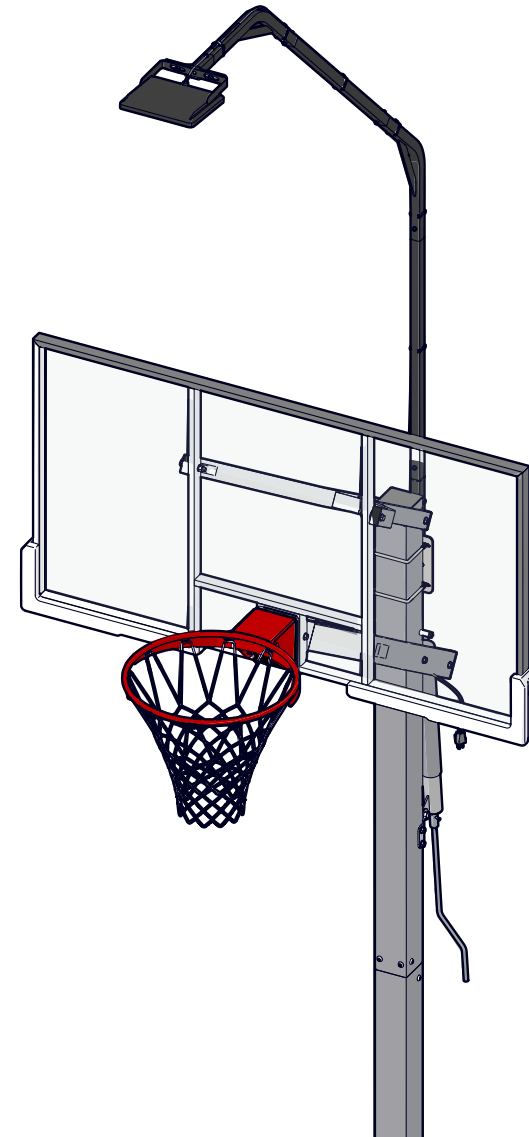




LED
HOOPLIGHT

MODEL NO.
B7020W



Please Do Not Return This Product to the Store!

Contact Escalade® Sports customer service department at:
Phone: 1-888-USA-GOAL Toll-Free!
Fax: 1-866-873-3536 Toll-Free!
E-mail: customerservice@escaladesports.com



Escalade® Sports products may be manufactured and/or licensed under the following patents.
6120397, 5816957, 5769744, 5119741, 4911085, 4717157, D460140, D420563, 8414431
Additional patents may be pending. One or more of the listed patents and/or pending patents may cover specific product.

2L-7961-00

2021 Escalade® Sports

PRE-ASSEMBLY TIPS

1. **Read this manual carefully before starting assembly.** Read each step completely before beginning each step.
2. **Some smaller parts may be shipped inside larger parts. Check inside all parts and cartons before assembling or ordering parts.**
3. **To make assembly easier, use the Hardware Identifier on page 5 to identify and sort all fasteners. Check all cartons for kits. All hardware may not be located in one kit.**
4. **Do not tighten hardware until instructed to do so. If hardware is tightened too soon, mounting holes may not align and parts may not easily fit together. Leave locknuts slightly loose until you are instructed to tighten them.**
5. **Save these instructions and your proof of purchase (receipt) in the event that the manufacturer has to be contacted for replacement parts.**

Tools required for assembly:

- 1- 6 Foot Step Ladder
- 1- Allen Key 4mm (Included)
- 1- Allen Key 6mm (Included)
- 2- Adjustable Wrenches



Please Do Not Return This Product To The Store!

Contact Escalade® Sports customer service department at:

Phone: 1-800-USA-GOAL Toll – Free !
 Fax: 1-866-873-3536 Toll – Free !
 E-mail: basketball@escaladesports.com

Please visit our Website at:
www.escaladesports.com

ON-LINE TROUBLE SHOOTING TECHNICAL ASSISTANCE
 ON-LINE PARTS REQUESTS FREQUENTLY ASKED QUESTIONS
 ADDITIONAL ESCALADE®SPORTS PRODUCT INFORMATION



Escalade Sports

Physical Location:
 817 Maxwell Ave.
 Evansville, IN 47711

Mailing Address: (Correspondence Only)
 PO Box 889
 Evansville, IN 47706



SAFETY INSTRUCTIONS



FAILURE TO FOLLOW THESE SAFETY INSTRUCTIONS MAY RESULT IN SERIOUS INJURY, PROPERTY DAMAGE AND WILL VOID WARRANTY.

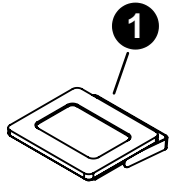
Owner must ensure that all players know and follow these rules for safe operation of the system.

To ensure safety, do not attempt to assemble this system without following the instructions carefully. Check entire box and inside packing material for parts and/or additional instruction material. Before beginning assembly, read the instructions and identify parts using the hardware identifier and parts list in this document. Proper and complete assembly, use and supervision is essential for proper operation and to reduce the risk of accident or injury. A high probability of serious injury exists if this system is not installed, maintained, and operated properly.

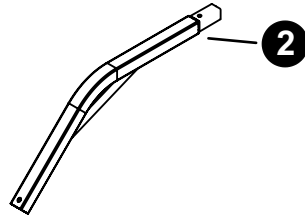
- If using a ladder during assembly, use extreme caution.
- 2 capable adults are recommended for this operation.
- Assemble the pole sections properly (if applicable). Failure to do so could cause pole sections to separate during play or transport.

*Most injuries are caused by misuse and/or not following instructions.
Use caution when using this system.*

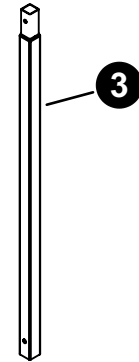
PARTS LIST (NOT ACTUAL SIZE)



LED Light Assembly
6Q-6011-00
QTY. 1



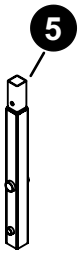
Corner Welded Assembly
1A-7997-10
QTY. 2



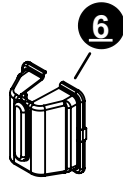
Straight Tube Section
8S-8619-10
QTY. 2



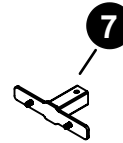
Mounting Plate Assembly
1A-8000-10
QTY. 1



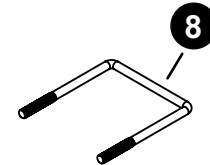
Pivot Tube Assembly
1A-7996-10
QTY. 1



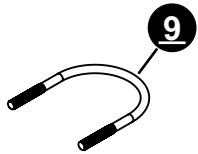
Mounting Plate Cover
3M-9142-00
QTY. 1
(pre-installed on Part #4)



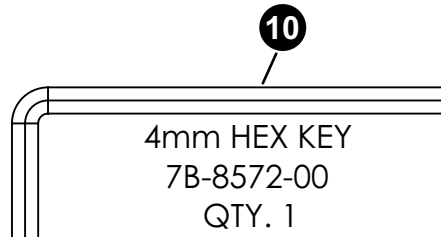
Light Mounting Assembly
1A-7998-10
QTY. 1



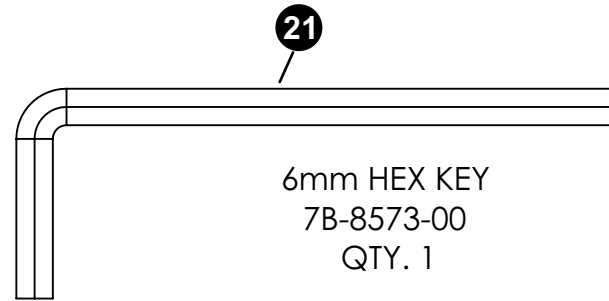
U-bolt for 4x4 Pole
7B-8561-00
QTY. 2



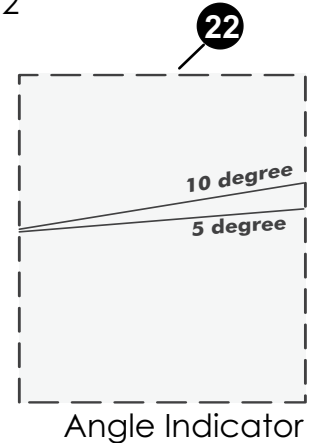
U-bolt for 3.5 Round Pole
7B-8571-00
QTY. 2



4mm HEX KEY
7B-8572-00
QTY. 1

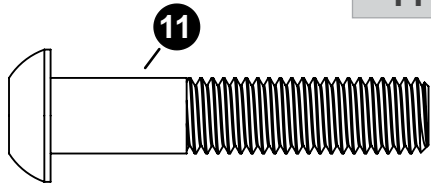


6mm HEX KEY
7B-8573-00
QTY. 1

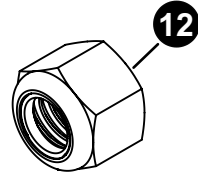


Angle Indicator

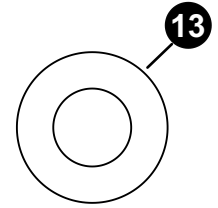
HARDWARE IDENTIFIER (ACTUAL SIZE)



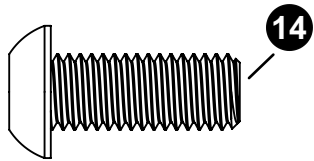
M10X50 Button Head Screw
1B-7228-00
QTY. 1



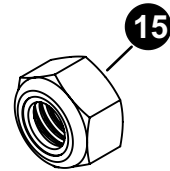
3/8-16 Lock Nut
2B-6238-01
QTY. 4



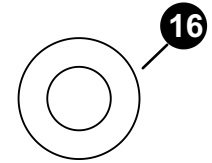
3/8" Flat Washer
2B-6289-00
QTY. 5



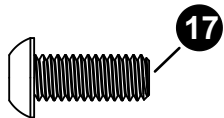
M10X25 Button Head Screw
1B-7227-00
QTY. 1



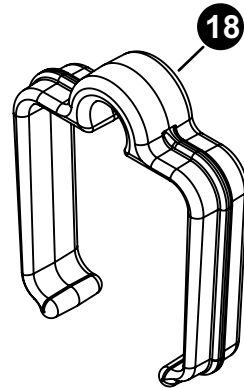
M8-1.25 Lock Nut
2B-6808-00
QTY. 2



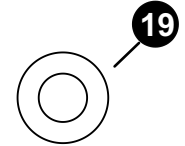
M8 Flat Washer
2B-6797-00
QTY. 2



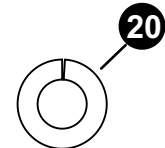
M6X15 Button Head Screw
1B-7229-00
QTY. 10



Cord Clip
3M-9141-00
QTY. 7



M6 Flat Washer 12mm OD
2B-6827-00
QTY. 10



M6 Split Lock Washer
2B-6844-00
QTY. 10

Before starting the assembly take the Mounting Plate Cover #6 off the mounting Plate #4 by gently pulling out on the tabs until the cover is released. See **Figure 1** & **Back View** detail.

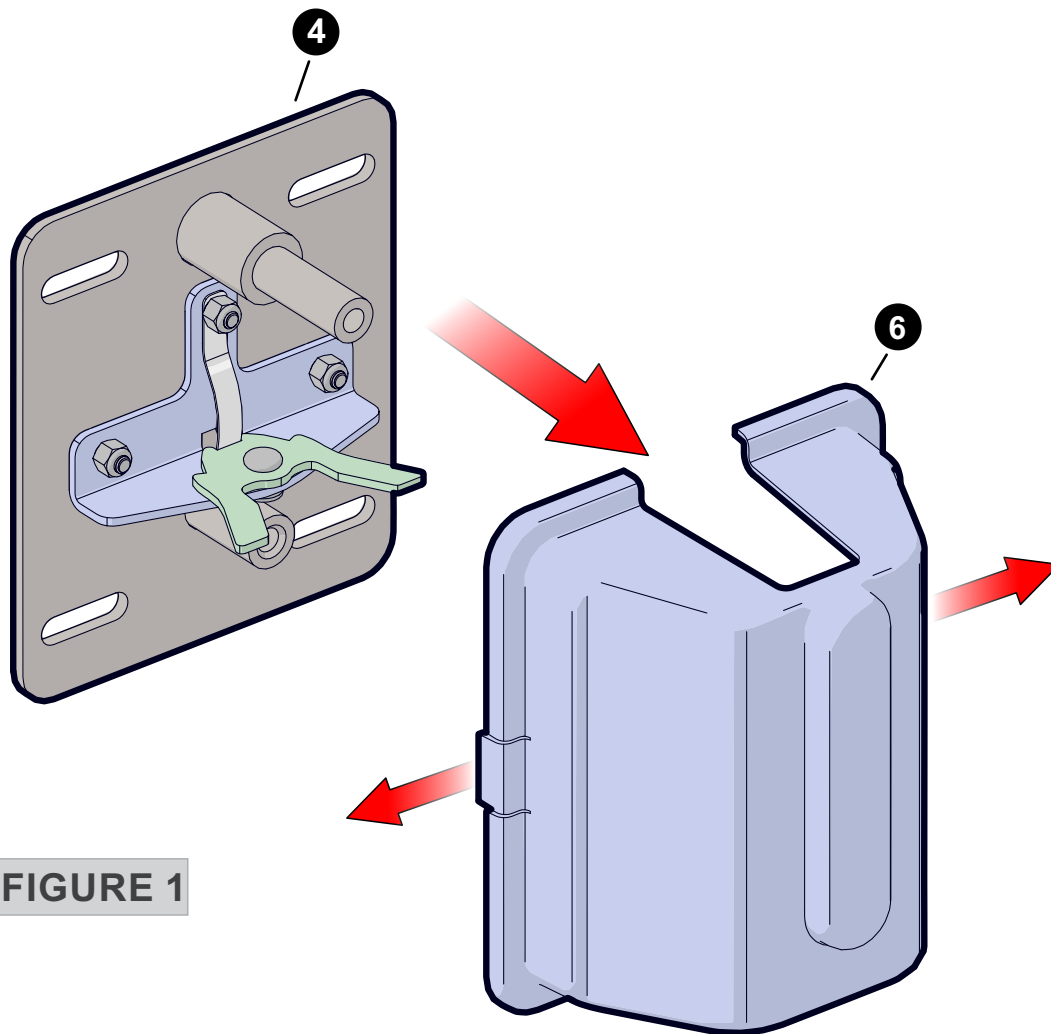
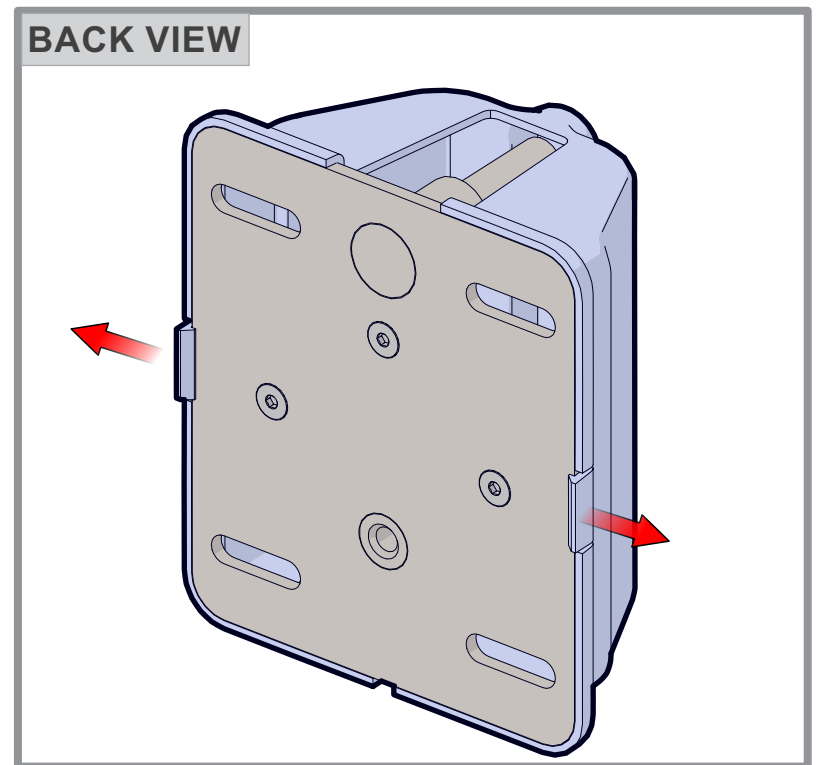


FIGURE 1



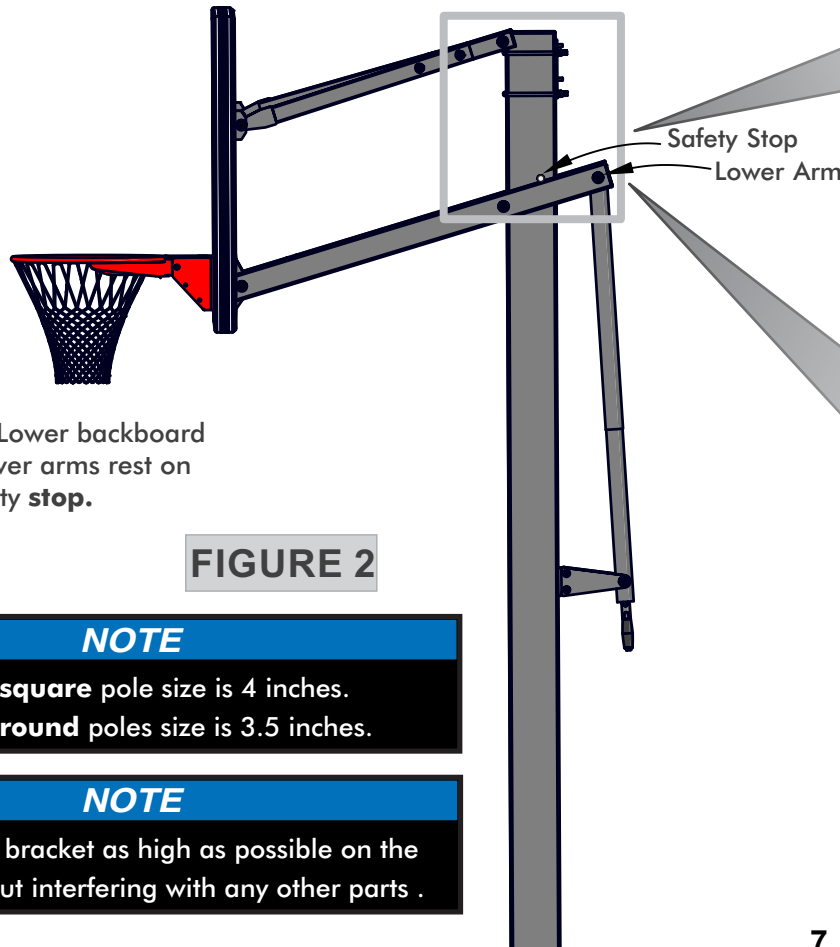
This LED Hoopligh can be mounted on square poles and round poles. Use the #8 U Bolts for a square pole and #9 U Bolts for a round pole. Maximum **square** pole size is 4 inches and the maximum **round** pole size is 3.5 inches.

1. Lower the backboard to the lowest position until the Lower arms touch the safety stop. See **Figure 2**.

NOTE

Make sure your basketball pole is level before mounting the U-bolts & Mounting Plate #4. Mounting Plate #4 must be positioned as shown in **Detail A**.

2. From the front of the pole attach the U-Bolts #8 or #9 onto the pole and through the mounting plate #4. Fasten with Washer #13 and Lock Nuts #12 until the Plate does not slide on the pole but leave it loose enough to level it. Once plate is level, tighten hardware until secure. See **Figure 2 & Detail A-B**.



NOTE: Lower backboard until lower arms rest on the safety stop.

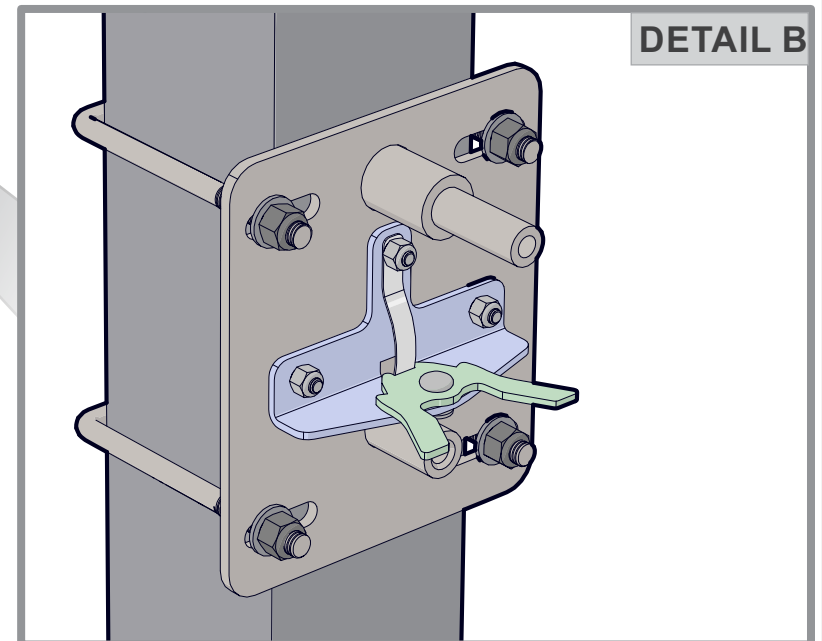
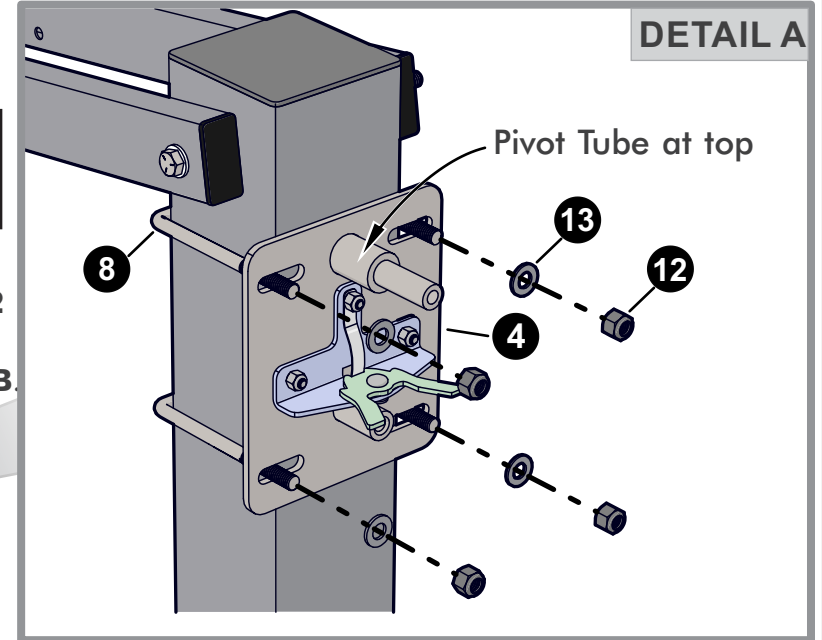
FIGURE 2

NOTE

Maximum **square** pole size is 4 inches.
Maximum **round** poles size is 3.5 inches.

NOTE

Mount the bracket as high as possible on the pole without interfering with any other parts .



3. Determine which side of the pole you have more space to assemble the LED hoop light. The bracket in the shape of an arrow on the mounting plate should point to the area where you have the most room. Press spring lock tab and swing arrow bracket pointing to location with most room for LED light assembly poles. See **Detail A & Figure 3**.

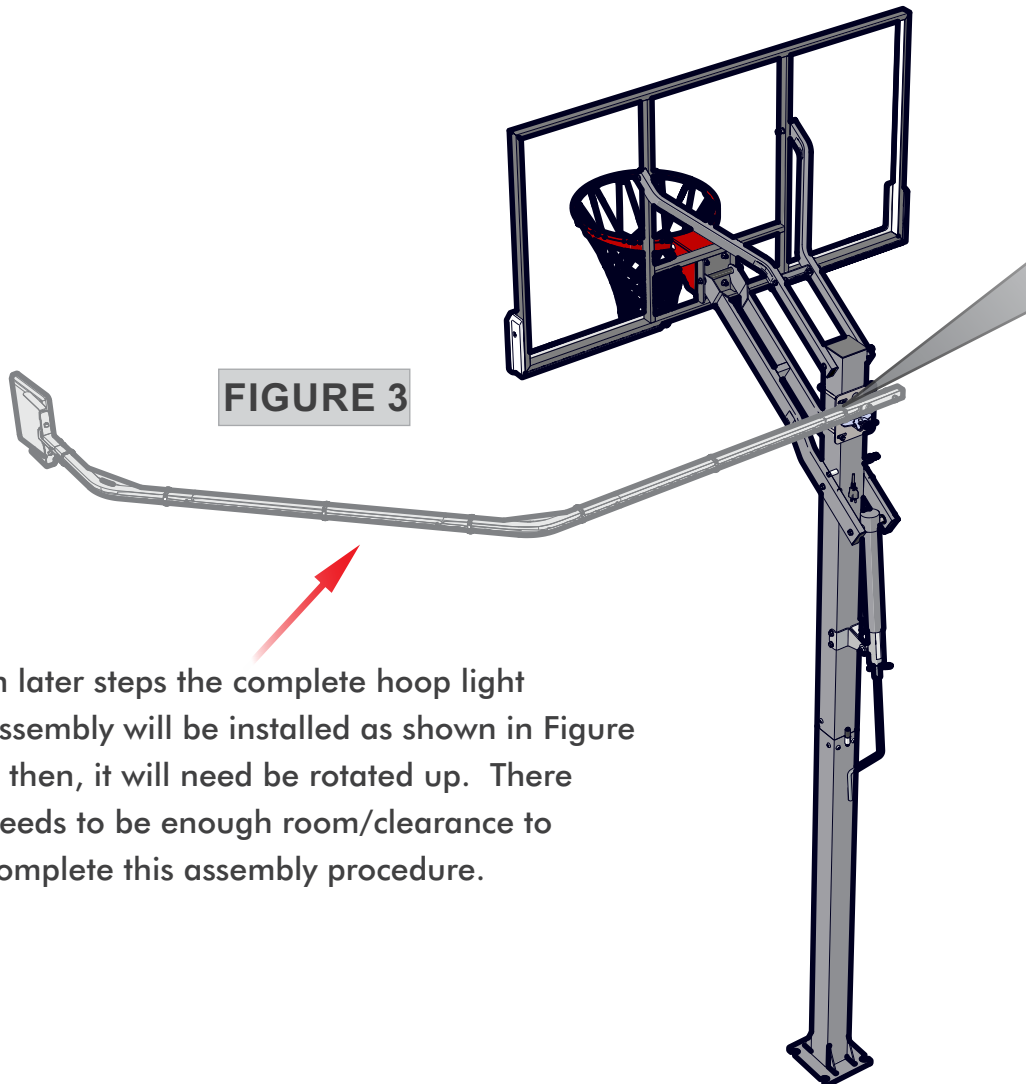
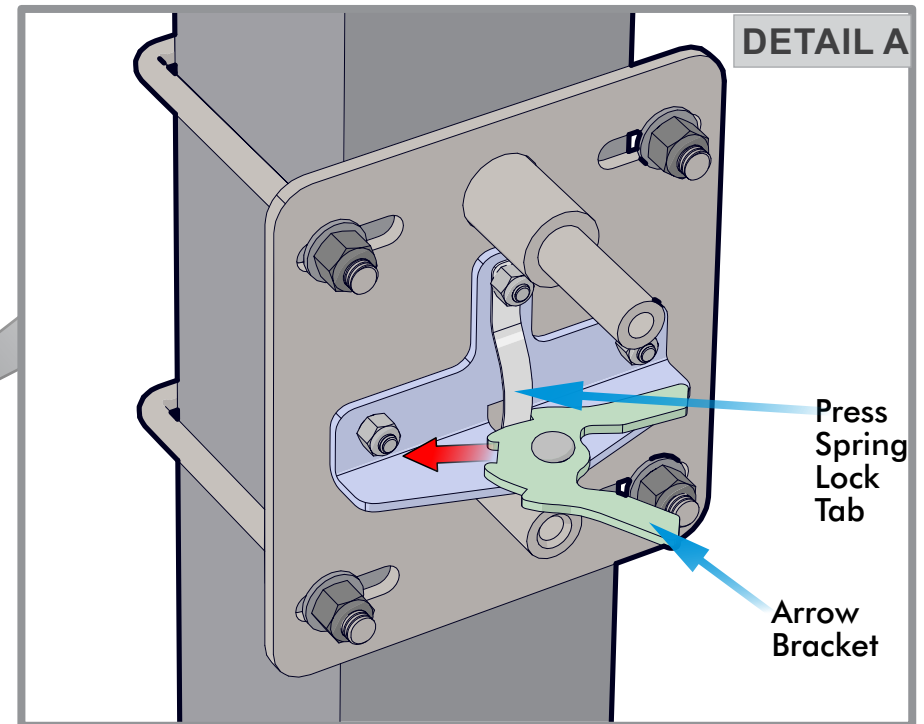


FIGURE 3

In later steps the complete hoop light assembly will be installed as shown in Figure 3 then, it will need to be rotated up. There needs to be enough room/clearance to complete this assembly procedure.



DETAIL A

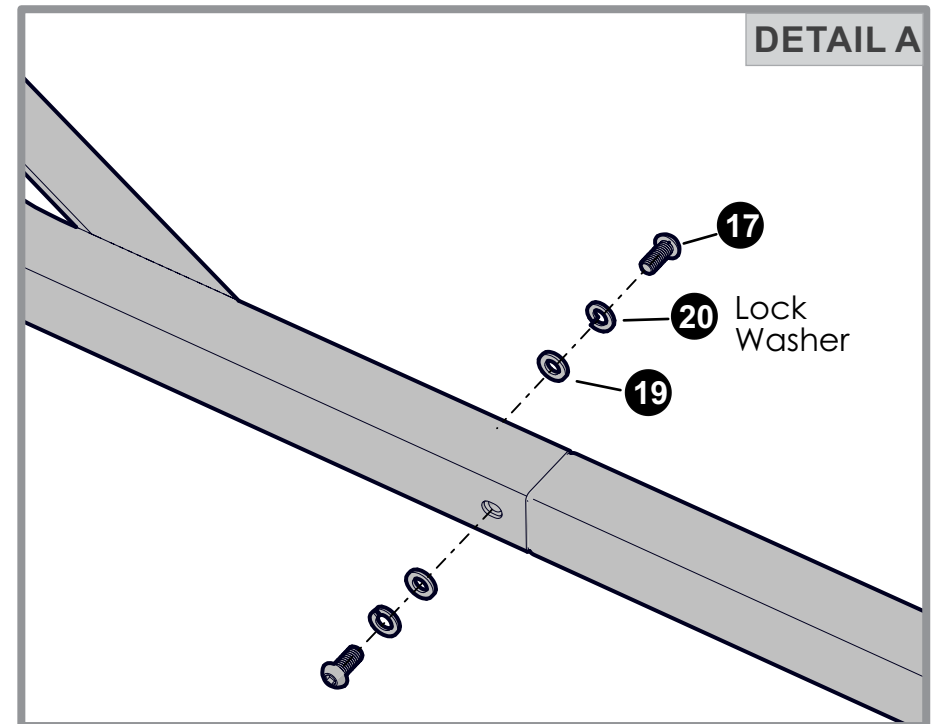
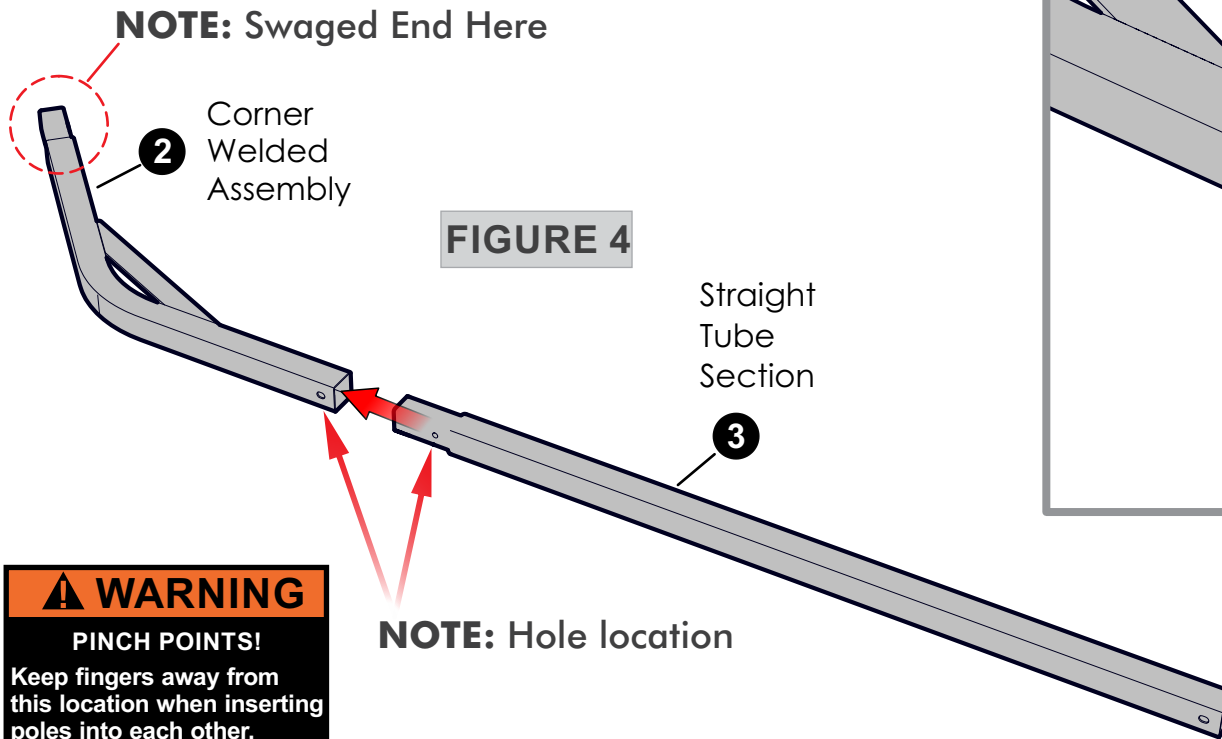
Press
Spring
Lock
Tab

Arrow
Bracket

4. **2X** On a flat surface assemble Poles #2 & #3, fasten with Bolt #17, Lock Washer #20 & Washer #19 as shown in **Figure 4 & Detail A**. Repeat step to make the **second** assembly.

NOTE

Make sure to build assembly on the ground on a flat surface. Lock Washers #20 go between Bolts #17 and Flat Washers #19.



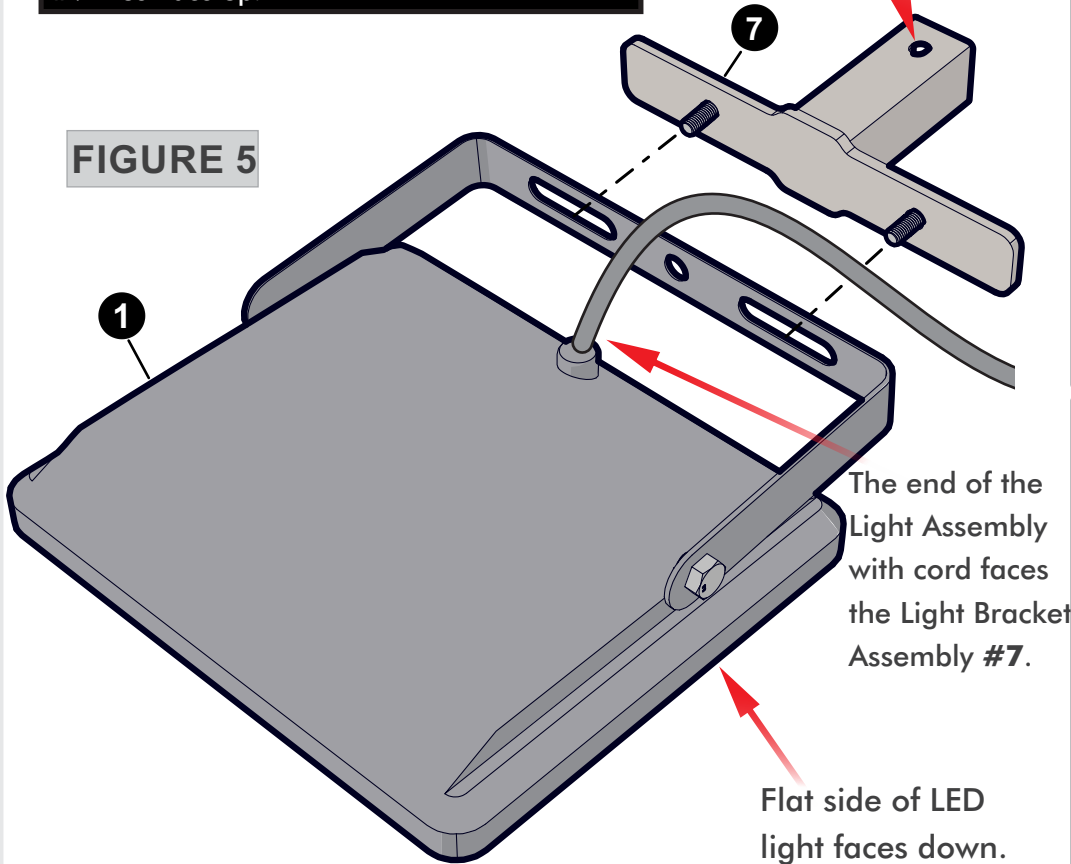
5. Visually center (side to side) the Light Mounting Assembly #7 to LED Light assembly #1 and fasten together. See **Figure 5** & **Detail A**.

NOTE

Make sure the cord on the LED Light assembly #1 is facing the Light Bracket Assembly #7. Hole closest to end on light Bracket Assembly #7 must face up.

The hole closest to the end must face up.

FIGURE 5



The end of the Light Assembly with cord faces the Light Bracket Assembly #7.

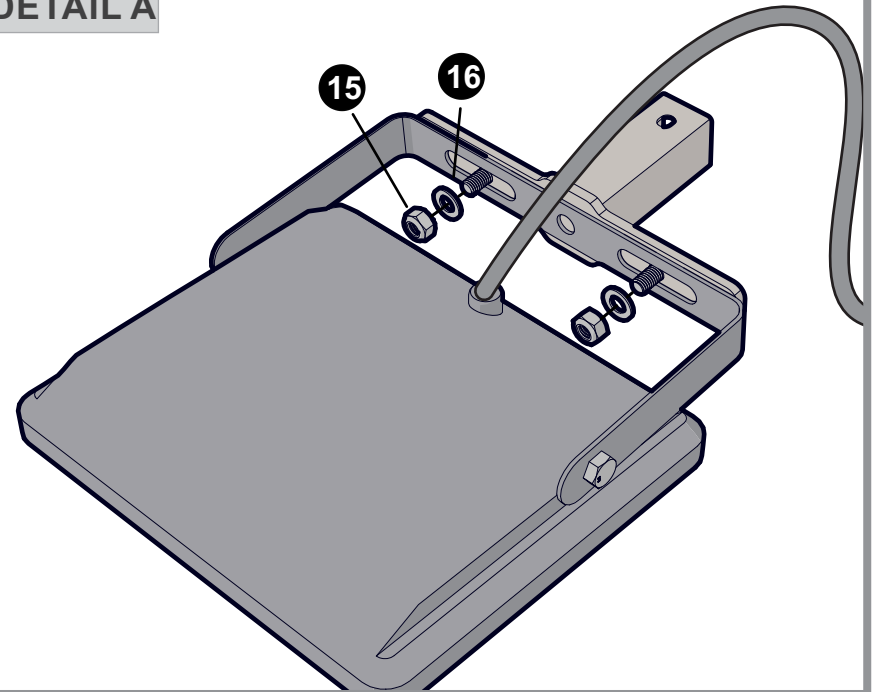
Flat side of LED light faces down.

6. Position Lamp leg **between 5 and 10 degrees** and tighten Bolts to lock at that angle. See **Detail B**.

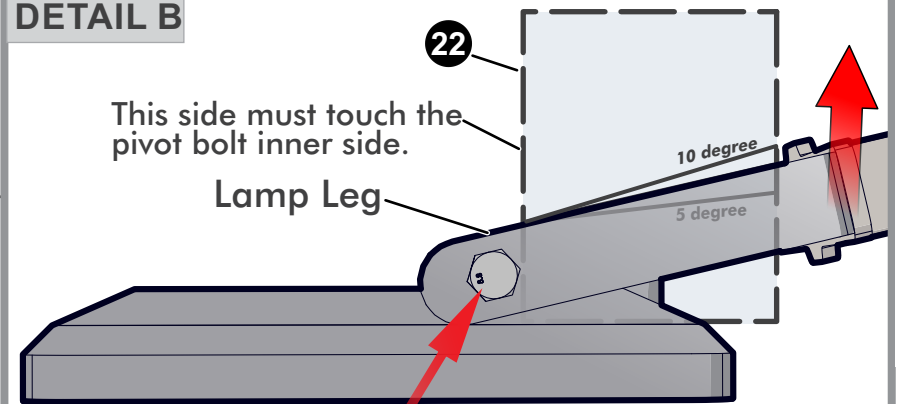
NOTE

Use the reference sheet (item #22) provided.

DETAIL A



DETAIL B



This side must touch the pivot bolt inner side.

Lamp Leg

10 degree

5 degree

Tighten Bolts once the lamp leg top edge is **between 5 and 10 degrees**.

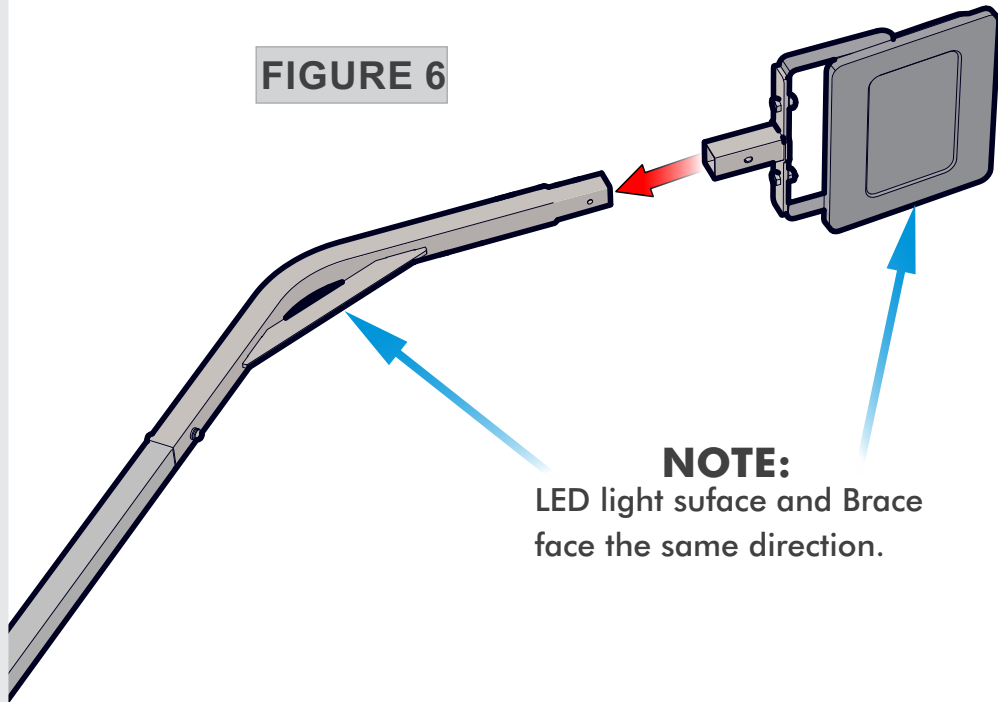
NOTE: Face of #22 guide must be touching the inside surface of **Lamp leg** when adjusting lamp leg degree angle.

7. Attach LED light assembly to either one of the assemblies you put together on page 9. See **Figure 6 & Detail A**.

NOTE

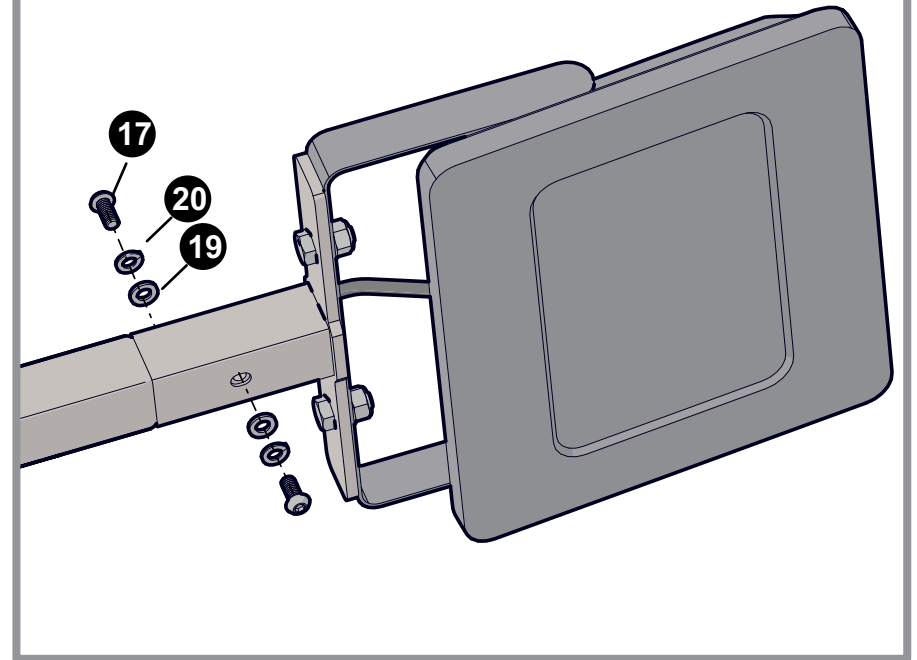
Make sure to build assembly on the ground on a flat surface. Lock Washers #20 go between Bolts #17 and Flat Washers #19.

FIGURE 6



NOTE:
LED light surface and Brace
face the same direction.

DETAIL A



8. Attach three Cord Clips #18 to the pole sections. Slide cord into the clip first then slide onto pole until it clips on and is secure. See **Figure 7, Side View & Detail A.**

NOTE

Slide the power cord to the wire clip first then attach to the pole.

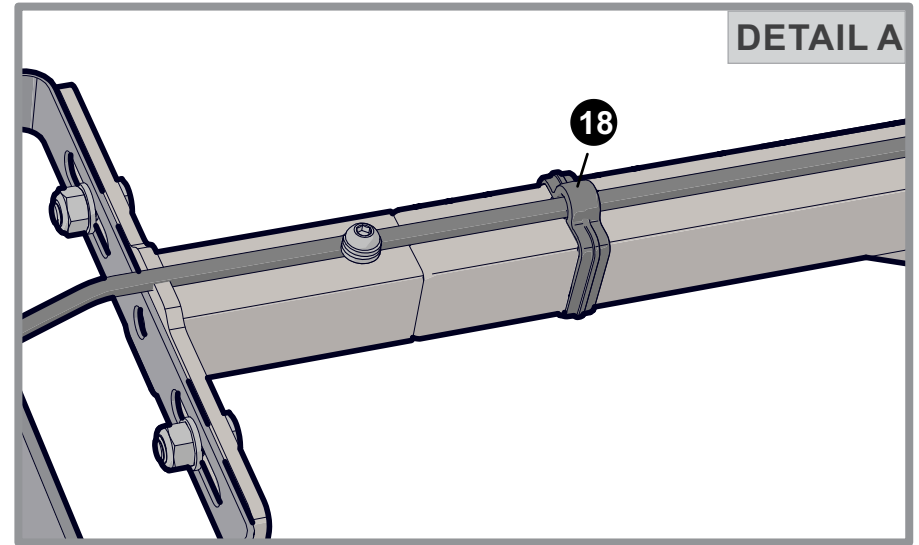
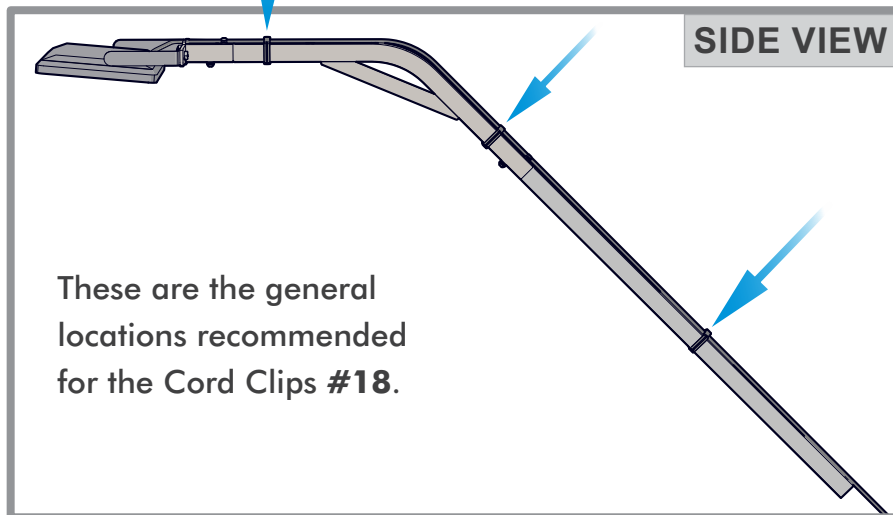
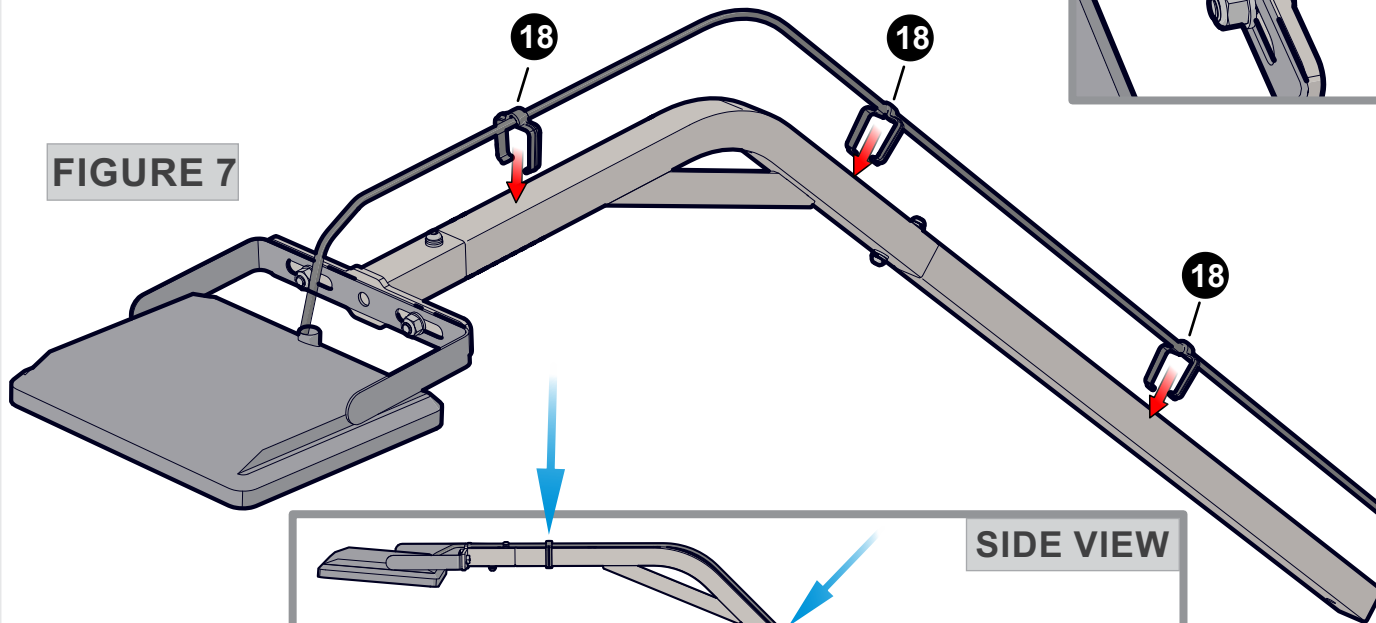


FIGURE 7



9. Attach Pivot Tube Assembly #5 to remaining tube assembly from **step 4, page 9**. See **Figure 8 & Detail A**.

NOTE

Make sure to build assembly on the ground on a flat surface. Lock Washers #20 go between Bolts #17 and Flat Washers #19.

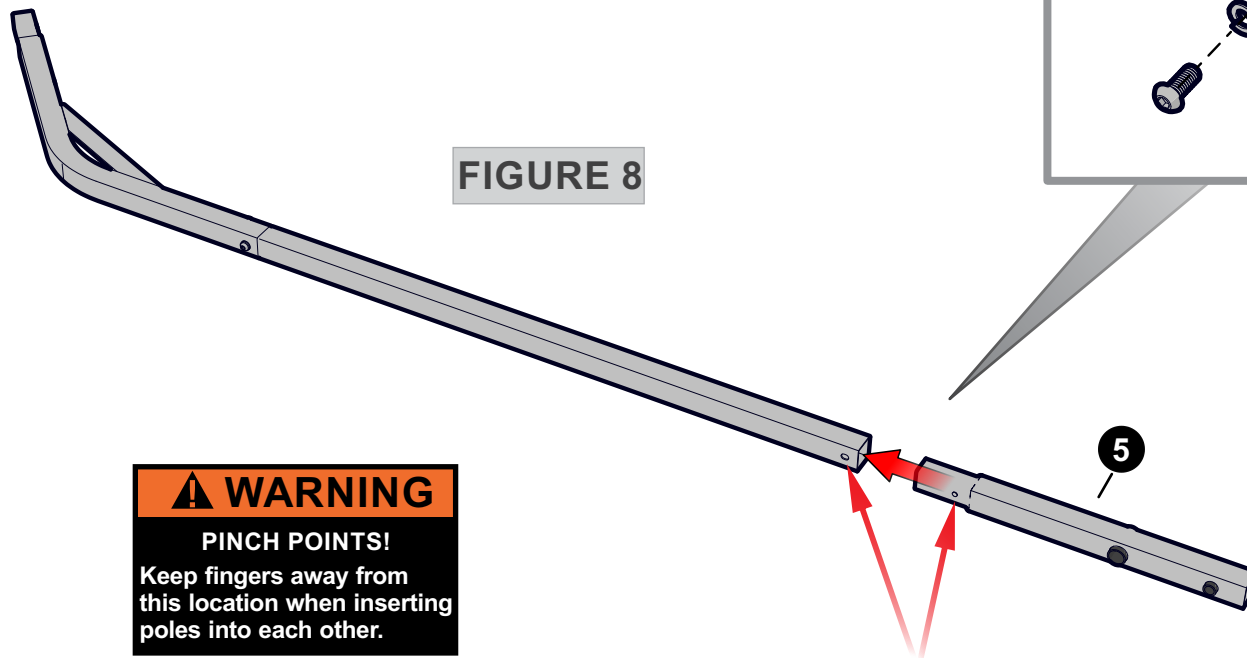
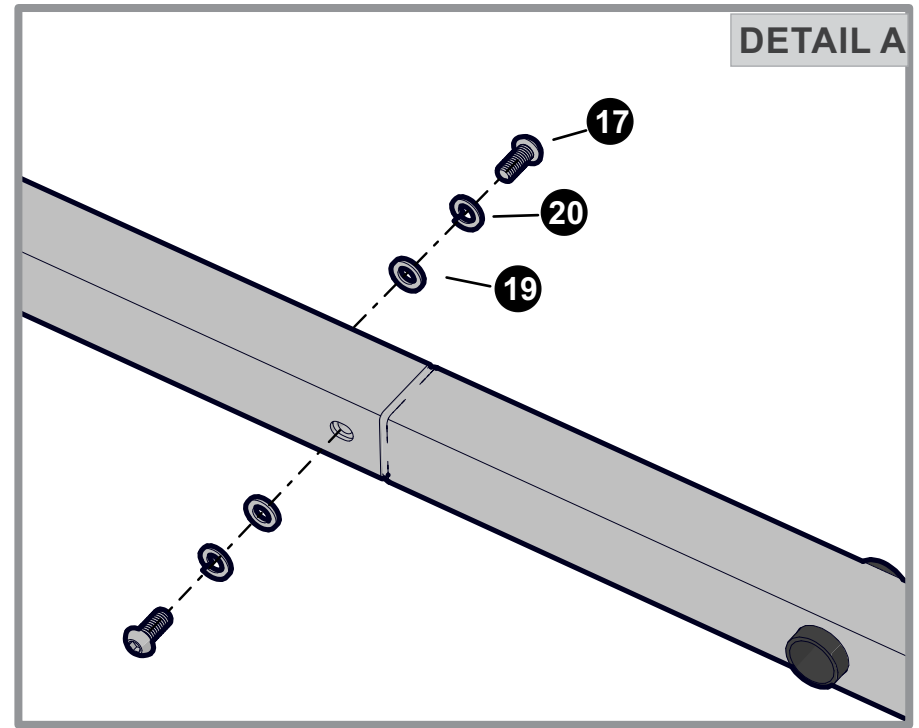


FIGURE 8



DETAIL A

⚠ WARNING
PINCH POINTS!
Keep fingers away from this location when inserting poles into each other.

NOTE: Hole location

10. Attach the light assembly section to the bottom assembly section. See **Figure 9** & **Detail A-B**.

NOTE

Make sure to build assembly on the ground on a flat surface. Lock Washers #20 go between Bolts #17 and Flat Washers #19.

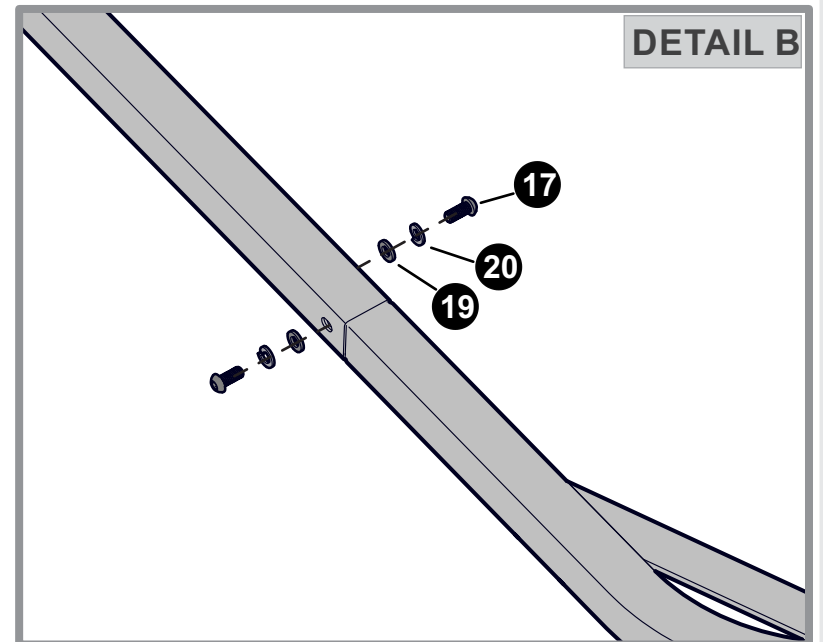
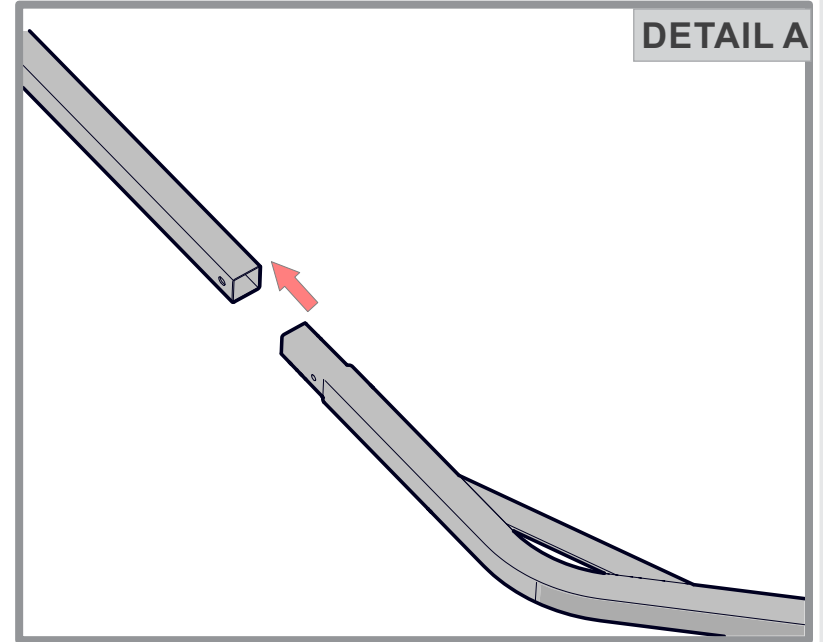
NOTE

Note the location of the Corner support braces. Both braces face the same direction.

FIGURE 9

WARNING

PINCH POINTS!
Keep fingers away from this location when inserting poles into each other.



11. Snap the remaining four Cord Clips #18 to the lower section of the pole. Attach power cord to the wire clip first then attach clips to the pole.

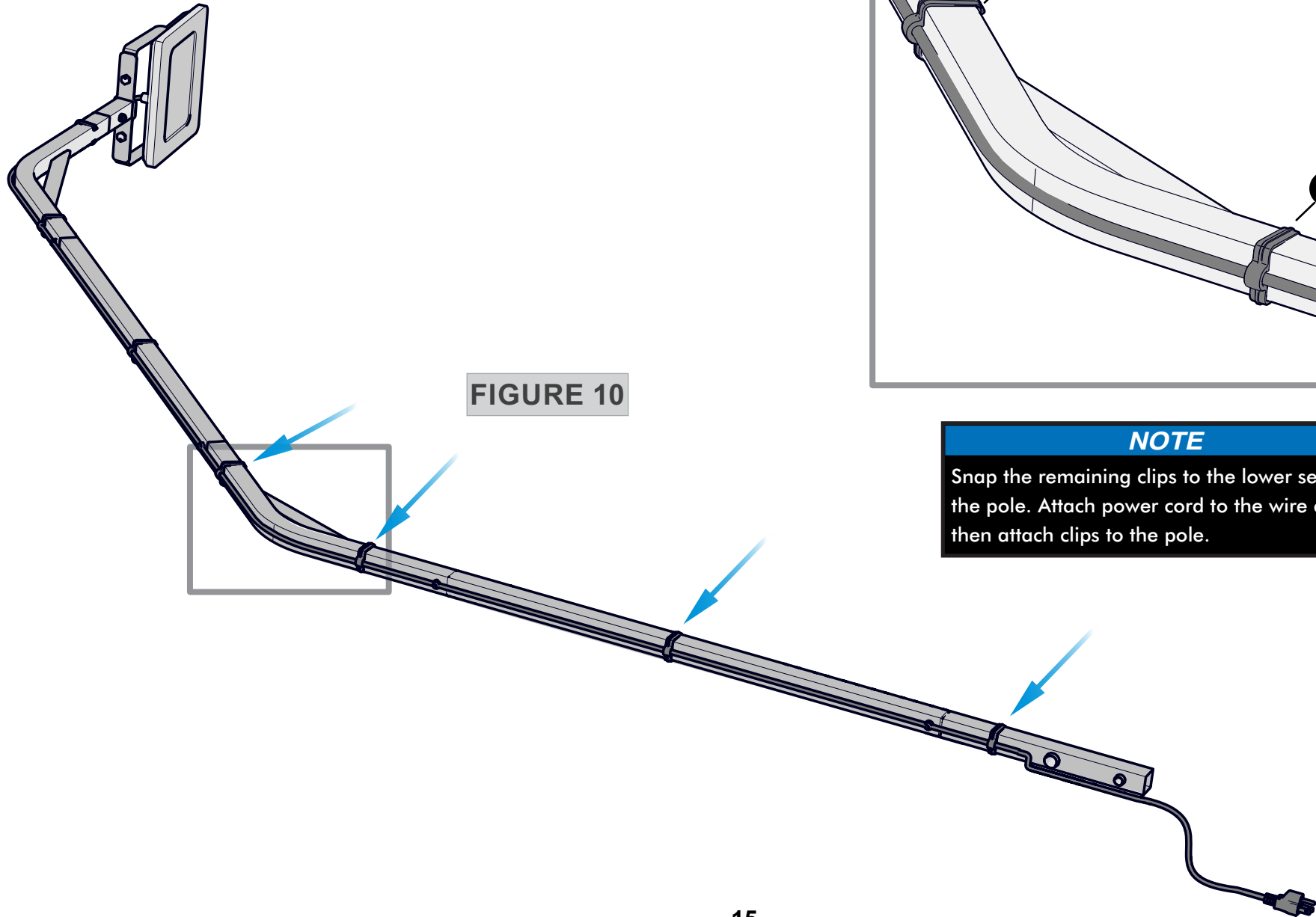
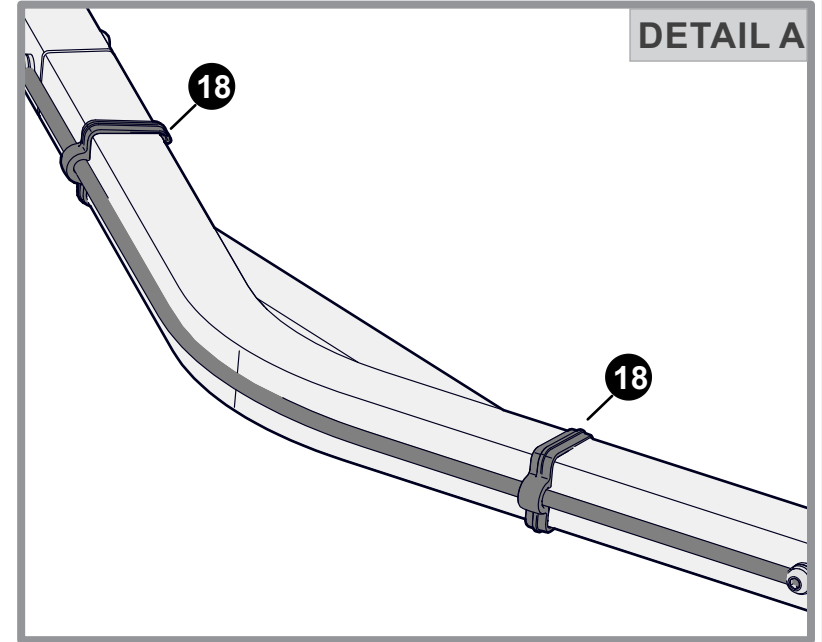


FIGURE 10



NOTE

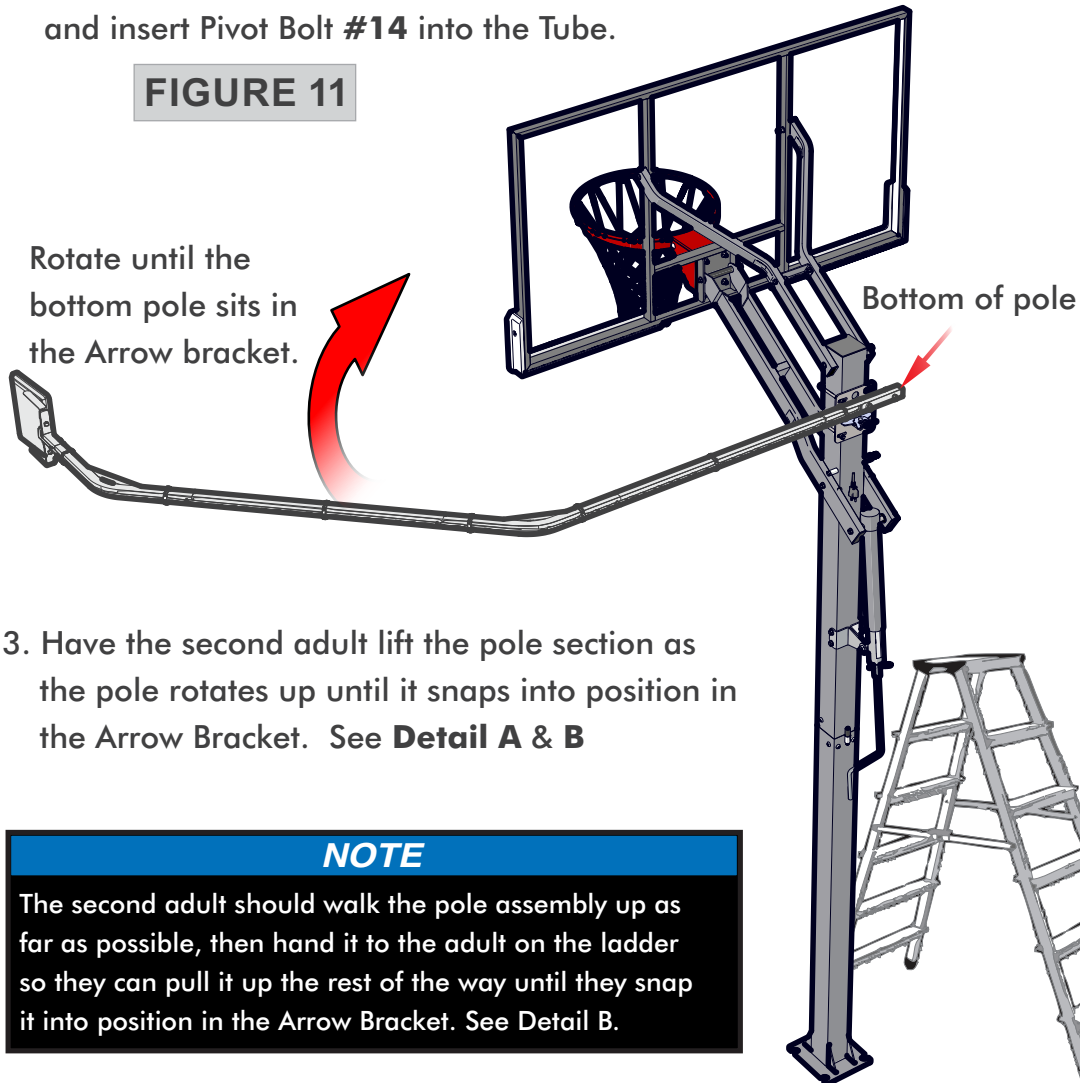
Snap the remaining clips to the lower section of the pole. Attach power cord to the wire clip first then attach clips to the pole.

NOTE

TWO capable adults are required for the following steps. READ AND UNDERSTAND THESE STEPS BEFORE CONTINUING.

12. With one adult on a ladder close to the basketball post, have a second adult on the ground hand the bottom section of the Hoop light pole to the adult on the ladder. Slide the pole into the Pivot Tube on the Mounting Plate on the pole and insert Pivot Bolt #14 into the Tube.

FIGURE 11



13. Have the second adult lift the pole section as the pole rotates up until it snaps into position in the Arrow Bracket. See **Detail A & B**

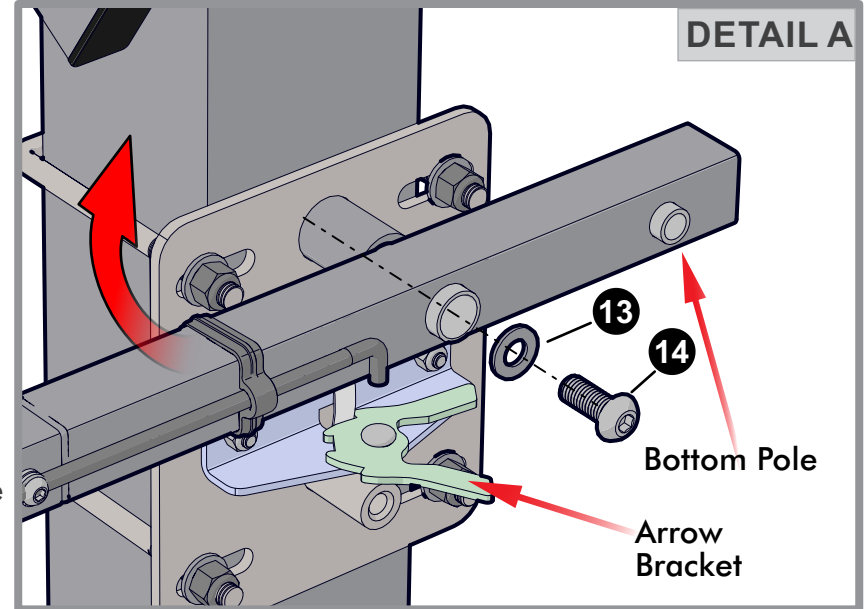
NOTE

The second adult should walk the pole assembly up as far as possible, then hand it to the adult on the ladder so they can pull it up the rest of the way until they snap it into position in the Arrow Bracket. See Detail B.

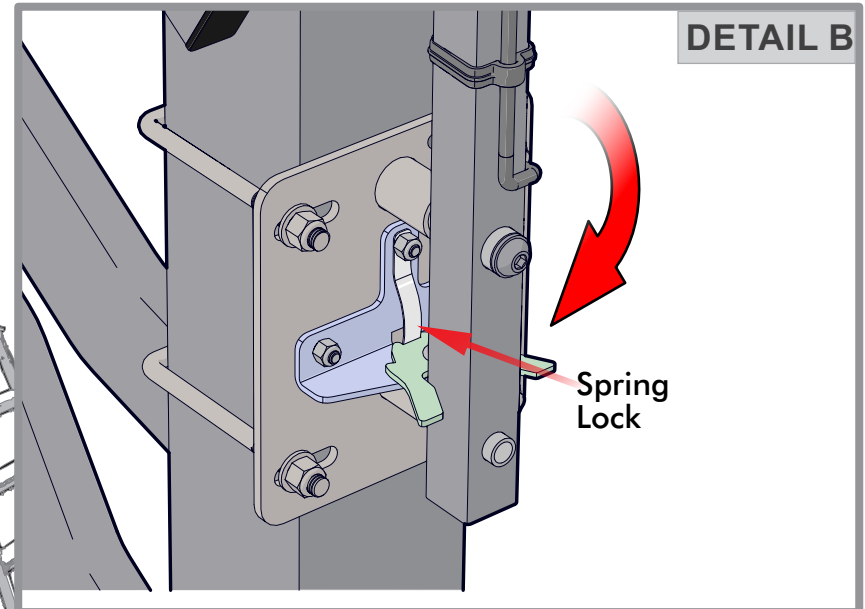
⚠ DANGER ⚡

When raising the Hoop Light, stay clear of all overhead power, electrical, telephone wires, and obstacles. Any contact between the Hoop Light and any of these lines will result in immediate danger.

DETAIL A



DETAIL B



14. Once pole is in the Vertical position, secure it by fastening the bottom of the light pole with **Bolt #11**. See **Detail A**.

NOTE

Make sure to build assembly on the ground on a flat surface.

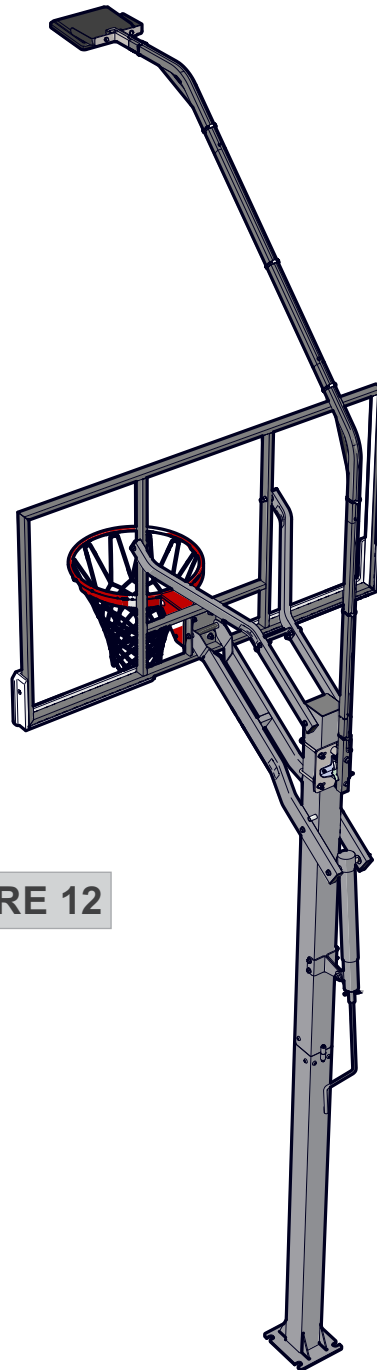
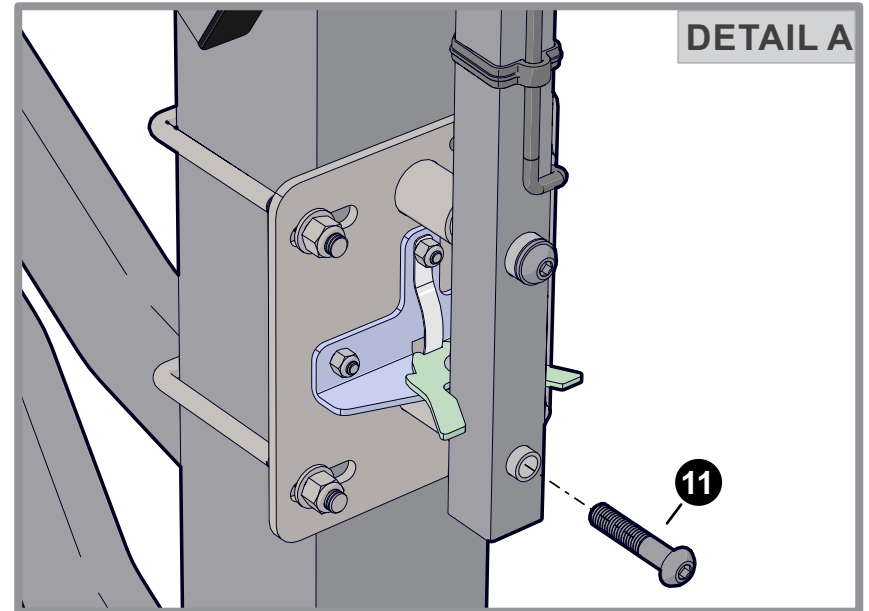


FIGURE 12

WARNING

PINCH POINTS!

Keep fingers away from this location when inserting poles into each other.



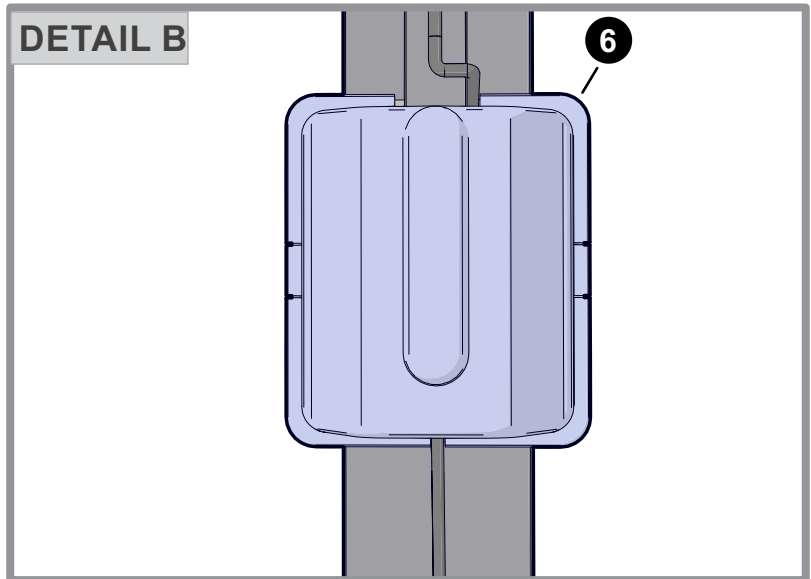
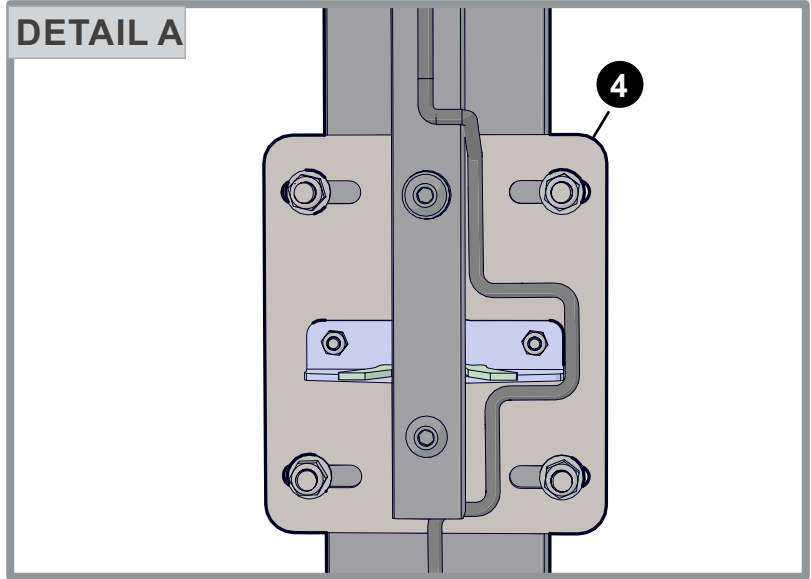
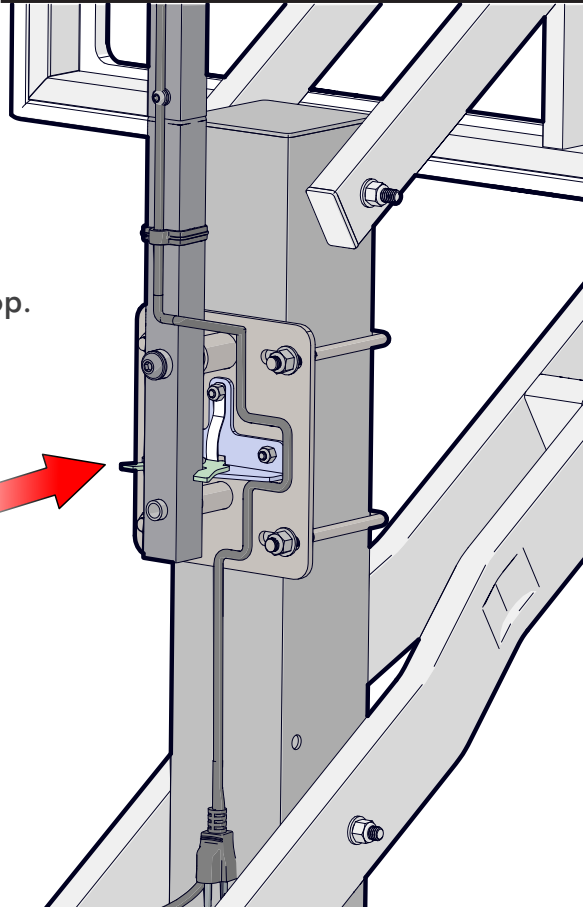
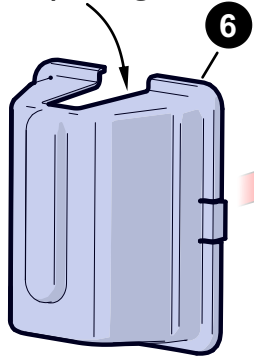
15. Before attaching the Plate Cover #6, run the electrical cord around metal sections of the bracket. See **Detail A**.
16. Snap Plate Cover #6 onto the Mounting Plate #4 until the tabs snap into place. See **Detail B**.

⚠ DANGER ⚡
RISK OF ELECTRIC SHOCK!
Replace damaged cord or plug immediately. If you damage or notice any cut on the cord during any step in the assembly, **DO NOT** continue assembly until Wire is replaced. This product will conduct electricity!

NOTE
Cord notch in the Cover faces down.

FIGURE 13

Large opening at the top.



CAUTION

- DO NOT LOOK DIRECTLY INTO LAMP/LIGHT!
- LAMP SURFACE GETS HOT! UNPLUG LAMP AND ALLOW TO COOL BEFORE TOUCHING THE SURFACE OF THE LAMP.
- NEVER TRY TO OPEN THE LAMP/LIGHT HOUSING!
- DO NOT OPERATE WITH ANY BROKEN PIECES OR DAMAGED CORD!
- THIS IS NOT AN INDOOR LAMP.
- THIS LAMP SHOULD NEVER BE IN OR NEAR A WET SURFACE. NEVER USE NEAR A SWIMMING POOL, HOT TUBE OR SAUNA, OR STANDING BODY OF WATER.
- DO NOT OPERATE THIS LAMP IN THE RAIN!
- ALWAYS INSERT THE PLUG INTO THE OUTLET CAREFULLY.
- WHEN NOT IN USE UNPLUG AND WRAP CORD AROUND THE POST EARS OF THE BASKETBALL SYSTEM. ALWAYS KEEP CORD OFF GROUND OR ANY BODY OF WATER.

CARE AND MAINTANACE INFORMATION

- Clean lamp glass surface using only a 100% Cotton soft cloth and glass cleaner. Clean glass as you would clean household windows. Strong cleansers will damage lights and void warranty.
- Touch up: If any type of touch up is needed for the paint or if rust should appear, remove loose paint, sand lightly, primer and paint with exterior flat matte finish.
- It is recommended to lower your hoop light to the lowest position when it will not be in use for long periods of time, specially during bad weather or very windy conditions.

90 DAY LIMITED WARRANTY

This consumer warranty extends to the original consumer purchase of any ESCALADE SPORTS® Product (hereinafter referred as the "Product").

WARRANTY DURATION: This Product is warranted to the original consumer purchase of a period of ninety (90) days from the original purchase.

WARRANTY COVERAGE: ESCALADE SPORTS warrants to the original Consumer Purchaser that any Product of its manufacture is free from defects in material and workmanship when used for the intended purpose under normal use and conditions. THIS WARRANTY IS VOID IF THE PRODUCT HAS BEEN DAMAGED BY ACCIDENT, UNREASONABLE USE, NEGLIGENCE, IMPROPER SERVICE, FAILURE TO FOLLOW INSTRUCTIONS PROVIDED WITH THE PRODUCT OR OTHER CAUSES NOT ARISING OUT OF DEFECTS IN MATERIAL AND WORKMANSHIP.

WARRANTY PERFORMANCE: During the above ninety (90) day warranty period, ESCALADE SPORTS shall repair or replace with a comparable model, and Product, or component thereof, which may prove defective under normal use and proper care, and which our examination shall disclose to our satisfaction to be thus defective, please contact our Warranty Dept.

1-866-873-3528 / Warranty Dept.

Or Write us at:

Escalade® Sports, Inc. - P.O. Box 889, Evansville, IN 47706 - Attn: Warranty Dept.

Or E-mail us at:

customerservice@escaladesports.com

Other than shipping requirements no charge will be made for such repair or replacement of in-warranty Products. ESCALADE® SPORTS strongly recommends that the Product is insured for value prior to mailing.

WARRANTY DISCLAIMERS: ANY IMPLIED WARRANTIES ARISING OUT OF THIS SALE, INCLUDING BUT NOT LIMITED TO THE IMPLIED WARRANTIES OF MERCHANTABILITY AND FITNESS FOR A PARTICULAR PURPOSE, ARE LIMITED IN DURATION TO THE ABOVE NINETY (90) DAY WARRANTY PERIOD. ESCALADE® SPORTS SHALL NOT BE LIABLE FOR LOSS OF USE OF THE PRODUCT OR OTHER CONSEQUENTIAL OR INCIDENTAL COSTS, EXPENSES OR DAMAGES INCURRED BY THE CONSUMER OF ANY OTHER USE.

Some states do not allow the exclusion or limitation of implied warranties or consequential or incidental damages, so the above limitations or exclusions may not apply to you.

LEGAL REMEDIES: This warranty gives you specific legal rights and you may also have other rights which may vary from state to state.