



Mariposa®
72" x 36" drop-in bath
K-1259

Features

- 72"L x 36"W x 20"H
- A builder favorite designed for quick and easy installation
- Textured bottom surface

Material

- Acrylic

Installation

- Drop-in

Recommended Products/Accessories

- K-1491 Bath/Whirlpool Pillow
- K-1601 Bath/whirlpool footstop, removable
- K-7214 27" Cable Bath Drain
- K-7259 Brass toe tap bath drain
- K-23726 Drain treatment



Codes/Standards

- CSA B45.5/IAPMO Z124
- ASTM E162
- ASTM E662


**KOHLER® Plastic Baths and Shower
Bases Lifetime Limited Warranty**

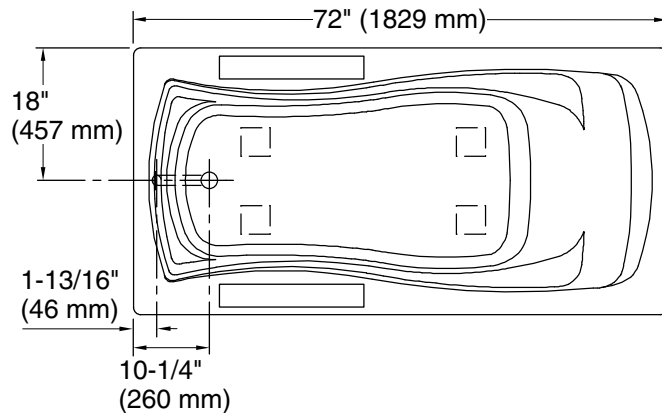
See website for detailed warranty information.

Available Colors/Finishes

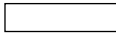
Color tiles intended for reference only.

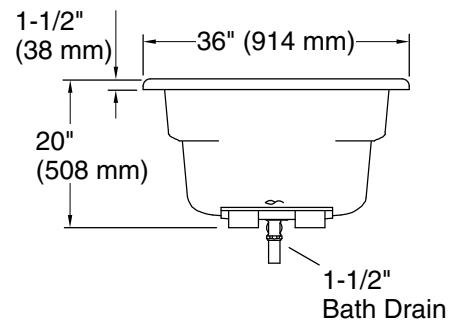
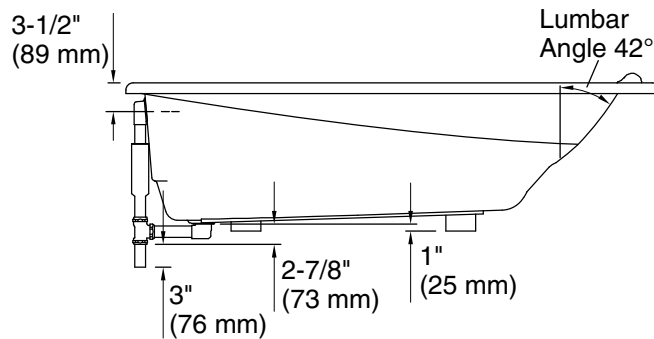
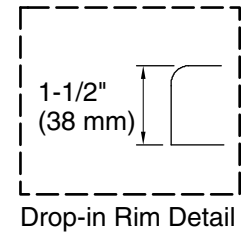
Color Code Description

| | | |
|---|---|-------|
|  | 0 | White |
|---|---|-------|



No change in measurements if connected with drain illustrated. (K-7166-AF)

 Recommended Faucet Location



Technical Information

All product dimensions are nominal.

| | |
|------------------------|---|
| Drain location: | Reversible |
| Basin area, bottom: | 50" x 24" (1270 mm x 610 mm) |
| Basin area, top: | 65" x 27" (1651 mm x 686 mm) |
| Weight: | 77 lbs (34.9 kg) |
| Minimum floor load: | 39 lbs/ft ² (190.4 kg/m ²) |
| Water depth: | 14" (356 mm) |
| Water capacity: | 72 gal (272.5 L) |
| Cutout: | Drop-in, 70" x 34" (1778 mm x 864 mm) |
| Minimum flat for door: | 2-1/8" (54 mm) |

Notes

Measure your actual product for rough-in details.

Install this product according to the installation instructions.

The hot water supply should be 70% of the capacity of the bath or greater. Installations will vary.

If installing a rim-mount faucet, make sure there is no interference above or below the deck before drilling any holes.